



A TEREX BRAND

Parts Manual

Serial Number Range

S-80

from SN 966 to 3081

S-85

Part No. 65615

Rev E27

January 2015

Technical Publications

Genie has endeavored to deliver the highest degree of accuracy possible. However, continuous improvement of our products is a Genie policy. Therefore, product specifications are subject to change without notice.

Readers are encouraged to notify Genie of errors and send in suggestions for improvement. All communications will be carefully considered for future printings of this and all other manuals.

Contact Us:

<http://www.genielift.com>
 e-mail: awp.techpub@terex.com

Serial Number Information


Genie offers the following Parts Manuals for these models:

Title	Part No
Genie S-80 and S-85 Parts Manual (to serial number 965)	34033
Genie S-80 and S-85 Parts Manual (from serial number 966 to 3081)	65615
Genie S-80 and S-85 Parts Manual (from serial number 3082 to 7999)	77810
Genie S-80 and S-85 Parts Manual (from serial number 8000)	111335

Copyright © 2011 Terex Corporation

65615 Rev E November 2009
 Second Edition, Fifth Printing

Genie is a registered trademark of Terex South Dakota, Inc. in the USA and many other countries. "S" is a trademark of Terex South Dakota, Inc.

 Printed on recycled paper

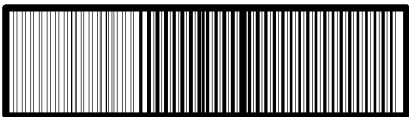


A TEREX BRAND

Model: S-80
Serial number: S8006-12345
Model year: 2008 **Manufacture date:** 07/05/08
Electrical schematic number: ES0274
Machine unladen weight:

Rated work load (including occupants): 500 lb / 227 kg
Maximum number of platform occupants: 2
Maximum allowable side force : 150 lb / 670 N
Maximum allowable inclination of the chassis:
0 deg
Maximum wind speed : 28 mph/ 12.5 m/s
Maximum platform height : 80 ft/ 24.38 m
Maximum platform reach : 72 ft 5 in/ 22.07 m
Gradeability: N/A
Country of manufacture: USA
This machine complies with:
ANSI A92.5
CAN B.354.4

Terex South Dakota, Inc.
18340 NE 76th Street
Redmond, WA 98052
USA



00000000000000

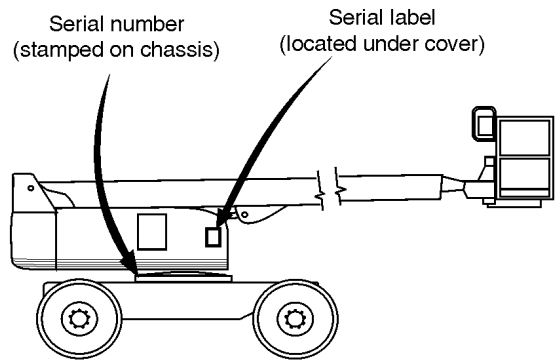
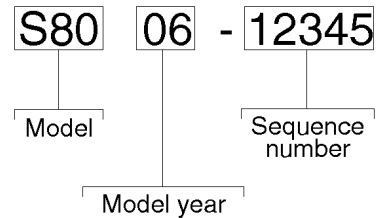
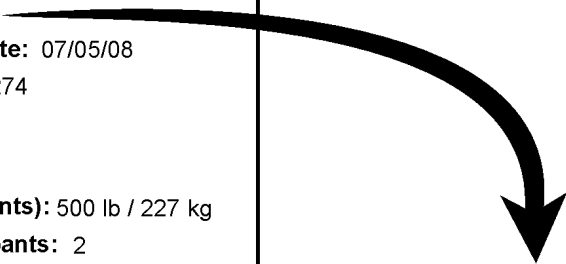


Table of Contents

This manual is updated frequently. If you have a printed manual, you can keep it up to date by downloading new figures from the Genie website at www.genielift.com. For the most up-to-date parts information, visit the Parts Lookup System on the Genie website at www.genielift.com.

How to Read Your Serial Number.....3
 Parts Stocking List.....7
 How to Order Parts.....8
 Service Parts Fax Order Form.....9

Electronic Version

Click on any page number to view the figure.

100 Decals

101.1 Decals.....10

200 2WD Drive Chassis Components

201.1 Steer Axle Linkage.....14
 202.1 Extendable Steer Axle Installation.....16
 203.1 Steering Wheels and Hubs.....18
 204.1 Drive Manifold, 2WD.....20
 205.1 Chassis Jack and Axle Extend Dump Manifolds.....22
 206.1 Non-Steer Axle Wheel Drive (to SN 2732).....24
 206.2 Non-Steer Axle Wheel Drive (from SN 2733).....28
 207.1 Extendable Non-Steer Axle Installation.....30
 208.1 Extendable Axle Hydraulic Limit Switch Installation...32
 209.1 Hydraulic Hoses and Fittings - Drive and Steer System.....34
 210.1 Hydraulic Hoses and Fittings - Extendable Axle System.....38

300 4WD Drive Chassis Components

301.1 Steer Axle Linkage.....42
 302.1 Extendable Steer Axle Installation.....44
 303.1 Steer Axle Wheel Drive.....46
 304.1 4WD Drive Manifold (to SN 2648).....48
 304.2 4WD Drive Manifold (from SN 2649).....50
 305.1 Chassis Jack and Axle Extend Dump Manifolds.....52
 306.1 Non-steer Axle, Wheels and Hubs (to SN 2732).....54
 306.2 Non-steer Axle, Wheels and Hubs (from SN 2733).....58
 307.1 Extendable Non-Steer Axle Installation.....60
 308.1 Extendable Axle Hydraulic Limit Switch Installation...62
 309.1 Hydraulic Hoses and Fittings - Drive and Steer System.....64

310.1 Hydraulic Hoses and Fittings - Extendable Axle System.....70

400 Engine Components

401.1 Ford LRG-425 EFI Engine - View 1 (to SN 2971).....74
 401.2 Ford LRG-425 EFI Engine - View 1 (from SN 2972)...78
 402.1 Ford LRG-425 EFI Engine - View 2.....82
 403.1 Ford LRG-425 EFI Engine - View 3.....86
 404.1 Deutz F4L 1011F Engine - View 1.....88
 405.1 Deutz F4L 1011F Engine - View 2.....90
 406.1 Deutz F4L 1011F Engine - View 3.....92
 407.1 Perkins 704-30 Engine - View 1.....96
 408.1 Perkins 704-30 Engine - View 2.....98
 409.1 Perkins 704-30 Engine - View 3.....100
 410.1 Perkins 704-30 Engine - View 4.....102
 411.1 Perkins 704-30 Engine - View 5.....104

500 Turntable Components

501.1 Hydraulic and Fuel Tanks - Gasoline/LPG Models (with metal fuel tank).....106
 502.1 Hydraulic and Fuel Tanks - Gasoline/LPG Models (with plastic fuel tank).....108
 503.1 Hydraulic and Fuel Tanks - Diesel Models (with metal fuel tank).....110
 504.1 Hydraulic and Fuel Tanks - Diesel Models (with plastic fuel tank).....112
 505.1 Function Manifold and Auxiliary Power Unit Installation.....114
 506.1 Function Manifold.....118
 507.1 Turntable Rotator and Hydraulic Rotary Coupler Installation (to SN 2919).....122
 507.2 Turntable Rotator and Hydraulic Rotary Coupler Installation (from SN 2920).....126
 508.1 Ground Controls - View 1.....130
 509.1 Ground Controls - View 2.....132
 510.1 Turntable Covers - View 1.....136
 511.1 Turntable Covers - View 2.....138
 512.1 Turntable Covers and Hydraulic Oil Cooler Option - View 3.....140
 513.1 Hydraulic Hoses and Fittings (to SN 2919).....142
 513.2 Hydraulic Hoses and Fittings (from SN 2920).....148

600 Boom Components

601.1 Boom Installation.....154
 602.1 Extension Boom - View 1.....156
 603.1 Extension Boom - View 2.....158
 604.1 Extension Cylinder Assembly.....160
 605.1 Cable Track Installation.....162
 606.1 Slave Cylinder and Platform Rotator (to SN 2704)...166

606.2 Slave Cylinder and Platform Rotator (from SN 2705).....	170
607.1 Jib Boom and Platform Rotator (to SN 2704).....	172
607.2 Jib Boom and Platform Rotator (from SN 2705).....	176
608.1 Hydraulic Hoses and Fittings - Boom Components (to SN 2704).....	178
608.2 Hydraulic Hoses and Fittings - Boom Components (from SN 2705).....	180
609.1 Hydraulic Hoses and Fittings - Boom Components (to SN 2704).....	182
609.2 Hydraulic Hoses and Fittings - Boom Components (from SN 2705).....	184
610.1 Jib Detail.....	186
611.1 Platform Installation.....	188

700 Platform Components

701.1 Platform Installation (to SN 2848).....	190
701.2 Platform Installation (from SN 2849).....	192
702.1 Platform Controls - View 1.....	194
703.1 Platform Controls - View 1.....	196
704.1 Platform Controls - View 2.....	198
705.1 Joystick Controller - Drive/Steer Functions.....	202
706.1 Joystick Controller - Boom Extend/Retract Functions.....	204
707.1 Joystick Controller - Boom Up/Down and Turntable Rotate Functions.....	206

800 Accessories

801.1 Alarm and Beacon Package.....	208
802.1 Platform Options.....	210
803.1 Airline to Platform.....	212
804.1 Generator and Spare LPG Tank.....	214
805.1 Hydraulic Hoses and Fittings - Generator Option.....	218
806.1 Cold Start Package.....	220
807.1 Hostile Environment Package - Cylinders Bellows.....	222
808.1 Hostile Environment Package - Turntable.....	224
809.1 Hostile Environment Package - Boom and Turntable Covers.....	226
810.1 Hostile Environment Package - Cable Track.....	228
811.1 Hostile Environment Package - Engine Air Cleaner.....	230
812.1 Drive Light Option.....	232
813.1 Load Sensor Option.....	234

Indices

Part Number Index.....	236
Part Description Index.....	243

Cross References

Fittings Cross Reference.....	254
-------------------------------	-----

Required Parts

The following parts are required to perform maintenance procedures as outlined in the *Genie S-80 and S-85 Service Manual*.

Perkins 704-30 Models

Description	Part No.
Air Filter	62420
Fuel Filter Element	62421
Fuel/water Separator Filter	65853
Engine Oil Filter	62422
V-belt	62423

Deutz F4L-1011F Models

Description	Part No.
Air Filter	62420
Fuel/water Separator Filter	29560
Engine Oil Filter	62430
V-belt	32698

Ford LRG-425 Models:

Description	Part No.
Fuel Pre-Filter	52179
Fuel Pressure Regulator Filter	58967
Engine Oil Filter	28656
Air Filter	77295
Serpentine Belt	52580
PCV Valve	33957
Spark Plug (pack of 4)	106490

Recommended Parts

Description	Part No.
Genie Blue Paint, 1 Gallon	32150
Genie Blue Paint, 12 Ounce Aerosol	1484
Genie Gray Paint, 1 Gallon	32151
Genie Gray Paint, 12 Ounce Aerosol	1268

Manuals

Genie Industries offers the following support documents for these models:

Title	Part No.
Genie S-80 and S-85 Operator's Manual (from serial number 488 to 3081)	43650
Genie S-80 and S-85 Service Manual (from serial number 966 to 3081)	72062
EMI Safety Manual	27581
Manual of Responsibilities ANSI A92.5	31779

How To Order Parts

Please be prepared with the following information when ordering replacement parts for your Terex or Genie product:

- Machine model number
- Machine serial number
- Part number
- Part description and quantity
- Purchase order number
- "Ship to" address
- Desired method of shipment
- Name and telephone number of the authorized distributor in your area

Use the Service Parts Fax Order Form on the next page and fax your order to our Parts Department.

If you don't know the name of your authorized distributor, or if your area is not currently serviced by an authorized distributor, please call Terex or Genie Industries.

Machine Information

Model

Serial Number

Date of Purchase

Authorized Genie Distributor

Phone Number

North America

Telephone (425) 556-6551
 Toll Free (877) 367-5606 in U.S.A. and Canada
 Fax (425) 556-8659
 Toll Free Fax (888) 274-6192

Europe

Parts Telephone (31) (165) 519 313
 Parts Fax (31) (165) 511 148

Australia

Parts Telephone (61) (7) 3456 4444
 Parts Fax (61) (7) 3456 4466

South America

Parts Telephone (55) (11) 4082 5600
 Parts Fax (55) (11) 4082 5630

Service Parts Fax Order Form

Fax to: (425) 556-8659 or Toll Free: 888-274-6192
International: +1-425-556-8659



Please fill out completely

Date _____	Account Number _____
Your Name _____	Your Fax Number _____
_____	Your Phone Number _____
Bill To _____	Ship To _____
_____	_____
_____	_____
_____	_____
Purchase Order Number _____	Ship Via _____

Model(s) _____ Serial No.(s) _____

Optional Equipment _____

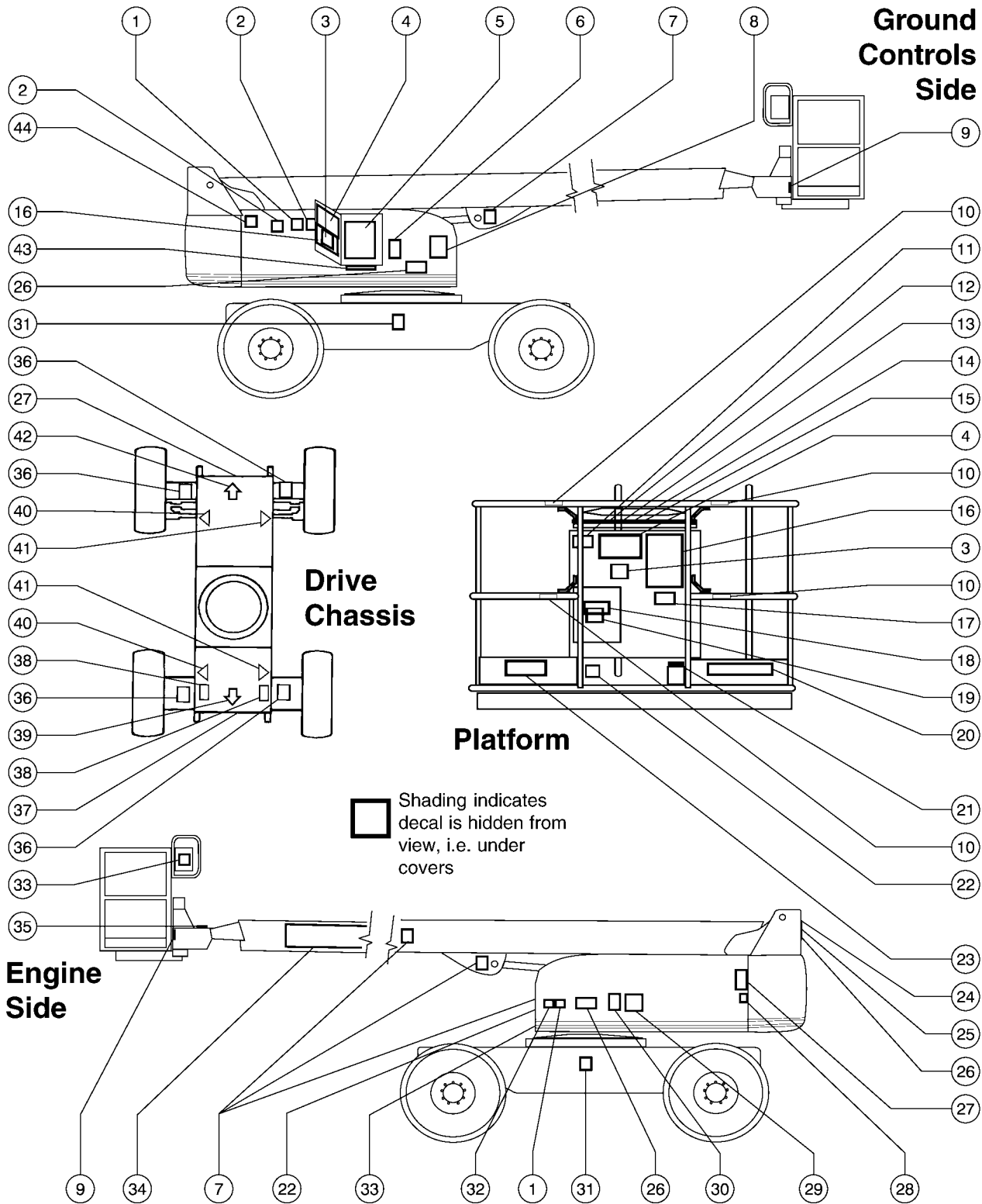
Part Number	Description	Quantity	Price

All back-ordered parts will be shipped when available via the same ship method as the original order unless Noted below:

- Ship complete order only - No back orders
- Ship all available parts and contact customer on disposition of back-ordered parts
- Other (please specify)



101.1 Decals



101.1 Decals

Item	Part No.	Description	Qty.	Item	Part No.	Description	Qty.
--	1268	PAINT,AEROSOL,GENIE GRAY***		16	97890	DECAL,DANGER,GEN SAFETY RULES.....	2
--	1484	PAINT,AEROSOL,BRIGHT BLUE***		17	43595	DECAL,DANGER,TIP-OVER,TIRES***.1	
--	32150	PAINT,WET,GENIE BLUE (1 GL)**		18	28236	DECAL,WARN,IMPROPER OPERATION.....	1
--	32151	PAINT,WET,GENIE GRAY (1 GL)**		19	28176	DECAL,LABEL,MANUAL NOT HERE.....	1
--	62245	DECAL KIT,INSTRUCT,S80/85GAS Gasoline/LPG models; kit does not include index numbers 8, 12, 13, 14, 17, 20, 22, 23, 25, 28, 33, 34 and 37		20	30080	DECAL,NOTICE,MAX LOAD 500 LBS.....	1
--	62246	DECAL KIT,INSTRUCT,S80/85DIESEL Diesel models; kit does not include index numbers 8, 12, 13, 14, 17, 20, 22, 23, 25, 32, 33, 34 and 37		--	32998	DECAL,NOTICE,MAX LOAD 600 LBS.....	1
1	28171	DECAL,DANGER,NO SMOKING***.....	2	--	43594	DECAL,NOTICE,MAX LOAD 750 LBS.....	1
2	28158	DECAL,LABEL,UNLEADED GAS ONLY.....	2	21	28165	DECAL,INSTRUCT,FOOTSWITCH OPER.....	1
--	28159	DECAL,DIESEL.....	2	22	44981	DECAL,LABEL,AIRLINE 110 PSI.....	2
3	32932	DECAL,DANGER,TIPOVER,AXLES.2		23	97887	DECAL,INSTR,MAX SIDE FRC,ANSI.....	1
4	43647	DECAL,NOTICE,OPER INST.IC***.....	2	--	44986	DECAL,INSTR,SIDE FRC/WIND,AUS.....	1
5	72160	DECAL,GND CONT PNL,S45/S60/80.....	1			<i>CE Models</i>	
--	49926	DECAL,GND CONT PNL,S45/60/80**.....	1	24	31060	DECAL,DANGER DO NOT ALTER SWTC.....	1
6	25994	DECAL,NOTICE,SHUTOFF VALVES.....	1	25	62921	DECAL,COSMETIC,S80.....	1
7	28161	DECAL,WARN,CRUSH HAZARD HAND.....	4	25	62923	DECAL,COSMETIC,S85.....	1
8	77046	SERIAL # LABEL,MYLAR 4X8***.....	1	26	27564	DECAL,DANGER,ELEC.HAZ.STAY CLR.....	3
9	28177	DECAL,WARN,CRUSH HAZARD PLAT.....	2	27	49741	DECAL,NOTICE,FORD EFI ENG SPEC.....	1
10	40434	DECAL,LANYARD ANCHORAGE POINT.....	4	--	33956	DECAL,NOTICE, FORD ENG SPEC**.....	1
11	33952	DECAL,DANGER,TILT ALARM***.....	1	--	33985	DECAL,NOTICE,DEUTZ ENG SPEC**.....	1
12	32726	DECAL,OPTION GLOW PLUGS***.....	1	--	33986	DECAL,NOTICE,DEUTZ ENG SPEC.....	1
13	133518	DECAL, PATCH, GEN,ALC-500.....	1	--	63461	DECAL, ENGINE SPEC, PERKINS.....	1
14	44769	DECAL,LABEL,LFT/DRV SELECT.....	1	28	35599	DECAL,NOTICE,AIR INLET***.....	1
--	72867	DECAL,LABEL,LIGHTS***.....	1			<i>Deutz Diesel Models</i>	
15	52156	DECAL,PLATFORM CTRL PANEL.....	1	29	28175	DECAL,COMPARTMENT ACCESS.....	1
--	52251	DECAL,PROTECTOR,CLEAR,PLATE.1		30	28164	DECAL,NOTICE,HAZARDOUS MAT'LS*.....	1
--	72162	DECAL,PLATFORM CTRL PANEL.....	1	31	32999	DECAL,NOTICE,TIRE PRESSURE.....	2

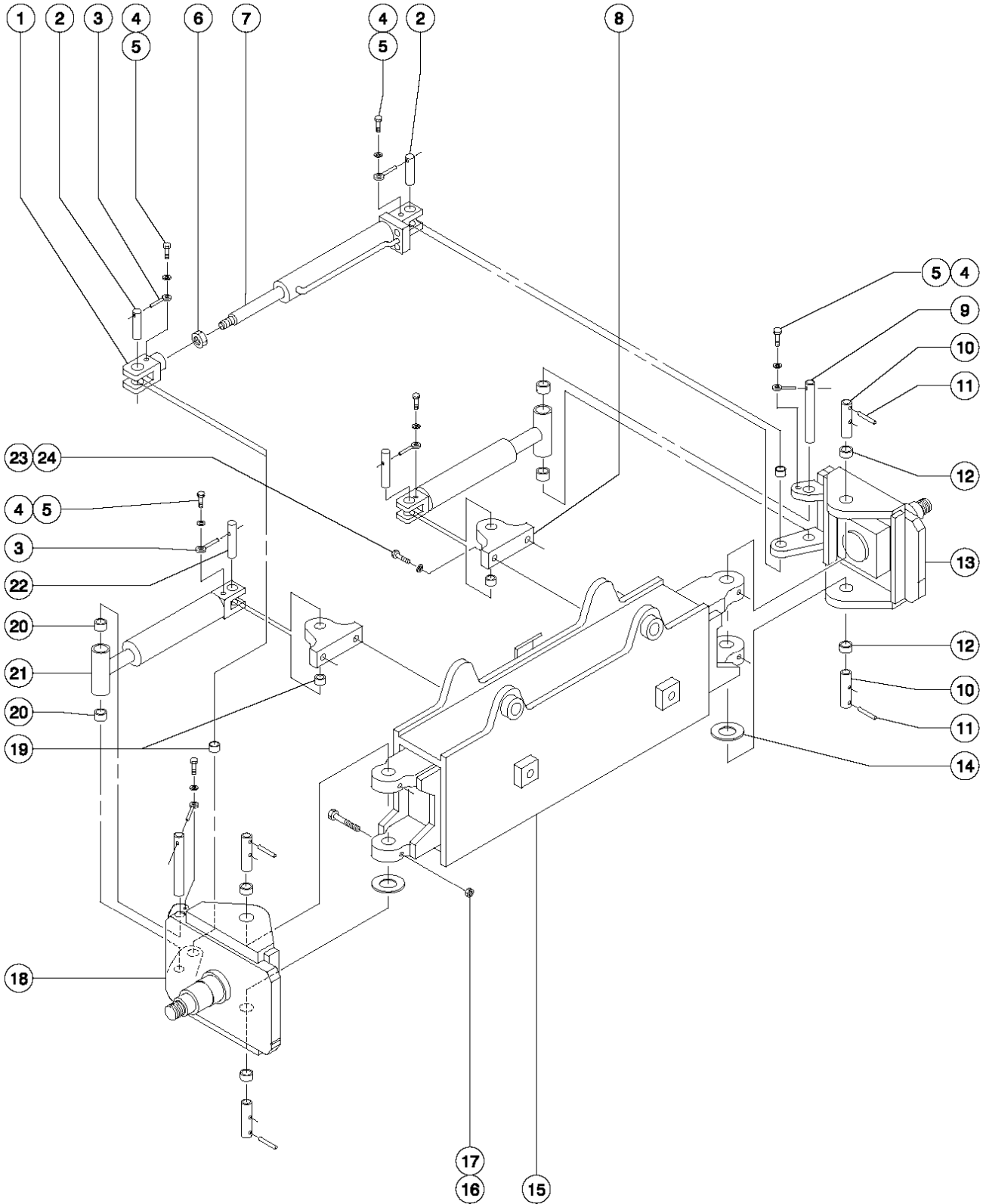


101.1 Decals
(continued)

Item	Part No.	Description	Qty.
32	28160	DECAL,LABEL,LIQUID PROPANE.....1 <i>Gasoline/LPG Models</i>	1
33	28174	DECAL,POWER TO PLATFORM 230V.....1	1
33	28235	DECAL,POWER TO PLATFORM 115V.....1	1
--	28235	DECAL,POWER TO PLATFORM 115V.....1	1
34	62920	DECAL,COSMETIC,GENIE S-80.....1	1
34	62922	DECAL,COSMETIC,GENIE S-85.....1	1
35	28181	DECAL,WARN,FALL HAZARD.....1	1
36	32997	DECAL,WARNING,HAND/FOOT CRUSH.....4	4
37	52966	DECAL,COSMETIC,4 X 2.....1	1
--	52967	DECAL,COSMETIC,4 X 4.....1	1
38	32996	DECAL,NOTICE,EXT AXLE OPER.....2	2
39	27205	DECAL,ARROW YELLOW LRG 9".....1	1
40	27206	DECAL,TRIANGLE,BLUE.....2	2
41	27207	DECAL,TRIANGLE,YELLOW.....2	2
42	27204	DECAL,ARROW BLUE.....1	1
43	43663	DECAL,NOTICE, FUNCTION ENABLE*.....1	1
44	28157	DECAL,USE DEXRON***1	1

This Page Intentionally Left Blank

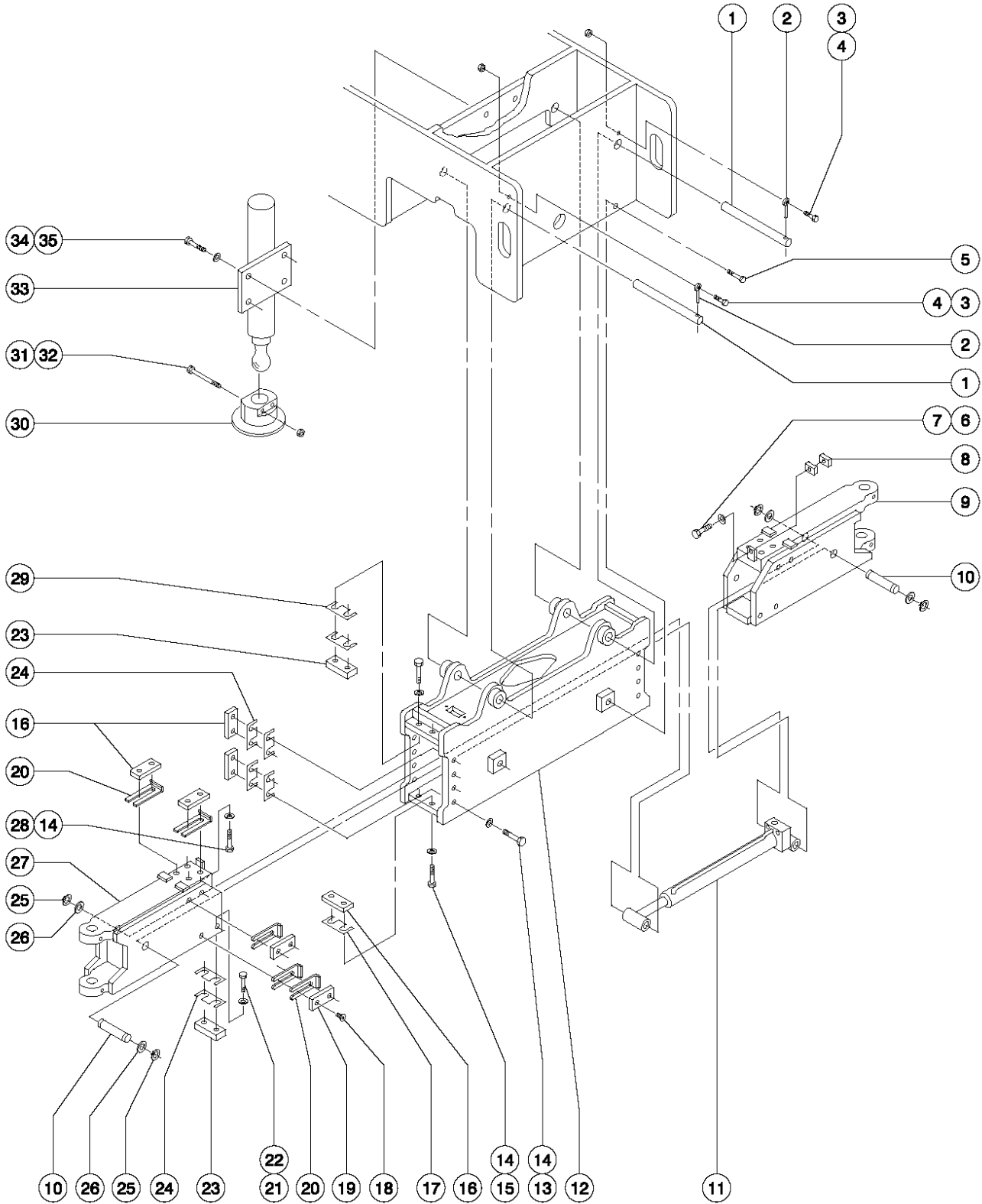
201.1 Steer Axle Linkage



201.1 Steer Axle Linkage

Item	Part No.	Description	Qty.	Item	Part No.	Description	Qty.
1	34290P-S	ADJUSTMENT LUG,1.25-7 PAINTED.....	1	23	36897	SCREW,SHC,5/8-18 X 2.25.....	4
2	34276	PIN,1.25DIAX3.37LG,1HOLE.....	2	24	42191	WASHER,FLAT,.640X1.160X.09.....	4
3	25284	ROD END,.375 X 2.25***.....	6				
4	6175	SCREW,HHC,3/8-16 X 1.....	6				
5	6021	WASHER,LOCK,.375.....	6				
6	27953	NUT,HEX,JAM,1.25-7.....	1				
7	81993	CYLINDER,TIE ROD, S80/S85.....	1				
--	33428	VALVE,COUNTERBALANCE.....	1				
--	63359	SEAL KIT CYL.S80(63219).....	1				
8	36892P-S	LUG,FRONT AXLE STEERING,PAINT.....	2				
9	34275	PIN,1.25DIAX10.18LG,1HOLE.....	2				
10	53081	PIN,1.50DIAX4.76LG,2HOLE.....	4				
11	14815	PIN,ROLL,SST,.25 X 2.25.....	4				
12	119619	BEARING,1.5IDX1.75ODX1.5L,PTFE.4					
13	53493-S	2WD STR.YOKE WELD.L.H.2ND STG.....	1				
		<i>includes 2 each of index number 12 and 1 each of index number 19</i>					
14	45074	WASHER,THRUST,1.5 X 3.5 X .187.....	2				
15	34064-S	WELDMENT,OUTER FRONT AXLE.....	1				
16	6198	NUT,NYLOCK,1/2-13.....	2				
17	12461	SCREW,HHC,1/2-13 X 5,GRD.8.....	2				
18	53492-S	2WD STR.YOKE WELD.R.H.2ND STG.....	1				
		<i>includes 2 each of index number 12 and 1 each of index number 19</i>					
19	34245	BEARING,1.25IDX1.50X1.25L.....	4				
20	25683	BEARING,POLYGON,20DU12.....	4				
		<i>(for 34128 cylinder)</i>					
20	59266	BEARING, POLYGON P2055 (59105) <i>(for 59101 and 88348 cylinders)</i>					
21	59050	SEAL KIT,2.5" BORE,1.5" ROD*** <i>(use with cylinder 59101)</i>					
21	88348	CYLINDER,STEER S80/85.....	2				
		<i>includes 2 each of index number 20</i>					
--	31078	SEAL KIT,HYDRAULIC CYLINDER*** <i>(use with cylinder 34128)</i>					
--	88349	SEAL KIT,STEER CYL***.....	2				
		<i>(use with cylinder 88348)</i>					
22	35849	PIN,1.25DIAX4.19LG,THREADED...2					

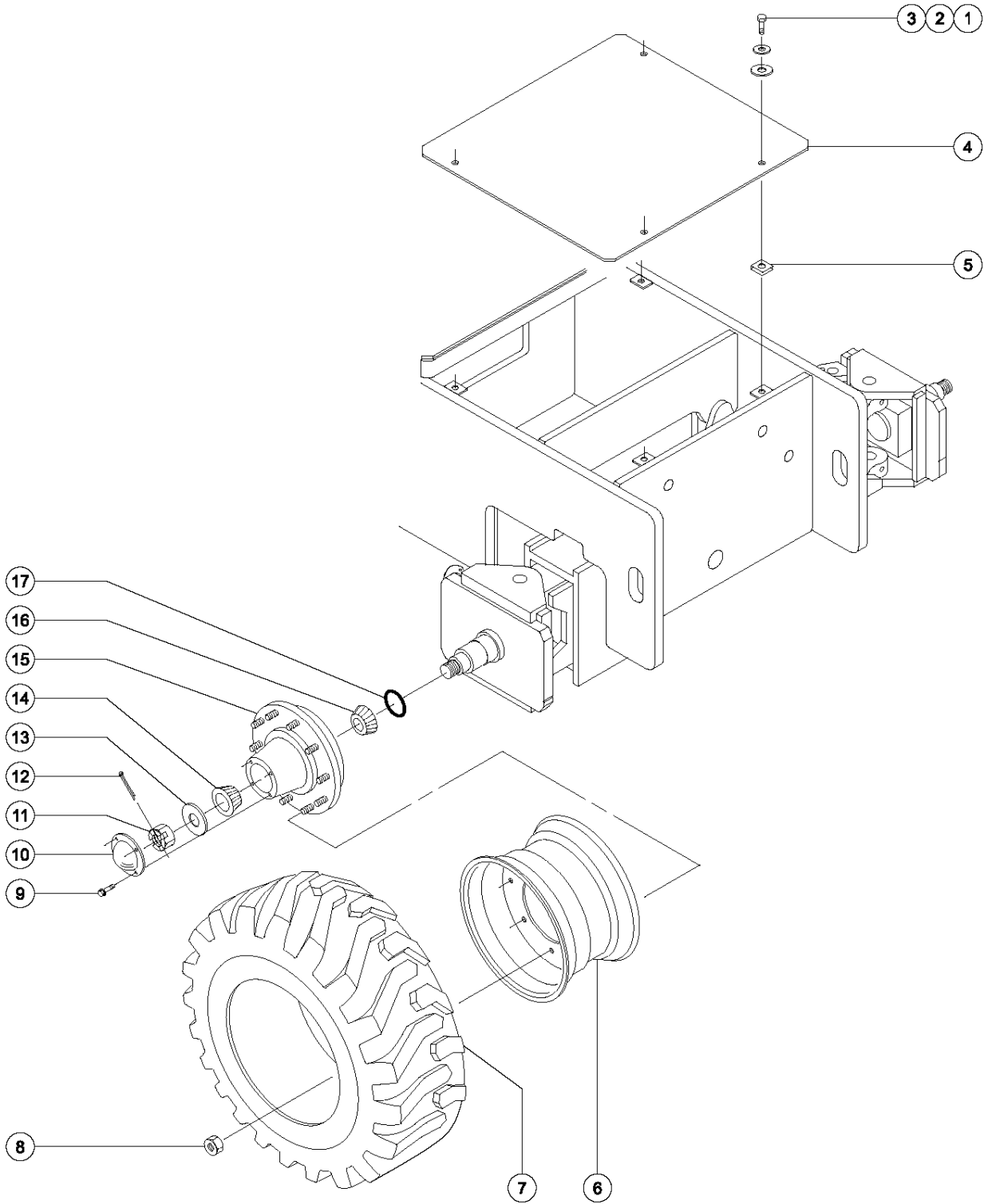
202.1 Extendable Steer Axle Installation



202.1 Extendable Steer Axle Installation

Item	Part No.	Description	Qty.	Item	Part No.	Description	Qty.
1	30731	PIN,PRIM.BOOM,16.0 X 1.5 INCH.....	2	28	6708	SCREW,HHC,3/8-16 X 2.25.....	8
2	30418	ROD END,.50 X 4.....	2	29	34954	SHIM,SIDE PAD 16GA.1.5 X 3.5....	4
3	6096	SCREW,HHC,1/2-13 X 2 GR5.....	2	30	34772	CASTING,JACK FT/PAD PAINTED.....	1
4	6086	NUT,LP NYLOCK,1/2-13.....	4	31	12981	SCREW,HHC,3/8-16 X 4.5.....	2
5	19418	SCREW,SHC,5/8-11 X 1.75.....	2	32	4828	NUT,NYLOCK,3/8-16.....	2
6	6888	SCREW,HHC,1/4-20 X 1.....	2	33	63220	CYLINDER,JACK***.....	1
7	6356	WASHER,LOCK,.25.....	2	--	63360	SEAL KIT CYL.S80(63220).....	1
8	34723P-S	TAP BLOCK,AXLE ADJ.PAINTED....	4	34	29883	SCREW,HHC,5/8-11 X 1.75 GRD.8.....	4
9	40669	WLDT,INN FR AXLE LH MACHED.....	1	35	6036	WASHER,LOCK,.625 PLTD.....	4
10	34277	PIN,1.00DIA X 6.71LG,2RING.....	2	Footnotes			
11	63217	CYLINDER,AXLE EXTENSION,FRONT.....	1	1: Quantity listed for this item is approximate. Actual quantity may vary to ensure proper fit.			
--	33428	VALVE,COUNTERBALANCE.....	1				
--	63357	SEAL KIT CYL.S80(63217).....	1				
12	34064-S	WELDMENT,OUTER FRONT AXLE.....	1				
13	8516	SCREW,HHC,3/8-16 X 1.50,GR5.....	16				
14	6021	WASHER,LOCK,.375.....	20				
15	13918	SCREW,HHC,3/8-16 X 1.75,GRD.8.....	4				
16	34125	WEAR PAD,5 X 1.5 X .75 W/NUTS.....	14				
17	34343	SHIM,SIDE PAD 16GA,.44 SLOT.....	16				
18	16439	SCREW,FHS,3/8-16 X 1.....	16				
19	34207	WEAR PAD,5 X 1.5 X .75.....	8				
20	29080	SHIM,WEAR PAD,5X 1.5 16GA.....	16				
21	10598	SCREW,HHC,1/2-13 X 3.....	16				
22	6033	WASHER,LOCK,0.5".....	4				
23	41547P-S	PAD,AXLE COMPRESSION,PAINTED.....	4				
24	41555	SHIM,SIDE PAD 16GA,.56 SLOT.....	22				
		1					
25	44662	SNAP RING,EXTERNAL,1.00 DIA.....	4				
26	30748	WASHER,SHIM,1.01 X 1.63 X.062.....	4				
27	40667	WLDT,INN FR AXLE RH MACHINED.....	1				

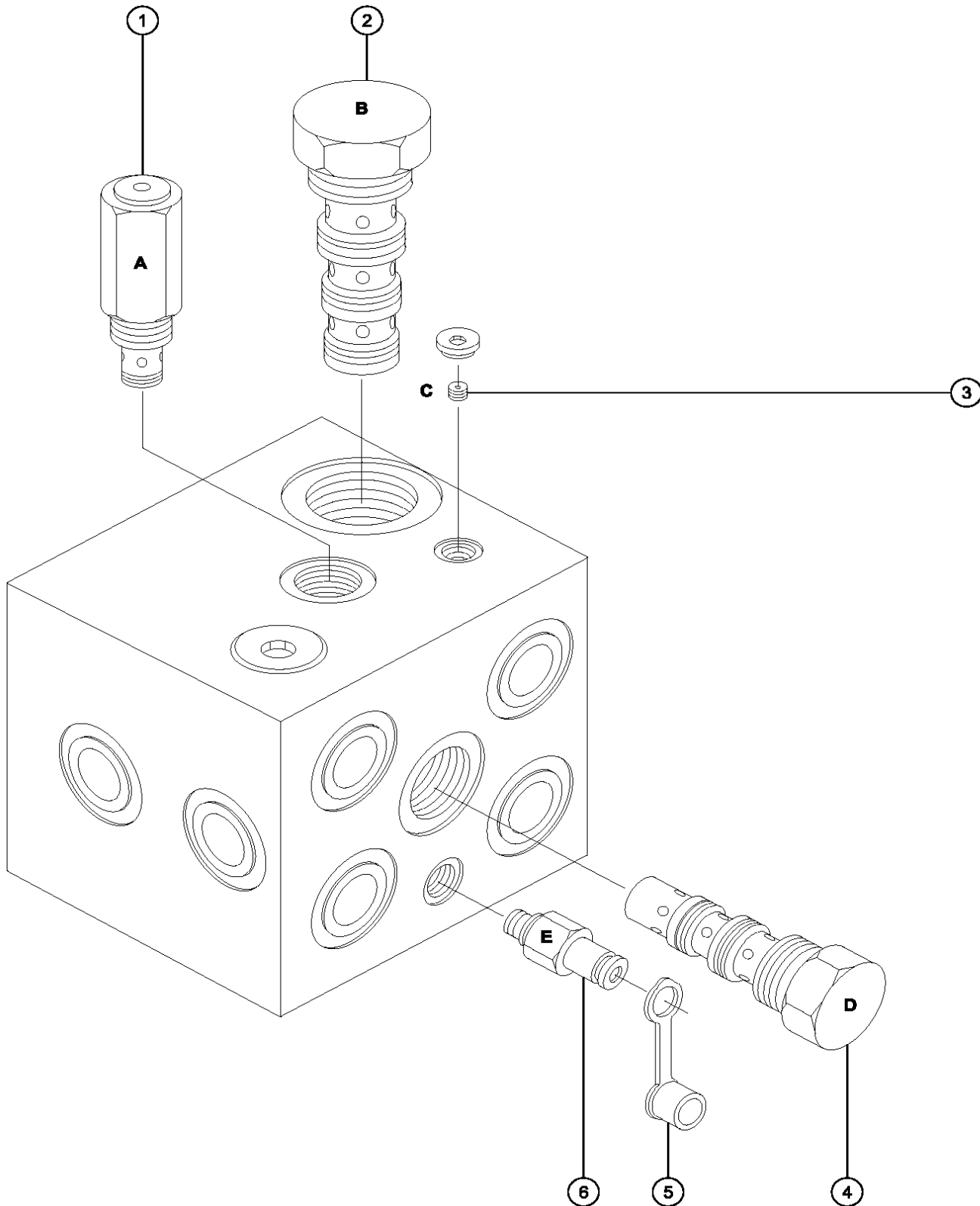
203.1 Steering Wheels and Hubs



203.1 Steering Wheels and Hubs

Item	Part No.	Description	Qty.
1	6090	SCREW,HHC,1/4-20 X .75.....	4
2	6356	WASHER,LOCK,.25.....	4
3	6638	WASHER,FLAT,USS,1/4"Y.....	4
4	33448	COVER W/DECALS,DR.CHAS.STR.END.....	1
5	56912	SPRING CLIP,1/4-20,.025-.15X.5.....	4
6	73190	WHEEL, 22.5 X 11.75 S80 <i>for 81528, 81529</i>	
7A	81528	TIRE & WHEEL ASSY,AIR,RH,S80.....	1
		<i>RT, Air-filled, right</i>	
7A	81529	TIRE & WHEEL ASSY,AIR,LH,S80...1 <i>RT, Air-filled, left</i>	1
--	81527	TIRE,15-22.5,16 PLY,HAULER S80 <i>for 81528, 81529</i>	
7B	81530	TIRE & WHEEL ASSY,FOAM RH,S80 <i>RT, Foam-filled, right</i>	
7B	81531	TIRE & WHEEL,ASSY,FOAM LH,S80 <i>RT, Foam-filled, left</i>	
8	34127	NUT,LUG,3/4-16 X 7/8 RADIUS.....	20
9	18506	5/16-18 X .75 LG.FLG.LCK.SCREW.....	8
10	73082	CAP,DUST.....	2
11	34627	NUT,SPINDLE,2.00-12.....	2
12	34628	PIN,COTTER,.375 X 3.5.....	2
13	34626	WASHER,FLAT,2.0 X 4.5 X .25.....	2
14	73080	BEARING,OUTER CONE.....	2
15	73075	HUB ASSY W/RACES.....	2
--	73076	HUB RACE,INNER.....	2
--	73077	HUB RACE, OUTER.....	2
--	73078	STUD,WHEEL,3/4-16.....	2
16	73079	BEARING, INNER CONE.....	2
17	94794	SEAL,GREASE.....	2

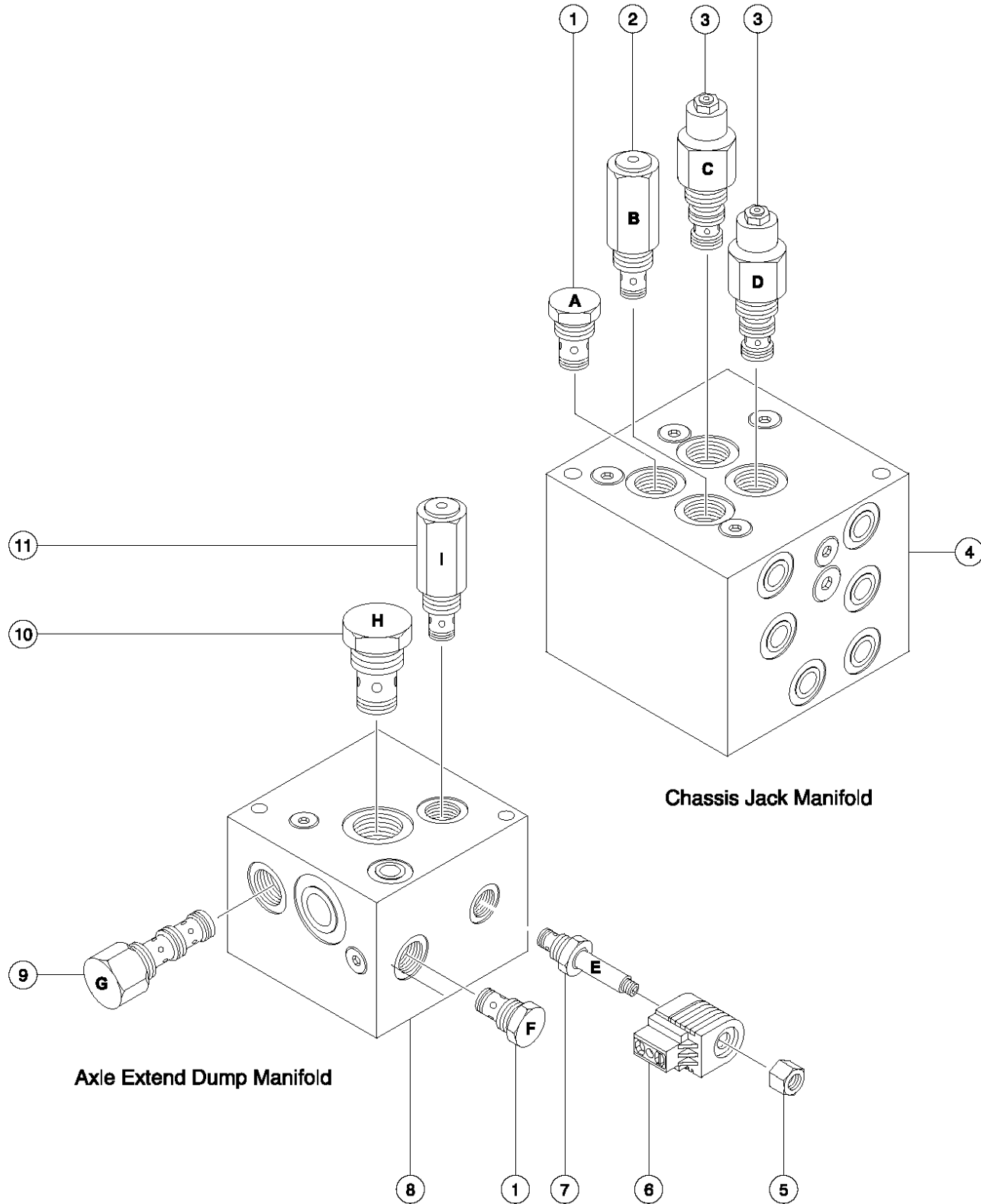
204.1 Drive Manifold, 2WD



204.1 Drive Manifold, 2WD

Item	Part No.	Description	Qty.
A		Relief valve, 210 psi (14.5 bar) <i>Charge pressure circuit</i>	
B		Flow Divider/Combiner <i>Controls flow to non-steer drive motors in forward and reverse</i>	
C		Orifice Plug, 0.070 inch <i>Drive circuit</i>	
D		Shuttle valve, 3 position 3 way <i>Charge pressure, hot oil shuttle</i>	
E		Diagnostic fitting <i>Testing</i>	
--	28750	O-RING KIT,FIELD SVC,ALL PROD*	
--	33994	PLUG AND CAP KIT-SERVICE,37ø**	
--	34448	TRACTION MANIFOLD,2WD*** <i>includes index numbers 1 through 4</i>	
--	49612	O-RING KIT (ORFS FITTINGS)	
--	49613	PLUG AND CAP KIT-SERVICE,ORFS*	
1	43597	VALVE,RELIEF,210 PSI.....	1
2	52726	VALVE,FLOW DIVIDER/COMBINER.....	1
3	33520	PLUG,ORIFICE,0.070.....	1
4	27761	VALVE,SHUTTLE.....	1
5	48880	CAP,DIAGNOSTIC NIPPLE.....	1
6	48997	NIPPLE,DIAGNOSTIC,#4 PORT***.....	1
--	20224	DIAGNOSTIC FEMALE Q-DSCNT.....	1

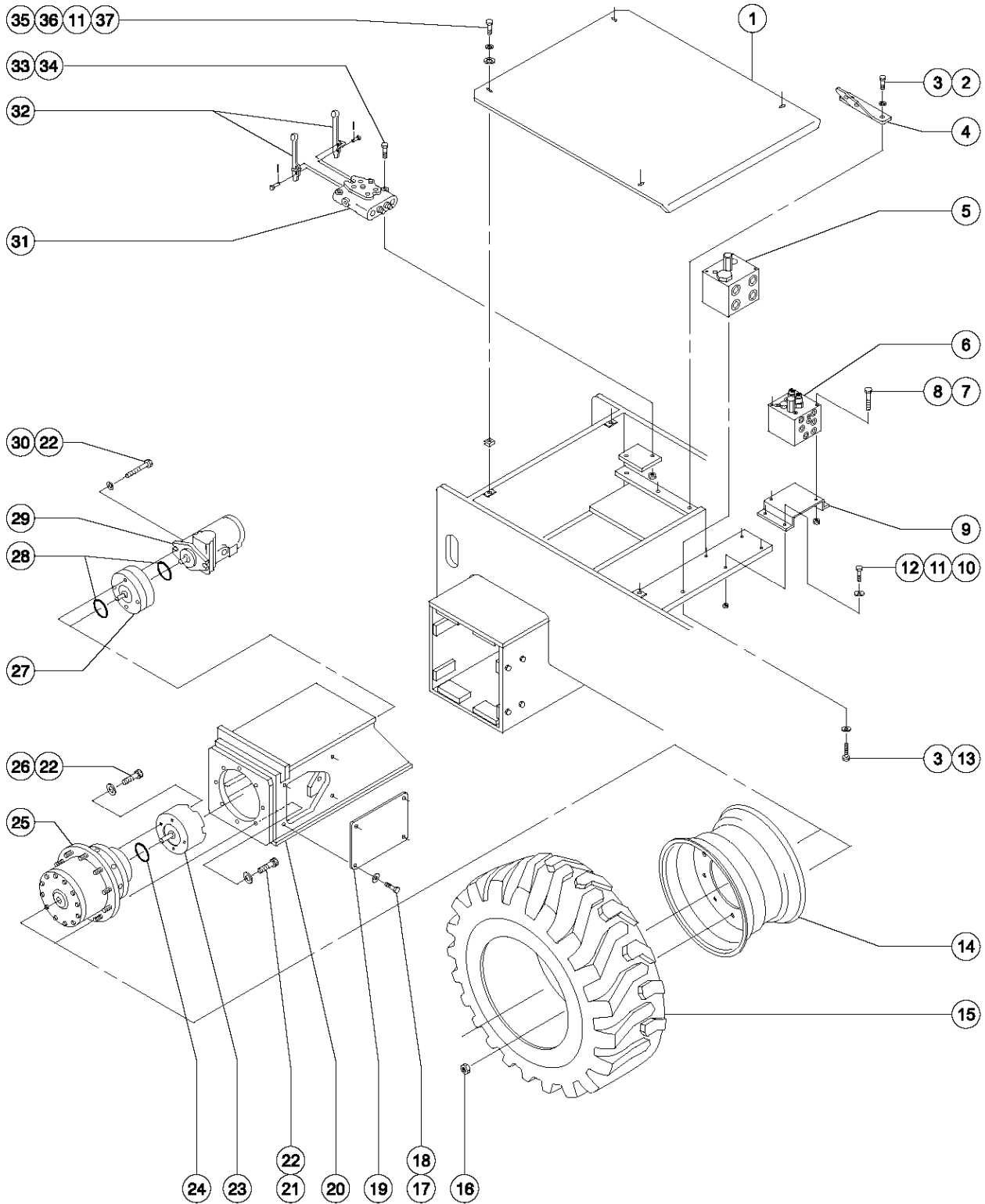
205.1 Chassis Jack and Axle Extend Dump Manifolds



205.1 Chassis Jack and Axle Extend Dump Manifolds

Item	Part No.	Description	Qty.	Item	Part No.	Description	Qty.
A		Check valve <i>Hydraulic limit switch circuit</i>		10	62240	VALVE,CHECK,S80 AXLE EXT.DUMP.....	1
B		Relief valve, (24.1 bar) 350 psi <i>Chassis Jack auto retract circuit</i>		11	62241	VALVE,RELIEF,200 PSI (48536)....	1
C		Counterbalance valve <i>Non-steer end Chassis Jack circuit</i>					
D		Counterbalance valve <i>Steer end Chassis Jack circuit</i>					
E		Solenoid valve <i>Allows Chassis Jacks to lift chassis when boom is in stowed position</i>					
F		Check valve <i>Prevents flow from Chassis Jacks through auxiliary pump</i>					
G		Flow Regulator Valve <i>Regulates flow to steer manifold</i>					
H		Check valve <i>Blocks flow back to pump</i>					
I		Relief valve <i>Chassis jack relief circuit when boom is raised or extended</i>					
--	28750	O-RING KIT,FIELD SVC,ALL PROD*					
--	33994	PLUG AND CAP KIT-SERVICE,37ø**					
--	49612	O-RING KIT (ORFS FITTINGS)					
--	49613	PLUG AND CAP KIT-SERVICE,ORFS*					
1	45543	VALVE,CHECK, 50 PSI.....	2				
2	62242	VALVE,RELIEF,350 PSI,CHASS.JAC.....	1				
3	40665	VALVE,COUNTERBALANCE (36078)**.....	2				
4	48539	MANIFOLD,CHASSIS JACK..... <i>includes 1 each index number 1 and index numbers 2 and 3</i>	1				
5	45912	NUT,SOLENOID,2POS 3WAY.....	1				
6	27814	COIL,SOLENOID,10V.....	1				
7	33456	VALVE,SOLENOID (34545)..... <i>includes index numbers 5 and 6</i>	1				
8	48536	MANIFOLD,AXLE EXTEND DUMP..... <i>includes 1 each index number 1 and index numbers 5, 6, 7 and 9 through 11</i>	1				
9	58960	VALVE,FLOW REGULATOR,,3 GPM.....	1				

206.1 Non-Steer Axle Wheel Drive (to SN 2732)



206.1 Non-Steer Axle Wheel Drive (to SN 2732)

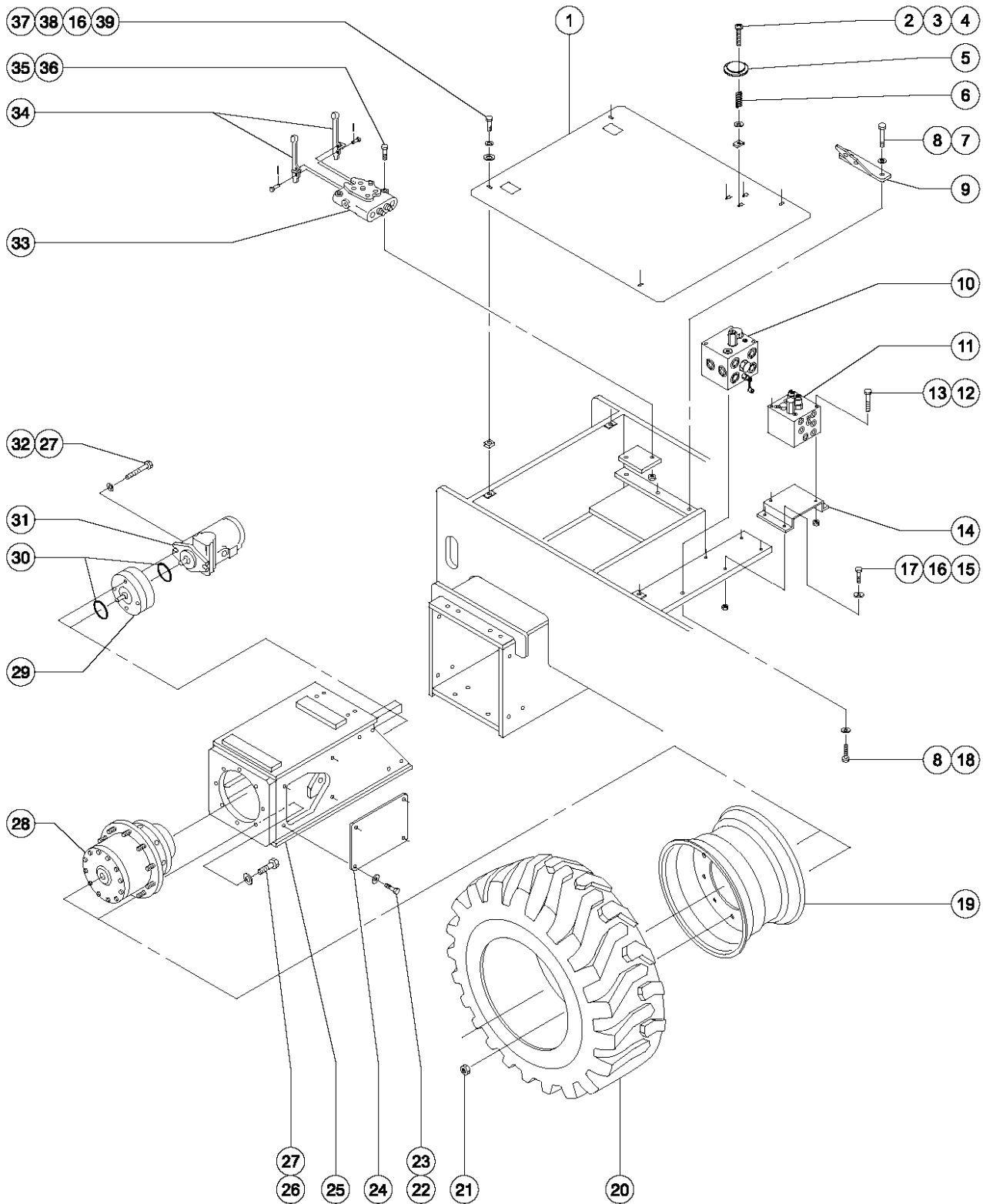
Item	Part No.	Description	Qty.	Item	Part No.	Description	Qty.
--	58020	DRIV CHAS COVER ASSY N/S END <i>from SN 1249</i>		23	33436	TORQUE HUB,4:1 (30989).....2 <i>to SN 2642</i>	
1	33467	COVR W/DECLS,DR CHAS NS END.....1 <i>to SN 1248</i>		--	33443	SEAL KIT,TORQUE HUB (30989)....2 <i>to SN 2642</i>	
2	6096	SCREW,HHC,1/2-13 X 2 GR5.....4		24	33437	O-RING,TORQUE HUB (30989)....2 <i>to SN 2642</i>	
3	6033	WASHER,LOCK,0.5".....6		25A	33435	TORQUE HUB,26:1 (30989)***2 <i>to SN 2642</i>	
4	34719P-S	BRACKET,HOSE SUPPORT PAINTED.....2		--	33441	STUD,WHEEL,3/4-16, (34115).....2	
5	34448	TRACTION MANIFOLD,2WD***1		--	T110729	SEAL KIT,TORQUE HUB,26:1(30989).....2	
6	48539	MANIFOLD,CHASSIS JACK.....1		25B	53483	WHEEL DRIVE,HW3 87:1***2 <i>from SN 2643</i>	
7	49465	SCREW,HHC,5/16-18 X 5.....2		--	147558	KIT,BEARING,TAPERED,OUTER*** <i>(for 53483)</i>	
8	6782	NUT,NYLOCK,5/16-18.....2		--	147559	KIT,BEARING,TAPERED,INNER*** <i>(for 53483)</i>	
9	49421P-S	MOUNT, CHASSIS JACK MANIFOLD.....1		--	33440	SEAL KIT,TORQUE HUB (34115)***2	
10	8915	SCREW,HHC,1/4-20 X 1.25.....4		--	33441	STUD,WHEEL,3/4-16, (34115).....2	
11	6638	WASHER,FLAT,USS,1/4"Y.....8		26	50576	SCREW,SHC,1/2-13 X 3.00.....8 <i>to SN 2642</i>	
12	6889	NUT,LP NYLOCK,1/4-20.....4		--	77239	LINING KIT,AUSCO BRAKE*** <i>(for 73899)</i>	
13	10597	SCREW,HHC,1/2-13 X 1.25 GR5.....2		--	77240	SEAL KIT, AUSCO BRAKE*** <i>(for 73899)</i>	
14	73190	WHEEL, 22.5 X 11.75 S80 <i>for 81528, 81529</i>		27A	73899	BRAKE, WHEEL, 1600 INLB.....2 <i>includes 2 each of index number 28. (Previous brake part 41916 is no longer available, Replaced by part 73899)</i>	
15A	81528	TIRE & WHEEL ASSY,AIR,RH,S80.....1 <i>RT, Air-filled, right</i>		--	65608	BEARING KIT, AUSCO*** <i>(for 73899)</i>	
15A	81529	TIRE & WHEEL ASSY,AIR,LH,S80...1 <i>RT, Air-filled, left</i>		--	41920	LINING KIT,MICO BRAKE (41916).....2 <i>for MICO brake part 41916</i>	
--	81527	TIRE,15-22.5,16 PLY,HAULER S80 <i>for 81528, 81529</i>		--	41921	SEAL KIT,BRAKE,MICO.....2 <i>for MICO brake part 41916</i>	
15B	81530	TIRE & WHEEL ASSY,FOAM RH,S80 <i>RT, Foam-filled, right</i>		--	41922	BEARING KIT,BRAKE,MICO.....2 <i>for MICO brake part 41916</i>	
15B	81531	TIRE & WHEEL,ASSY,FOAM LH,S80 <i>RT, Foam-filled, left</i>		28	22811	O-RING,MOTOR TO BRAKE***4	
16	34127	NUT,LUG,3/4-16 X 7/8 RADIUS.....20		29	24668	DRIVE MOTOR REAR,2WD/7 DEGREE*2 <i>includes 1 each index number 28</i>	
17	8255	SCREW,HHC,3/8-16 X .75.....8		--	33444	SEAL KIT,DRIVE MOTOR,(24668).....2	
18	6021	WASHER,LOCK,.375.....8					
19	34219P-S	COVER,REAR AXLE PAINTED.....2					
20	53404	INNER REAR AXLE WELDMENT, L.H.....1					
--	53405	INNER REAR AXLE WELDMENT, R.H.....1					
21	45066	SCREW,SHC,5/8-11 X 2.25.....16					
22	13064	WASHER,FLAT,.625 HARDENED.....24 <i>to SN 2642</i>					

206.1 Non-Steer Axle Wheel Drive (to SN 2732)
(continued)

Item	Part No.	Description	Qty.
30	7261	SCREW,HHC,1/2-13 X 5 BLACK.....4 <i>for MICO brake part 41916</i>	4
--	56680	SCREW,SHC,1/2-13 X 4.50 ZINC <i>for AUSCO brakes</i>	
31	33469	SEAL KIT,3POS,4WAY VALVE-34134.....2	2
31	34134	VALVE,MANUAL,3 POS-4 WAY,2SPL.....2	2
32	34135	HANDLE KIT,SPOOL.....4 <i>includes mounting fasteners</i>	4
33	6884	SCREW,HHC,1/4-20 X 2.5.....4	4
34	6091	NUT,NYLOCK,1/4-20.....4	4
35	6090	SCREW,HHC,1/4-20 X .75.....4	4
36	6356	WASHER,LOCK,.25.....4	4
37	56912	SPRING CLIP,1/4-20,.025-.15X.5.....4	4

This Page Intentionally Left Blank

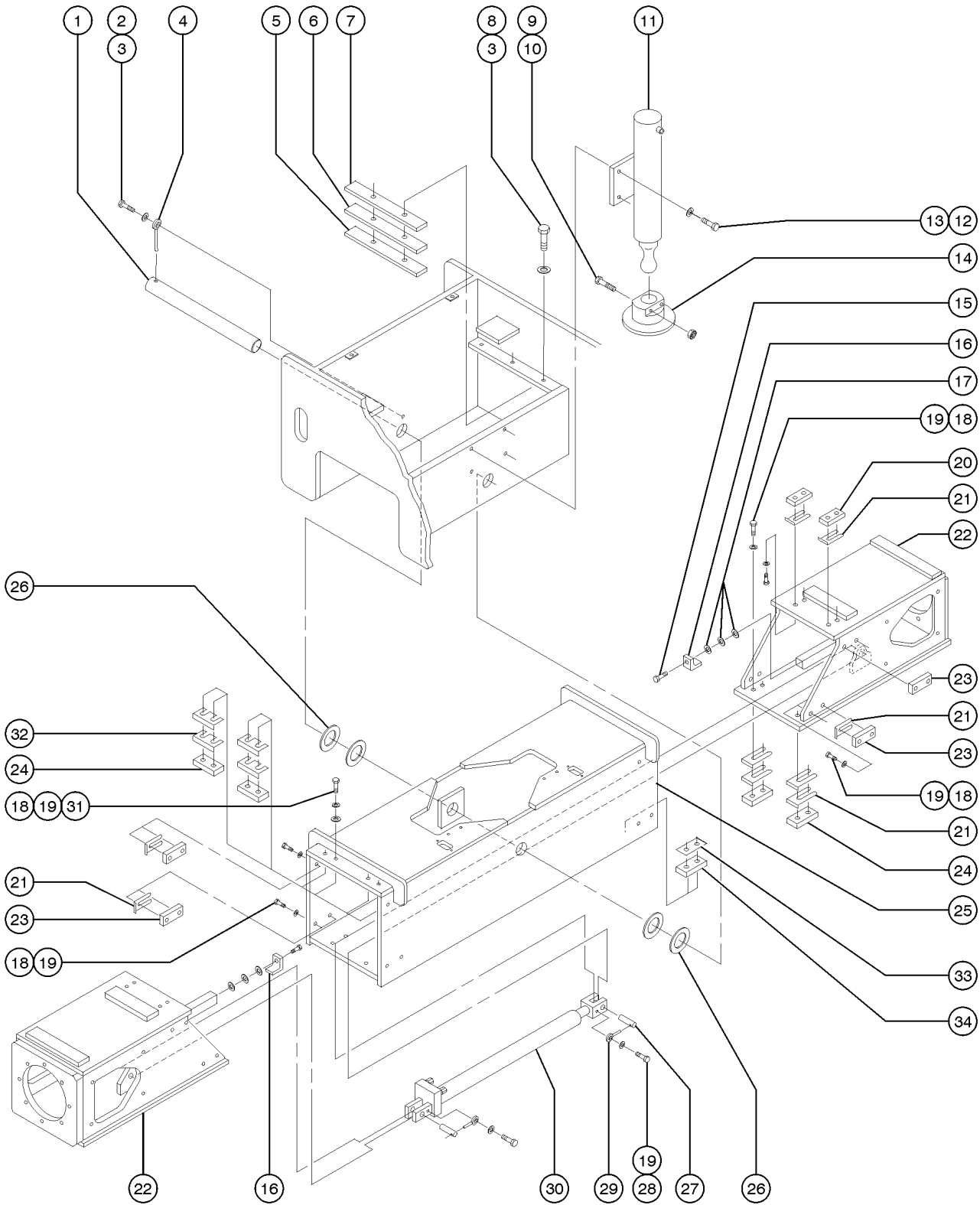
206.2 Non-Steer Axle Wheel Drive (from SN 2733)



206.2 Non-Steer Axle Wheel Drive (from SN 2733)

Item	Part No.	Description	Qty.	Item	Part No.	Description	Qty.
1	58020	DRIV CHAS COVER ASSY N/S END <i>from SN 1249</i>		24	34219P-S	COVER,REAR AXLE PAINTED.....	2
2	73634	SCREW,PHIL,PHM,10-24X1.5 ZINC.....	3	25	53404	INNER REAR AXLE WELDMENT, L.H.....	1
		<i>CE models</i>		--	53405	INNER REAR AXLE WELDMENT, R.H.....	1
3	6146	WASHER,FLAT,MS,#10,Y.....	3	26	73455	SCREW,HHC,5/8-11 X 2.25 GR8.....	16
		<i>CE models</i>		27	13064	WASHER,FLAT,625 HARDENED.....	16
4	73575	SPRING CLIP,10-24,ZINC.....	3			<i>from SN 2643</i>	
		<i>CE models</i>		28	53483	WHEEL DRIVE,HW3 87:1***.....	2
5	77026	LEVEL,BUBBLE,2 DEGREE *.....	1	--	147558	KIT,BEARING,TAPERED,OUTER*** <i>(for 53483)</i>	
		<i>CE models</i>		--	147559	KIT,BEARING,TAPERED,INNER*** <i>(for 53483)</i>	
6	77027	SPRING,1X.31 ODX.040WIRE,SS.....	1	--	33440	SEAL KIT,TORQUE HUB <i>(34115)***</i>	2
		<i>CE models</i>		--	33441	STUD,WHEEL,3/4-16, (34115).....	2
7	6096	SCREW,HHC,1/2-13 X 2 GR5.....	4	29	73899	BRAKE, WHEEL, 1600 INLB.....	2
8	6033	WASHER,LOCK,0.5".....	6			<i>includes 2 each of index number 30</i>	
9	34719P-S	BRACKET,HOSE SUPPORT PAINTED.....	2	--	65608	BEARING KIT, AUSCO***.....	2
10	34448	TRACTION MANIFOLD,2WD***.....	2	--	77239	LINING KIT,AUSCO BRAKE***.....	2
11	48539	MANIFOLD,CHASSIS JACK.....	2	--	77240	SEAL KIT, AUSCO BRAKE***.....	2
12	49465	SCREW,HHC,5/16-18 X 5.....	2	30	22811	O-RING,MOTOR TO BRAKE***.....	4
13	6782	NUT,NYLOCK,5/16-18.....	2	31	24668	DRIVE MOTOR REAR,2WD/7 DEGREE*.....	2
14	49421P-S	MOUNT, CHASSIS JACK MANIFOLD.....	1			<i>includes 1 each index number 30</i>	
15	8915	SCREW,HHC,1/4-20 X 1.25.....	4	--	33444	SEAL KIT,DRIVE MOTOR,(24668).....	2
16	6638	WASHER,FLAT,USS,1/4"Y.....	8	32	56680	SCREW,SHC,1/2-13 X 4.50 ZINC....	4
17	6889	NUT,LP NYLOCK,1/4-20.....	4	33	34134	VALVE,MANUAL,3 POS-4 WAY,2SPL.....	2
18	10597	SCREW,HHC,1/2-13 X 1.25 GR5.....	2	--	33469	SEAL KIT,3POS,4WAY VALVE-34134.....	2
19	73190	WHEEL, 22.5 X 11.75 S80 <i>for 81528, 81529</i>		34	34135	HANDLE KIT,SPOOL.....	4
20A	81528	TIRE & WHEEL ASSY,AIR,RH,S80.....	1			<i>includes mounting fasteners</i>	
		<i>RT, Air-filled, right</i>		35	6884	SCREW,HHC,1/4-20 X 2.5.....	4
20A	81529	TIRE & WHEEL ASSY,AIR,LH,S80...1		36	6091	NUT,NYLOCK,1/4-20.....	4
		<i>RT, Air-filled, left</i>		37	6090	SCREW,HHC,1/4-20 X .75.....	4
--	81527	TIRE,15-22.5,16 PLY,HAULER S80 <i>for 81528, 81529</i>		38	6356	WASHER,LOCK,.25.....	4
20B	81530	TIRE & WHEEL ASSY,FOAM RH,S80 <i>RT, Foam-filled, right</i>		39	56912	SPRING CLIP,1/4-20,.025-.15X.5....	4
20B	81531	TIRE & WHEEL ASSY,FOAM LH,S80 <i>RT, Foam-filled, left</i>					
21	34127	NUT,LUG,3/4-16 X 7/8 RADIUS.....	20				
22	8255	SCREW,HHC,3/8-16 X .75.....	8				
23	6021	WASHER,LOCK,.375.....	8				

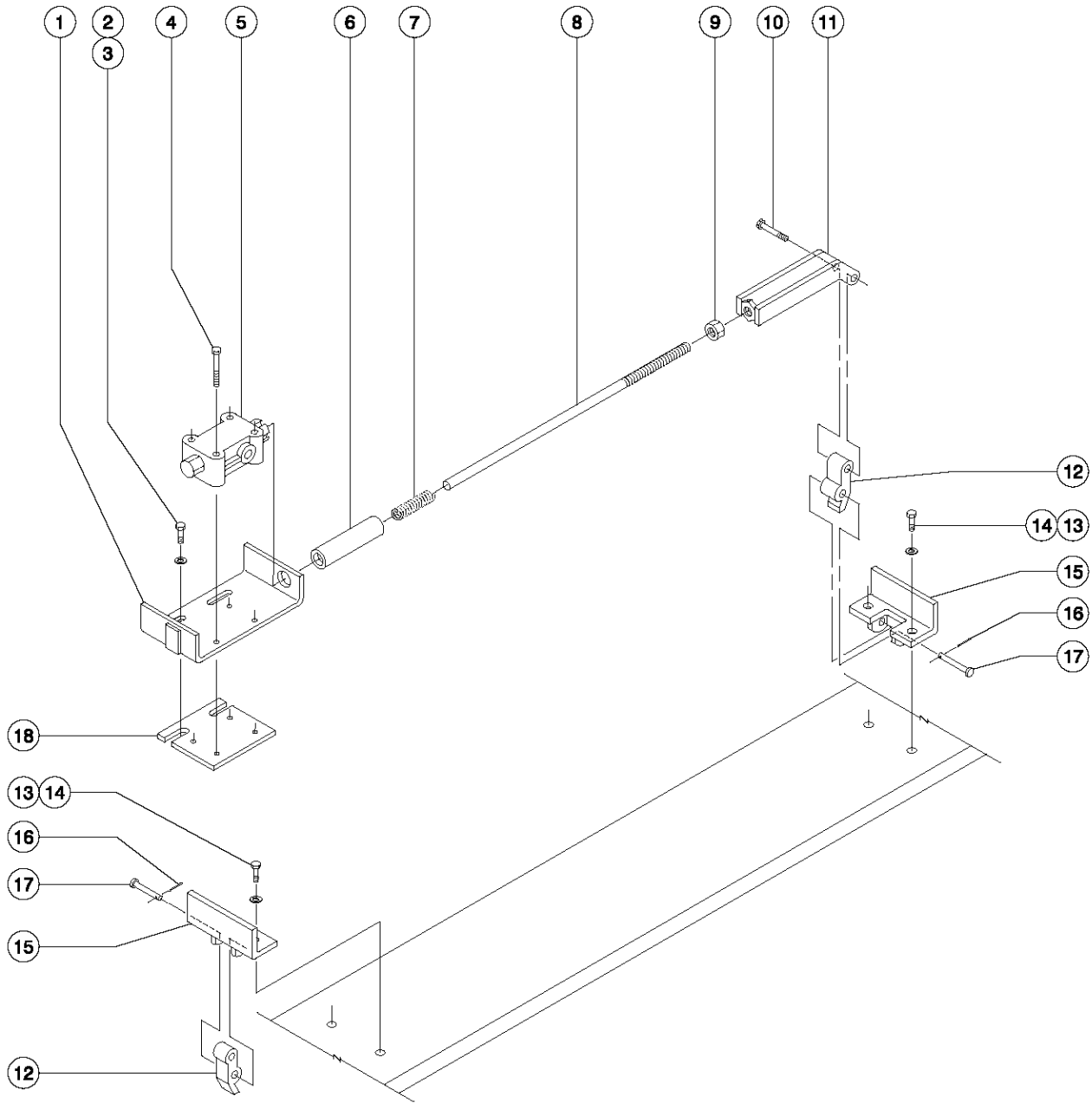
207.1 Extendable Non-Steer Axle Installation



207.1 Extendable Non-Steer Axle Installation

Item	Part No.	Description	Qty.	Item	Part No.	Description	Qty.
1	34273	PIN,2.50DIAX21.12LG,1HOLE.....	1	26	29746	WASHER,FLAT,2.5 X 4 X .062.....	6
2	10597	SCREW,HHC,1/2-13 X 1.25 GR5.....	1			1	
3	6033	WASHER,LOCK,0.5".....	5	27	30734	PIN,1.00DIAX2.88LG,1HOLE.....	2
4	30418	ROD END,.50 X 4.....	1	28	6175	SCREW,HHC,3/8-16 X 1.....	2
5	34218P-S	BAR,AXLE ROTATION STOP,OSC.....	1	29	25284	ROD END,.375 X 2.25***.....	2
6	34216	SHIM,AXLE ROTATION STOP,22GA.....	2	30	63218	CYLINDER,AXLE EXT,REAR.....	1
		1		--	33428	VALVE,COUNTERBALANCE.....	1
7	34215	SHIM,AXLE ROTATION STOP,12GA.....	2	--	63358	SEAL KIT CYL.S80(63218).....	1
		1		31	6097	WASHER,FLAT,USS,3/8",Y.....	4
8	6096	SCREW,HHC,1/2-13 X 2 GR5.....	4	32	34343	SHIM,SIDE PAD 16GA,.44 SLOT....	4
9	12981	SCREW,HHC,3/8-16 X 4.5.....	2	33	38621	SHIM,PAD,5 X 3.....	2
10	4828	NUT,NYLOCK,3/8-16.....	2	34	34126	WEAR PAD,5 X 3 X .75 W/INSERT.....	2
11	63220	CYLINDER,JACK***.....	1			Footnotes	
--	63360	SEAL KIT CYL.S80(63220).....	1	1: Quantity listed for this item is approximate. Actual quantity may vary to ensure proper fit.			
12	29883	SCREW,HHC,5/8-11 X 1.75 GRD.8.....	4				
13	6036	WASHER,LOCK,.625 PLTD.....	4				
14	34772	CASTING,JACK FT/PAD PAINTED.....	1				
15	8516	SCREW,HHC,3/8-16 X 1.50,GR5....	2				
16	34729P-S	BRACKET,ACTUATOR PAINTED....	2				
17	5397	WASHER,FLAT,USS,5/16",Y.....	6				
		1					
18	6019	SCREW,HHC,3/8-16 X 1.25 GRD 5.....	56				
19	6021	WASHER,LOCK,.375.....	58				
20	34668	WEAR PAD,W/INSERT.....	4				
21	29080	SHIM,WEAR PAD,5X 1.5 16GA....	40				
		1					
22	53404	INNER REAR AXLE WELDMENT, L.H.....	1				
--	53405	INNER REAR AXLE WELDMENT, R.H.....	1				
23	34125	WEAR PAD,5 X 1.5 X .75 W/NUTS.....	16				
24	34206P-S	PAD,AXLE COMPRESSION,PAINTED.....	8				
25	34082	WELDMENT,OUTER REAR AXLE.....	1				

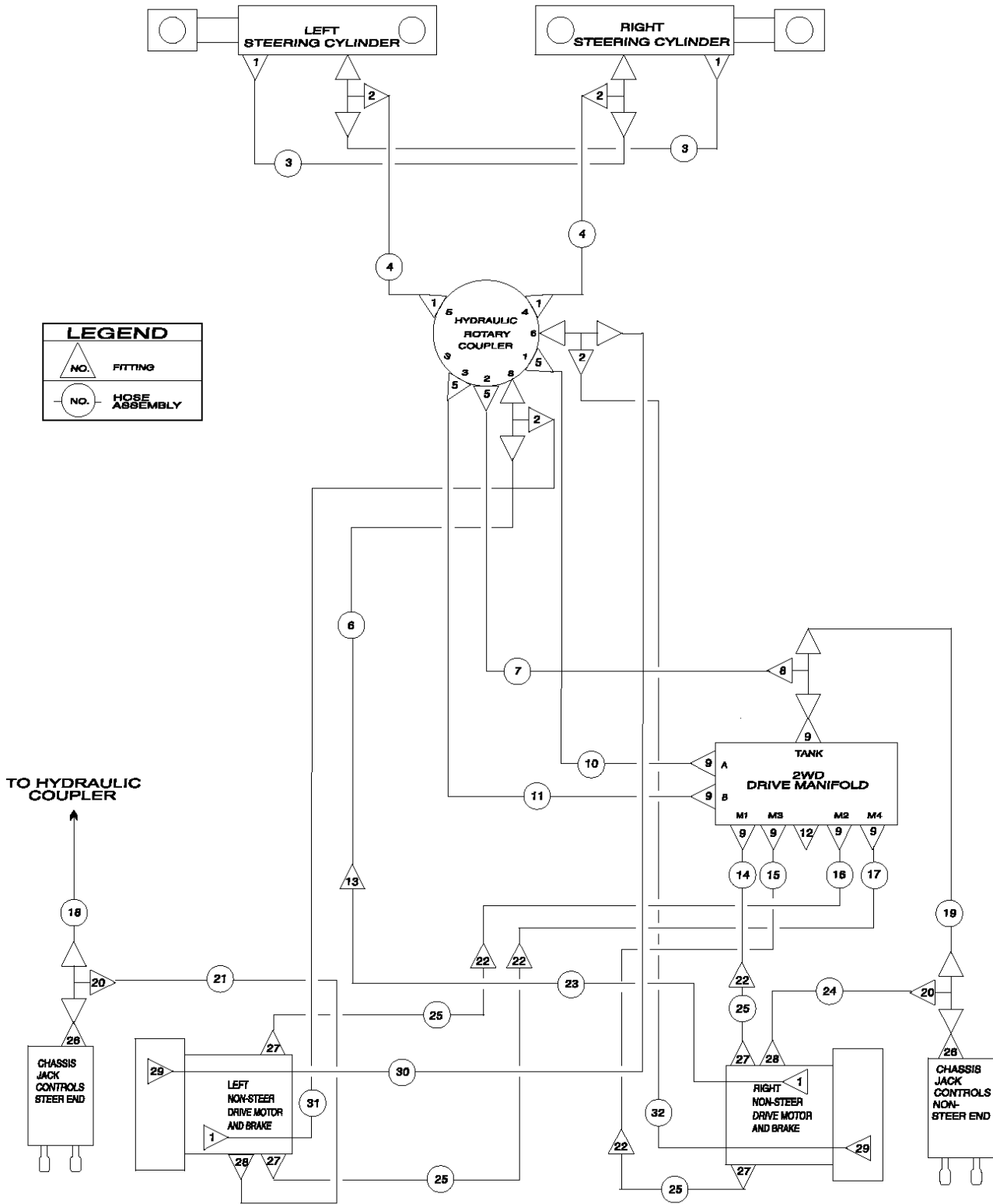
208.1 Extendable Axle Hydraulic Limit Switch Installation



208.1 Extendable Axle Hydraulic Limit Switch Installation

Item	Part No.	Description	Qty.
1	34735-S	WELDMENT, SWITCH HOLDER.....	2
2	11335	SCREW, SHS, 3/8-16 X .5.....	4
3	8519	WASHER, SHIM, .5 X .875 X .033.....	4
4	4266	SCREW, HHC, 1/4-20 X 2.....	8
5	34552	VALVE, DIRECTIONAL, 2POS. 2WAY 90.....	2
--	34552	VALVE, DIRECTIONAL, 2POS. 2WAY 90.....	2
6	34747	PLUNGER, CONNECTING ROD.....	2
7	34748	SPRING, AXLE CONNECTING ROD.....	2
8	34647	ROD, AXLE SWITCH CONNECT.....	2
9	45076	NUT, HEX, JAM, 5/8-11.....	2
10	34732	SCREW, SHS, 5/16-18 X 1.25(3/8).....	2
11	34646-S	CLEVIS, AXLE SWITCH ADJUSTMENT.....	2
12	34644P-S	LINK, AXLE SWITCH PAINTED.....	4
13	8255	SCREW, HHC, 3/8-16 X .75.....	8
14	6021	WASHER, LOCK, .375.....	8
15	34645-S	WELDMENT, PIVOT BRACKET.....	4
16	12016	PIN, COTTER, .125 X .75.....	4
17	34742	PIN, CLEVIS, .375 X 1.75 LG.....	4
18	34652	SLIDE PAD, AXLE SWITCH.....	2

209.1 Hydraulic Hoses and Fittings - Drive and Steer System



209.1 Hydraulic Hoses and Fittings - Drive and Steer System

Item	Part No.	Description	Qty.	Item	Part No.	Description	Qty.
--	49612	O-RING KIT (ORFS FITTINGS)		17	49156-4206	HOSE ASSY,3/4,90 FEM,STR FEM.....	1
--	49613	PLUG AND CAP KIT-SERVICE,ORFS*				7	
1	48915	ELBOW,90D,520220-6.....	6	18	49143-7429	HOSE ASSY,1/2,90 FEM,STR FEM.....	1
2	48918	TEE,RUN,520428-6.....	4			8	
3	49104-9334	HOSE ASSEMBLY,3/8".....	2	19	49142-3187	HOSE ASSEMBLY,1/2".....	1
		1				9	
4	49105-6482	HOSE ASSEMBLY,3/8".....	2	20	48938	FITTING,TEE,RUN,SWIVEL520432-8.2	
		2		21	49141-4013	HOSE ASSY,1/2,45 FEM,STR FEM.....	1
5	48963	FITTING,ELBOW,45D,520320-12***	3			10	
6	49128-5234	HOSE ASSEMBLY,3/8".....	1	22	48968	CONN,BULKHEAD,520601-12.....	4
		3		23	49130-3907	HOSE ASSEMBLY,3/8".....	1
7	49151-2473	HOSE ASSY,3/4,STR FEM,STR FEM.....	1			11	
		4		24	49183-4242	HOSE ASSY,1/2,STR FEM,STR FEM.....	1
8	48964	FITTING,TEE,RUN,SWIVEL52043212.1				12	
9	48960	FITTING,CONN,520120-12.....	7	25	49157-3660	HOSE ASSEMBLY,3/4".....	4
10	49154-3270	HOSE ASSEMBLY,3/4".....	1			12	
		5		26	48933	CONN,520120-8***	2
11	49156-3156	HOSE ASSY,3/4,90 FEM,STR FEM.....	1	27	48976	ELBOW,90D,520220-12-16.....	4
		6		28	48947	ELBOW,90D,520220-8-12.....	2
12	48997	NIPPLE,DIAGNOSTIC,#4 PORT***	1	29	48904	ELBOW,90D,520220-4-4.....	2
--	20224	DIAGNOSTIC FEMALE Q-DSCNT.....	1	30	49120-10856	HOSE ASSEMBLY,1/4".....	1
						13	
13	48881	UNION,520101-6,ORFS.....	1	31	49130-9757	HOSE ASSEMBLY,3/8".....	1
		<i>includes locknut</i>				13	
14	49156-2631	HOSE ASSY,3/4,90 FEM,STR FEM.....	1	32	49118-11533	HOSE ASSEMBLY,1/4".....	1
		7				14	
15	49156-1956	HOSE ASSY,3/4,90 FEM,STR FEM.....	1				
		7					
--	49612	O-RING KIT (ORFS FITTINGS).....	1				
--	49613	PLUG AND CAP KIT-SERVICE,ORFS*.....	1				
16	49156-3506	HOSE ASSY,3/4,90 FEM,STR FEM.....	1				
		7					

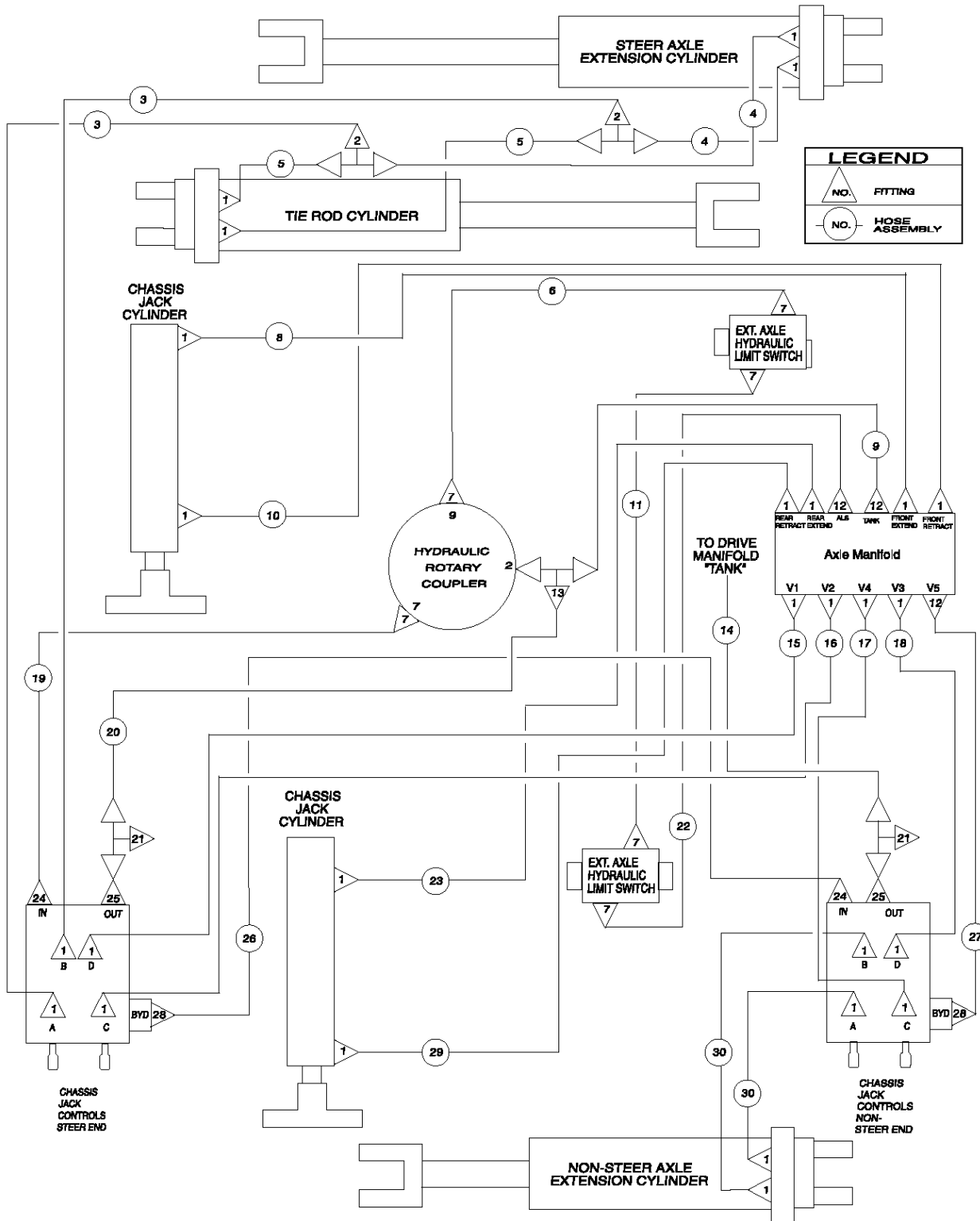
209.1 Hydraulic Hoses and Fittings - Drive and Steer System
(continued)

Item	Part No.	Description	Qty.	Item	Part No.	Description	Qty.
------	----------	-------------	------	------	----------	-------------	------

209.1 Hydraulic Hoses and Fittings - Drive and Steer System

Item	Part No.	Description	Qty.	Item	Part No.	Description	Qty.
Footnotes							
		1: Hose End - Female, Swivel, ORFS (Parker No. 1JC43-6), Hose End - Female, Swivel, 90°, ORFS (Parker No. 1J943-6) and Hose, 3/8 inch (Parker No. 381-6)		11: Hose End - Female, Swivel, ORFS (Parker No. 1JC43-6), Hose End - Female, Swivel, ORFS (Parker No. 1JC43-6) and Hose, 3/8 inch (Parker No. 451TC-6)			
		2: Hose End - Female, Swivel, ORFS (Parker No. 1JC43-6), Hose End - Female, Swivel, ORFS (Parker No. 1JC43-6) and Hose, 3/8 inch (Parker No. 381-6)		12: Hose End - Female, Swivel, ORFS (Parker No. 1JC43-8), Hose End - Female, Swivel, ORFS (Parker No. 1JC43-8) and Hose, 1/2 inch (Parker No. 451TC-8)			
		3: Hose End - Female, Swivel, ORFS (Parker No. 1JC43-6), Hose End - Female, Swivel, 90°, ORFS (Parker No. 1J943-6) and Hose, 3/8 inch (Parker No. 451TC-6)		13: Hose End - Female, Swivel, ORFS (Parker No. 1JC43-4), Hose End - Female, Swivel, ORFS (Parker No. 1JC43-6-4) and Hose, 1/4 inch (Parker No. 451TC-4)			
		4: Hose End - Female, Swivel, ORFS (Parker No. 1JC43-12), Hose End - Female, Swivel, ORFS (Parker No. 1JC43-12) and Hose, 3/4 inch (Parker No. 481-12)		14: Hose End - Female, Swivel, ORFS (Parker No. 1JC43-4), Hose End - Female, Swivel, 90°, ORFS (Parker No. 1J943-6-4) and Hose, 1/4 inch (Parker No. 451TC-4)			
		5: Hose End - Female, Swivel, ORFS (Parker No. 1JC71-12), Hose End - Female, Swivel, 90°, Lrg ORFS (Parker No. 1J971-12) and Hose, 3/4 inch (Parker No. 772-12)					
		6: Hose End - Female, Swivel, ORFS (Parker No. 1JC71-12), Hose End - Female, Swivel, 90°, ORFS (Parker No. 1J971-12) and Hose, 3/4 inch (Parker No. 772-12)					
		7: Hose End - Female, Swivel, ORFS (Parker No. 1JC71-12), Hose End - Female, Swivel, ORFS (Parker No. 1JC71-12) and Hose, 3/4 inch (Parker No. 772-12)					
		8: Hose End - Female, Swivel, ORFS (Parker No. 1JC43-8), Hose End - Female, Swivel, 90°, ORFS (Parker No. 1J943-8) and Hose, 1/2 inch (Parker No. 451TC-8)					
		9: Hose End - Female, Swivel, ORFS (Parker No. 1JC43-8), Hose End - Female, Swivel, 90°, ORFS (Parker No. 1J943-12-8) and Hose, 1/2 inch (Parker No. 451TC-8)					
		10: Hose End - Female, Swivel, 45°, Lrg ORFS (Parker No. 1J743-8), Hose End - Female, Swivel, ORFS (Parker No. 1JC43-10-8) and Hose, 1/2 inch (Parker No. 451TC-8)					

210.1 Hydraulic Hoses and Fittings - Extendable Axle System



210.1 Hydraulic Hoses and Fittings - Extendable Axle System

Item	Part No.	Description	Qty.	Item	Part No.	Description	Qty.
--	49612	O-RING KIT (ORFS FITTINGS)		17	49117-4016	HOSE ASSY,1/4,90 FEM,STR FEM.....	1
--	49613	PLUG AND CAP KIT-SERVICE,ORFS*				4	
1	48912	CONN,520120-4-6***	26	18	49117-3916	HOSE ASSY,1/4,90 FEM,STR FEM.....	1
2	48909	TEE,BULKHEAD,RUN,520958-4	2			4	
3	49117-11741	HOSE ASSY,1/4,90 FEM,STR FEM.....	2	19	49119-6403	HOSE ASSY,1/4,STR FEM,STR FEM.....	1
			1			4	
4	49119-3428	HOSE ASSY,1/4,STR FEM,STR FEM.....	2	20	49143-7429	HOSE ASSY,1/2,90 FEM,STR FEM.....	1
			2			5	
5	49119-5353	HOSE ASSY,1/4,STR FEM,STR FEM.....	2	21	48938	FITTING,TEE,RUN,SWIVEL520432-8.2	
			2	22	49118-3858	HOSE ASSEMBLY,1/4"	1
6	49119-7353	HOSE ASSY,1/4,STR FEM,STR FEM.....	1			6	
			2	23	49117-1941	HOSE ASSY,1/4,90 FEM,STR FEM.....	1
7	48911	ELBOW,90D,520220-4-6***	5			6	
8	49119-7103	HOSE ASSY,1/4,STR FEM,STR FEM.....	1	24	48914	CONN,520120-4-8	2
			2	25	48933	CONN,520120-8***	2
9	49135-4714	HOSE ASSEMBLY,3/8"	1	26	49117-2441	HOSE ASSY,1/4,90 FEM,STR FEM.....	1
			3			6	
10	49119-7603	HOSE ASSY,1/4,STR FEM,STR FEM.....	1	27	49130-3907	HOSE ASSEMBLY,3/8"	1
			3			7	
11	49119-14203	HOSE ASSY,1/4,STR FEM,STR FEM.....	1	28	48915	ELBOW,90D,520220-6	2
			3	29	49117-2316	HOSE ASSY,1/4,90 FEM,STR FEM.....	1
12	48916	FITTING,CONN,520120-6	3			7	
13	48935	TEE,RUN,520428-8	1	30	49117-4491	HOSE ASSY,1/4,90 FEM,STR FEM.....	2
14	49142-3187	HOSE ASSEMBLY,1/2"	1			7	
			4				
15	49117-2291	HOSE ASSY,1/4,90 FEM,STR FEM.....	1				
			4				
--	49612	O-RING KIT (ORFS FITTINGS)	1				
--	49613	PLUG AND CAP KIT-SERVICE,ORFS*	1				
16	49117-2591	HOSE ASSY,1/4,90 FEM,STR FEM**	1				
			4				

210.1 Hydraulic Hoses and Fittings - Extendable Axle System (continued)

Item	Part No.	Description	Qty.
------	----------	-------------	------

Footnotes

1: Hose End - Female, Swivel, ORFS (Parker No. 1JC43-4), Hose End - Female, Swivel, 90°, ORFS (Parker No. 1J943-4) and Hose, 1/4 inch (Parker No. 451TC-4)

2: Hose End - Female, Swivel, ORFS (Parker No. 1JC43-4), Hose End - Female, Swivel, ORFS (Parker No. 1JC43-4) and Hose, 1/4 inch (Parker No. 451TC-4)

3: Hose End - Female, Swivel, ORFS (Parker No. 1JC43-6), Hose End - Female, Swivel, ORFS (Parker No. 1JC43-8-6) and Hose, 3/8 inch (Parker No. 451TC-6)

4: Hose End - Female, Swivel, ORFS (Parker No. 1JC43-8), Hose End - Female, Swivel, 90°, ORFS (Parker No. 1J943-12-8) and Hose, 1/2 inch (Parker No. 451TC-8)

5: Hose End - Female, Swivel, ORFS (Parker No. 1JC43-8), Hose End - Female, Swivel, 90°, ORFS (Parker No. 1J943-8) and Hose, 1/2 inch (Parker No. 451TC-8)

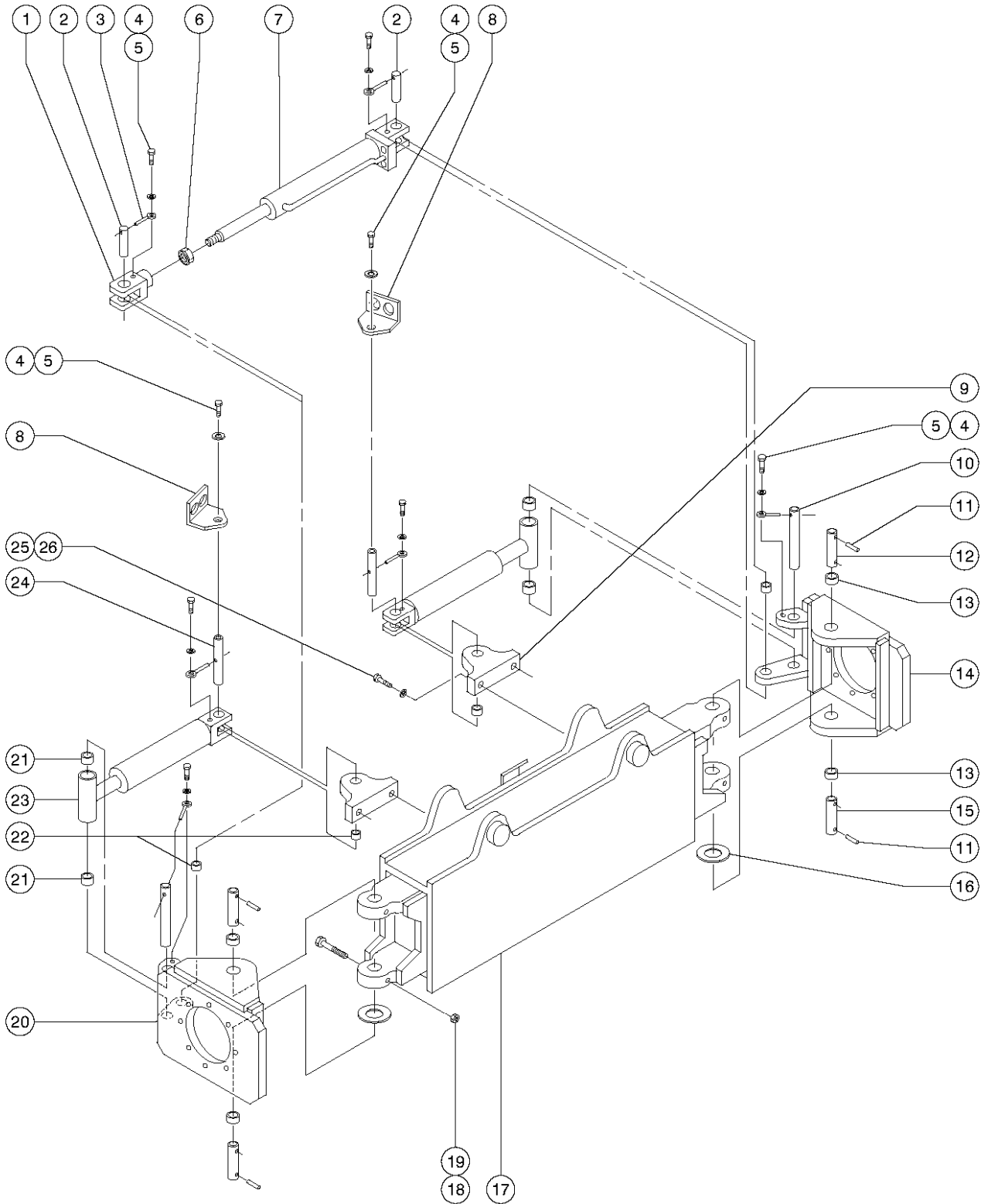
6: Hose End - Female, Swivel, ORFS (Parker No. 1JC43-4), Hose End - Female, Swivel, 90°, ORFS (Parker No. 1J943-6-4) and Hose, 1/4 inch (Parker No. 451TC-4)

7: Hose End - Female, Swivel, ORFS (Parker No. 1JC43-6), Hose End - Female, Swivel, ORFS (Parker No. 1JC43-6) and Hose, 3/8 inch (Parker No. 451TC-6)

210.1 Hydraulic Hoses and Fittings - Extendable Axle System
(continued)

This Page Intentionally Left Blank

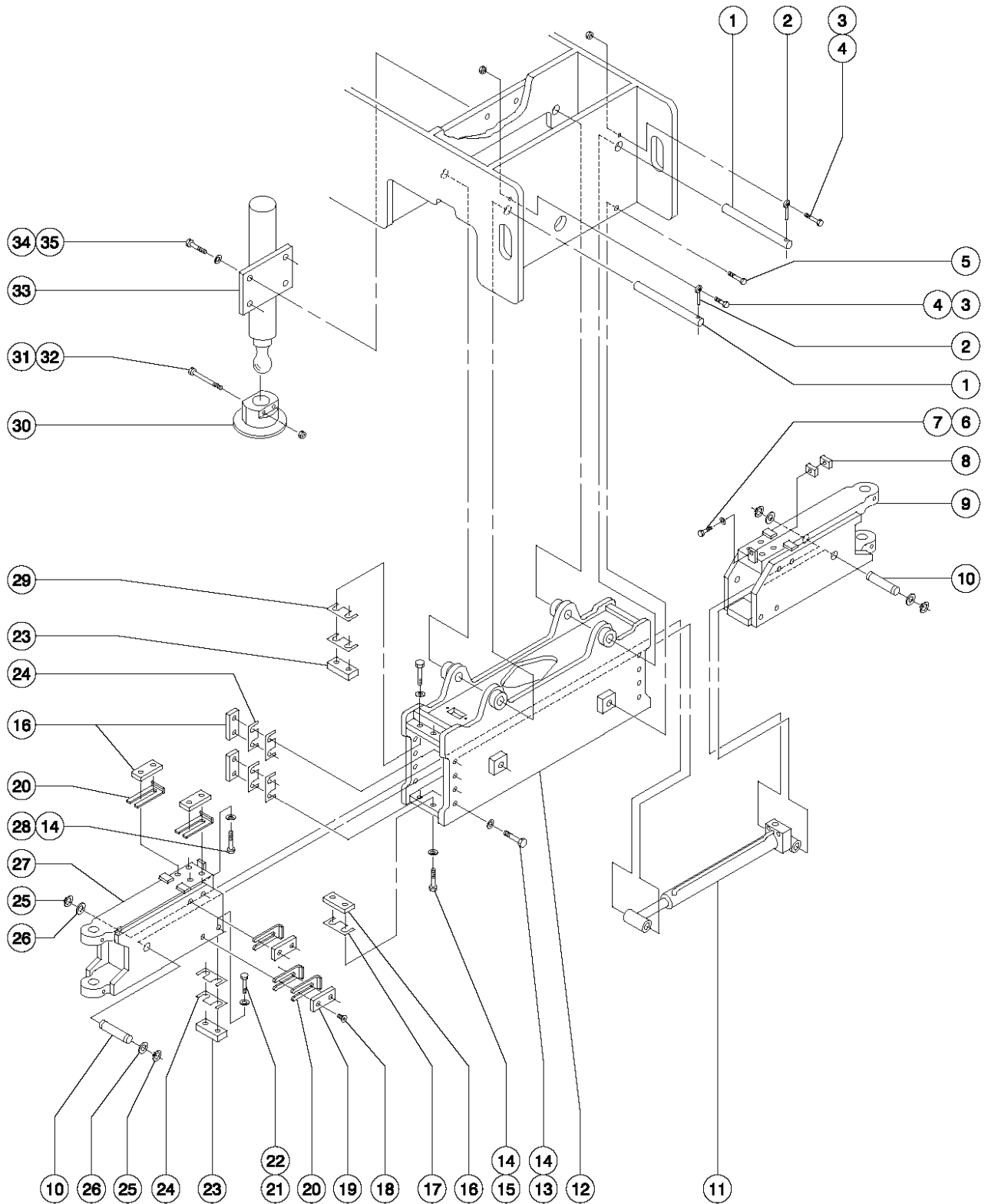
301.1 Steer Axle Linkage



301.1 Steer Axle Linkage

Item	Part No.	Description	Qty.	Item	Part No.	Description	Qty.
1	34290P-S	ADJUSTMENT LUG,1.25-7 PAINTED.....	1	--	88349	SEAL KIT,STEER CYL***..... <i>(use with cylinder 88348)</i>	2
2	34276	PIN,1.25DIAX3.37LG,1HOLE.....	2	24	35849	PIN,1.25DIAX4.19LG,THREADED...2	
3	25284	ROD END,.375 X 2.25***.....	6	25	36897	SCREW,SHC,5/8-18 X 2.25.....	4
4	6175	SCREW,HHC,3/8-16 X 1.....	8	26	42191	WASHER,FLAT,.640X1.160X.09.....	4
5	6021	WASHER,LOCK,.375.....	8				
6	27953	NUT,HEX,JAM,1.25-7.....	1				
7	81993	CYLINDER,TIE ROD, S80/S85.....	1				
--	33428	VALVE,COUNTERBALANCE.....	1				
--	63359	SEAL KIT CYL.S80(63219).....	1				
8	49424P	MOUNT, BULKHEAD FITTING.....	2				
9	36892P-S	LUG,FRONT AXLE STEERING,PAINT.....	2				
10	34275	PIN,1.25DIAX10.18LG,1HOLE.....	2				
11	14815	PIN,ROLL,SST,.25 X 2.25.....	2				
12	34274	PIN,KING,TOP,5.88 X 1.5 INCHES.....	2				
13	119619	BEARING,1.5IDX1.75ODX1.5L,PTFE.4					
14	53411-S	4WD STEER YOKE WELD L.H.,MACH..... <i>includes 2 each of index number 13 and one each of index number 22</i>	1				
15	30736	PIN,1.50 DIA X 4.76 LG.GES1360...2					
16	45074	WASHER,THRUST,1.5 X 3.5 X .187.....	2				
17	34064-S	WELDMENT,OUTER FRONT AXLE.....	1				
18	6198	NUT,NYLOCK,1/2-13.....	2				
19	12461	SCREW,HHC,1/2-13 X 5,GRD.8....2					
20	53409-S	4WD STEER YOKE WELD. R.H.,MACH..... <i>includes 2 each of index number 13 and one each of index number 22</i>	1				
21	25683	BEARING,POLYGON,20DU12..... <i>(for 34128 cylinder)</i>	4				
21	59266	BEARING, POLYGON P2055 (59105) <i>(for 59101 and 88348 cylinders)</i>					
22	34245	BEARING,1.25IDX1.50X1.25L.....	4				
23	88348	CYLINDER,STEER S80/85..... <i>includes 2 each of index number 21</i>	2				
--	31078	SEAL KIT,HYDRAULIC CYLINDER*** <i>(use with cylinder 34128)</i>					
--	59050	SEAL KIT,2.5" BORE,1.5" ROD*** <i>(use with cylinder 59101)</i>					

302.1 Extendable Steer Axle Installation



302.1 Extendable Steer Axle Installation

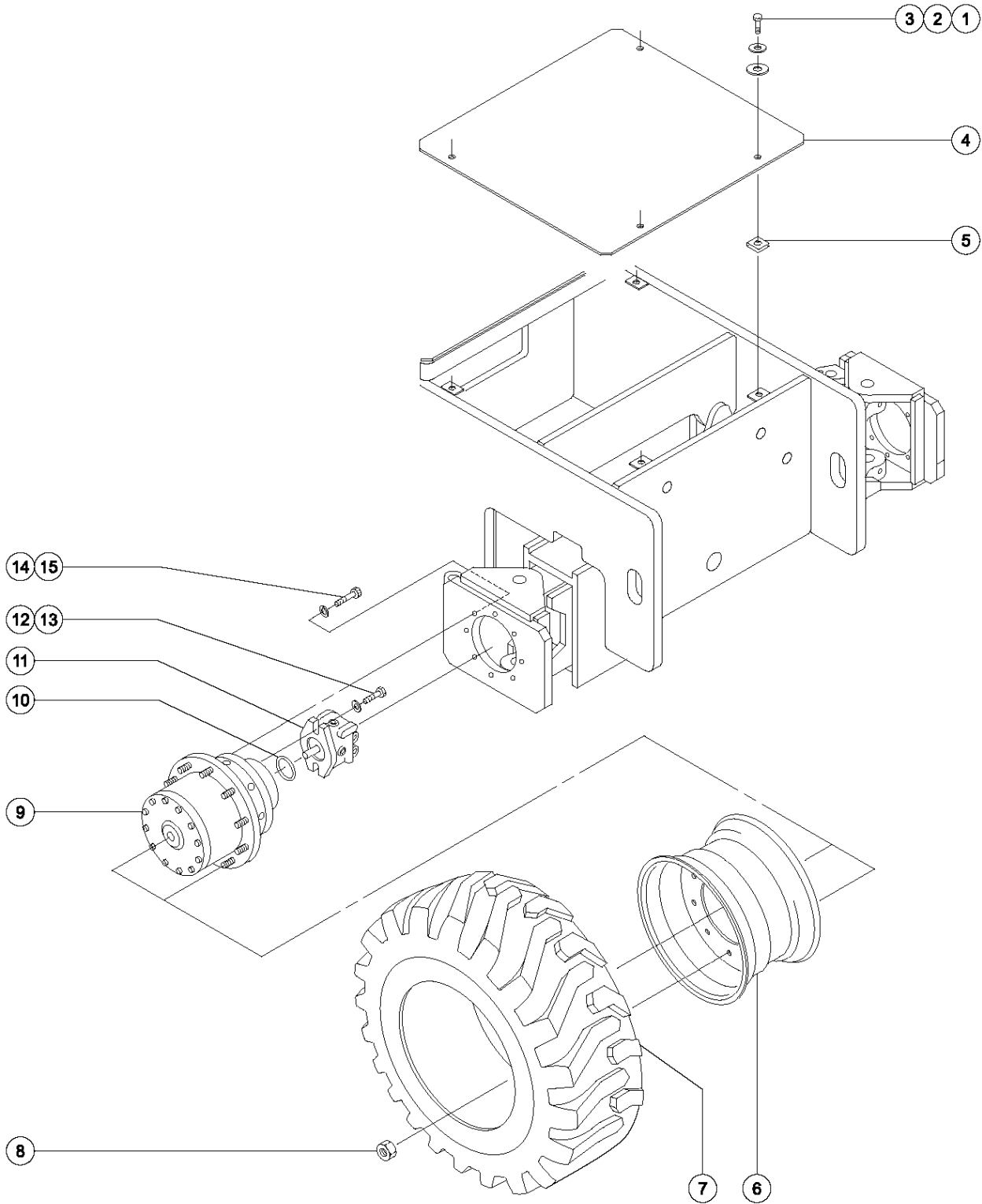
Item	Part No.	Description	Qty.
1	30731	PIN,PRIM.BOOM,16.0 X 1.5 INCH.....	2
2	30418	ROD END,.50 X 4.....	2
3	6096	SCREW,HHC,1/2-13 X 2 GR5.....	6
4	6086	NUT,LP NYLOCK,1/2-13.....	2
5	19418	SCREW,SHC,5/8-11 X 1.75.....	2
6	6888	SCREW,HHC,1/4-20 X 1.....	2
7	6356	WASHER,LOCK,.25.....	2
8	34723P-S	TAP BLOCK,AXLE ADJ.PAINTED....	2
9	40669	WLDT,INN FR AXLE LH MACHED.....	1
10	34277	PIN,1.00DIA X 6.71LG,2RING.....	2
11	63217	CYLINDER,AXLE EXTENSION,FRONT.....	1
--	33428	VALVE,COUNTERBALANCE.....	1
--	63357	SEAL KIT CYL.S80(63217).....	1
12	34064-S	WELDMENT,OUTER FRONT AXLE.....	1
13	8516	SCREW,HHC,3/8-16 X 1.50,GR5.....	16
14	6021	WASHER,LOCK,.375.....	30
15	13918	SCREW,HHC,3/8-16 X 1.75,GRD.8.....	4
16	34125	WEAR PAD,5 X 1.5 X .75 W/NUTS.....	14
17	34343	SHIM,SIDE PAD 16GA,.44 SLOT.....	16
18	16439	SCREW,FHS,3/8-16 X 1.....	16
19	34207	WEAR PAD,5 X 1.5 X .75.....	8
20	29080	SHIM,WEAR PAD,5X 1.5 16GA.....	16
21	10598	SCREW,HHC,1/2-13 X 3.....	4
22	6033	WASHER,LOCK,0.5".....	8
23	41547P-S	PAD,AXLE COMPRESSION,PAINTED.....	4
24	41555	SHIM,SIDE PAD 16GA,.56 SLOT.....	22
25	44662	SNAP RING,EXTERNAL,1.00 DIA.....	4
26	30748	WASHER,SHIM,1.01 X 1.63 X.062.....	4
27	40667	WLDT,INN FR AXLE RH MACHINED.....	1

Item	Part No.	Description	Qty.
28	6708	SCREW,HHC,3/8-16 X 2.25.....	8
29	34954	SHIM,SIDE PAD 16GA.1.5 X 3.5....	4
30	34772	CASTING,JACK FT/PAD PAINTED.....	1
31	12981	SCREW,HHC,3/8-16 X 4.5.....	2
32	4828	NUT,NYLOCK,3/8-16.....	2
33	63220	CYLINDER,JACK***.....	1
--	63360	SEAL KIT CYL.S80(63220).....	1
34	29883	SCREW,HHC,5/8-11 X 1.75 GRD.8.....	4
35	6036	WASHER,LOCK,.625 PLTD.....	4

Footnotes

1: Quantity listed for this item is approximate. Actual quantity may vary to ensure proper fit.

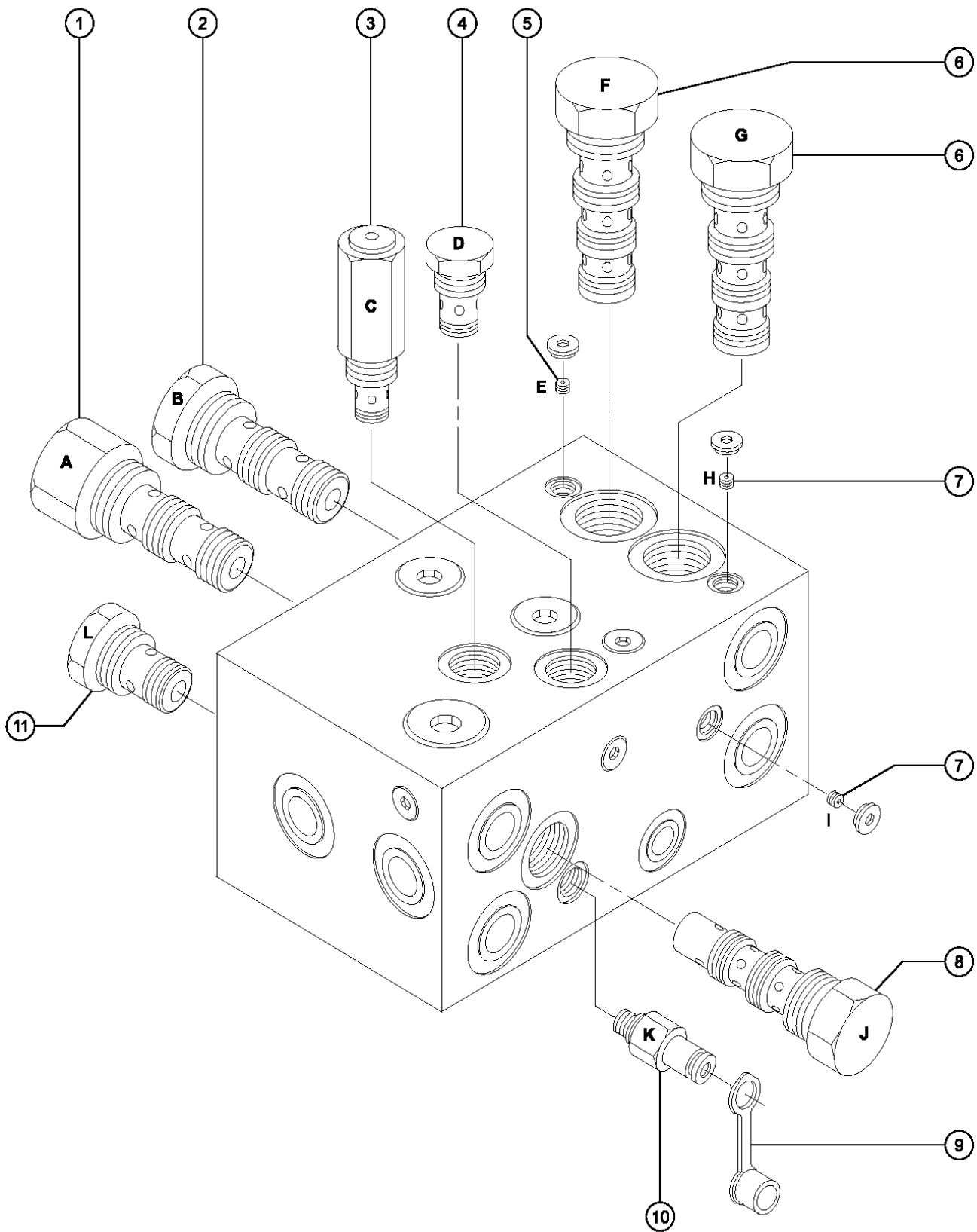
303.1 Steer Axle Wheel Drive



303.1 Steer Axle Wheel Drive

Item	Part No.	Description	Qty.
1	6090	SCREW,HHC,1/4-20 X .75.....	4
2	6356	WASHER,LOCK,.25.....	4
3	6638	WASHER,FLAT,USS,1/4"Y.....	4
4	33448	COVER W/DECALS,DR.CHAS.STR.END.....	1
5	56912	SPRING CLIP,1/4-20,.025-.15X.5.....	4
6	73190	WHEEL, 22.5 X 11.75 S80 <i>for 81528, 81529</i>	
7A	81528	TIRE & WHEEL ASSY,AIR,RH,S80.....	1
		<i>RT, Air-filled, right</i>	
7A	81529	TIRE & WHEEL ASSY,AIR,LH,S80...1	1
		<i>RT, Air-filled, left</i>	
--	81527	TIRE,15-22.5,16 PLY,HAULER S80 <i>for 81528, 81529</i>	
7B	81530	TIRE & WHEEL ASSY,FOAM RH,S80 <i>RT, Foam-filled, right</i>	
7B	81531	TIRE & WHEEL,ASSY,FOAM LH,S80 <i>RT, Foam-filled, left</i>	
8	34127	NUT,LUG,3/4-16 X 7/8 RADIUS.....	20
9	33434	WHEEL DRIVE,W3 73:1***.....	2
--	147558	KIT,BEARING,TAPERED,OUTER***	
--	147559	KIT,BEARING,TAPERED,INNER***	
--	33440	SEAL KIT,TORQUE HUB (34115)***.....	2
--	33441	STUD,WHEEL,3/4-16, (34115).....	2
--	58238	BEARING KIT,WHEEL DRIVE,S60*** <i>(includes 1 ea of 147558 and 147559)</i>	
--	58283	BOLT,COVER,WHEEL DRIVE,W3***	
10	33433	O-RING,MOTOR TORQUE HUB 34115.....	2
11	139962	MOTOR,WHEEL,25CC FIXED***.....	2
--	32675	SEAL KIT,SUNSTRAND.....	2
12	8177	SCREW,HHC,1/2-13 X 1.5.....	4
13	13066	WASHER,FLAT,.5 HARDENED.....	4
14	45066	SCREW,SHC,5/8-11 X 2.25.....	16
15	13064	WASHER,FLAT,.625 HARDENED.....	16

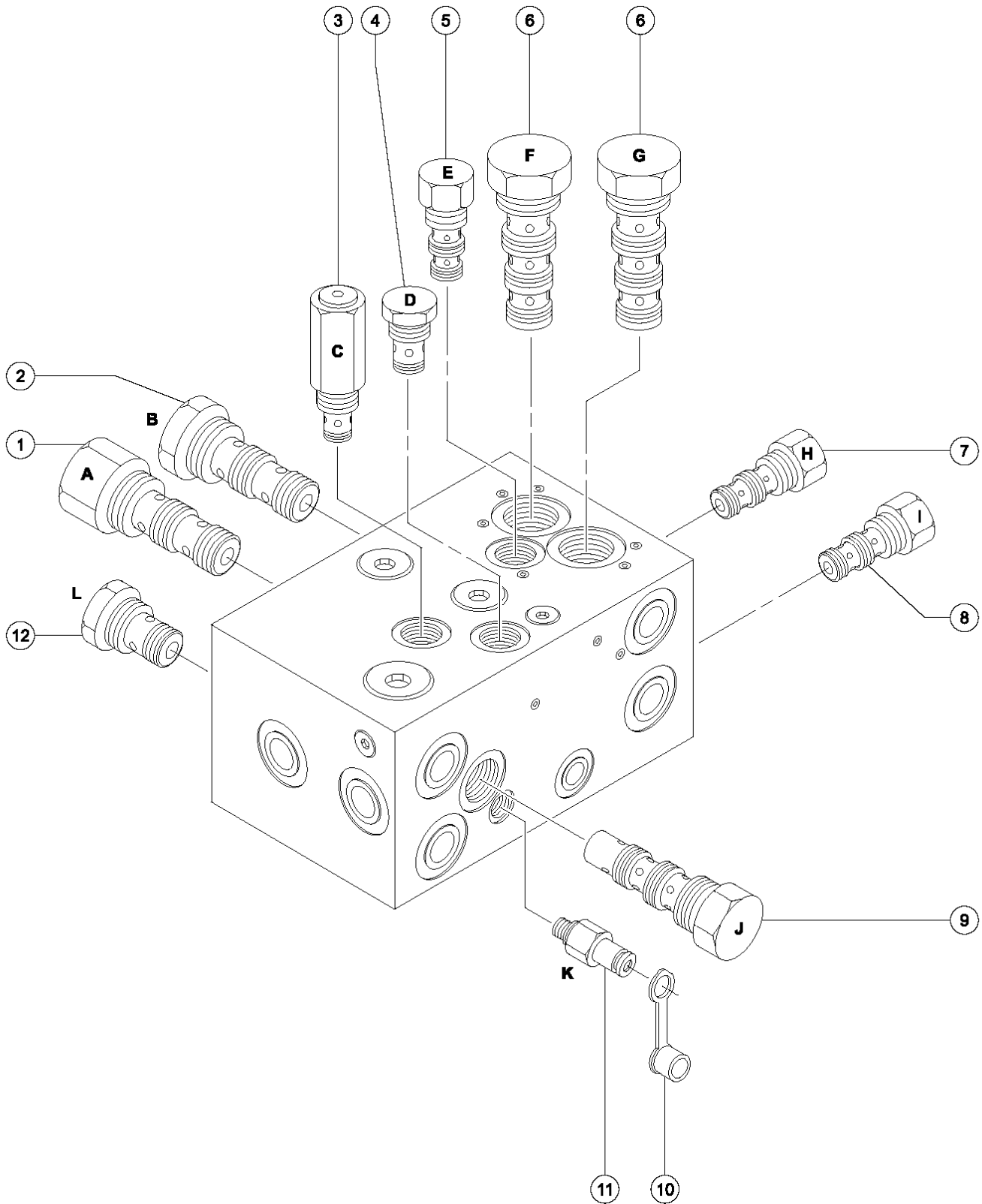
304.1 4WD Drive Manifold (to SN 2648)



304.1 4WD Drive Manifold (to SN 2648)

Item	Part No.	Description	Qty.	Item	Part No.	Description	Qty.
A		Directional control valve <i>Divider bypass</i>		9	48880	CAP,DIAGNOSTIC NIPPLE.....	1
B		Flow divider/combiner <i>Drive circuit</i>		10	48997	NIPPLE,DIAGNOSTIC,#4 PORT***	1
C		Relief valve, 210 psi <i>Charge pressure circuit</i>		--	20224	DIAGNOSTIC FEMALE Q-DSCNT	1
D		Check valve <i>Divider bypass circuit</i>		11	23938	VALVE,CHECK 45027,20419.....	1
E		Orifice plug <i>Steer End drive motor orifice</i>					
F		Flow divider/combiner <i>Steer End wheel drive circuit</i>					
G		Flow divider valve <i>Non - Steer wheel drive circuit</i>					
H		Orifice plug <i>Non - Steer drive motor orifice</i>					
I		Orifice plug <i>Drive circuit</i>					
J		Shuttle valve <i>Hot oil shuttle</i>					
K		Diagnostic nipple <i>Testing</i>					
L		Check valve <i>Divider bypass circuit</i>					
--	28750	O-RING KIT,FIELD SVC,ALL PROD*					
--	33994	PLUG AND CAP KIT-SERVICE,37ø**					
--	40033	MANIFOLD,TRCN W/BYPASS,4WD*** <i>includes index numbers 1 through 8 and 11; Complete</i>					
--	49612	O-RING KIT (ORFS FITTINGS)					
--	49613	PLUG AND CAP KIT-SERVICE,ORFS*					
1	48658	VALVE,DIRECT. CONTROL,4WD S60.....	1				
2	33521	VALVE,FLOW DIVIDER/COMBINER.....	1				
3	43597	VALVE,RELIEF,210 PSI.....	1				
4	33562	VALVE,CHECK,PILOT OPERATED.....	1				
5	29737	PLUG,ORIFICE,0.052 INCH.....	1				
6	52726	VALVE,FLOW DIVIDER/COMBINER.....	2				
7	33520	PLUG,ORIFICE,0.070.....	2				
8	27761	VALVE,SHUTTLE.....	1				

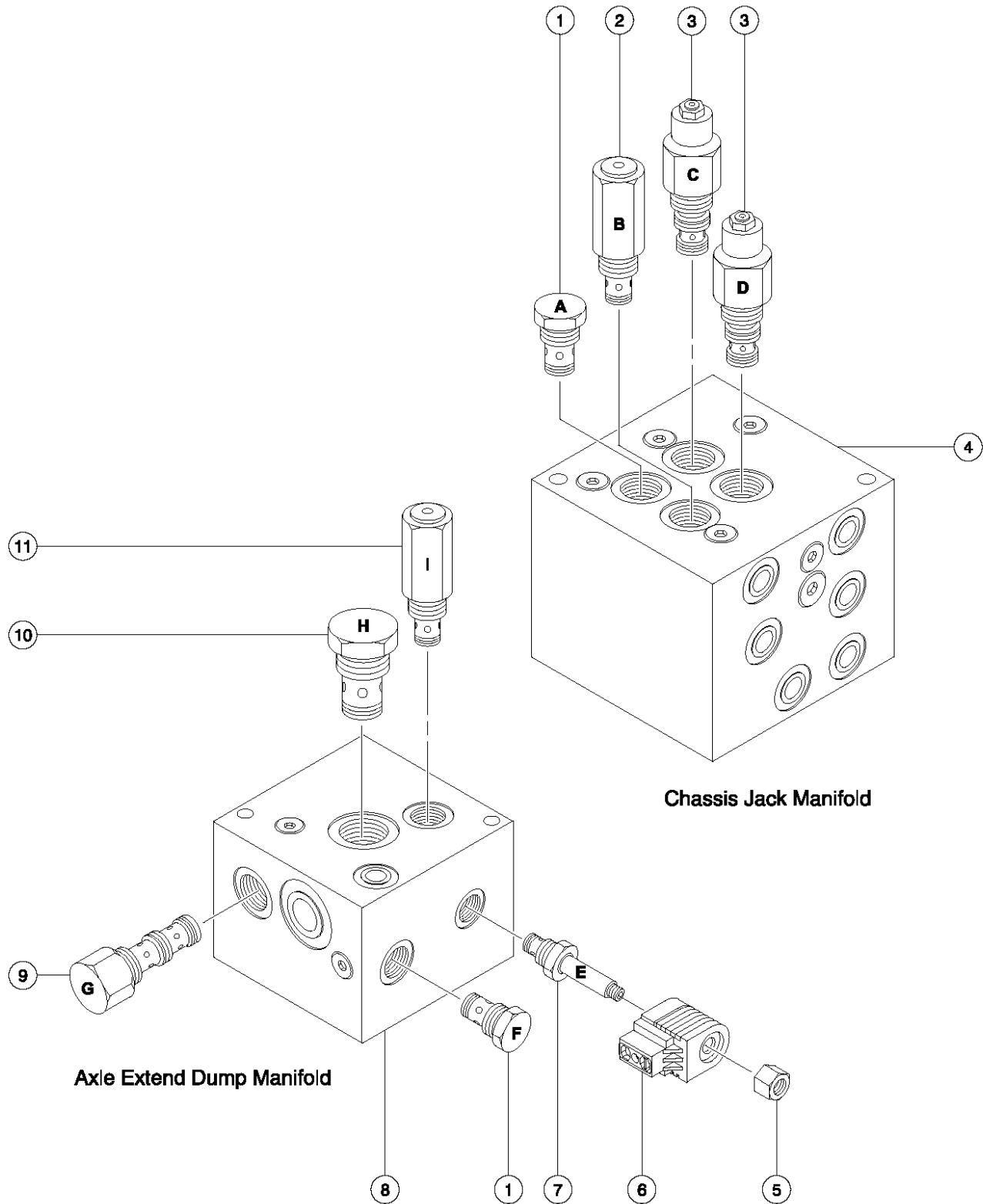
304.2 4WD Drive Manifold (from SN 2649)



304.2 4WD Drive Manifold (from SN 2649)

Item	Part No.	Description	Qty.	Item	Part No.	Description	Qty.
A		Directional control valve <i>Divider bypass</i>		8	73084	VALVE FLOW CONTROL 3.0 GPM.....	1
B		Flow divider/combiner <i>Drive circuit</i>		9	27761	VALVE,SHUTTLE.....	1
C		Relief valve, 210 psi <i>Charge pressure circuit</i>		10	48880	CAP,DIAGNOSTIC NIPPLE.....	1
D		Check valve <i>Divider bypass circuit</i>		11	48997	NIPPLE,DIAGNOSTIC,#4 PORT***.....	1
E		Flow Control <i>Steer End drive motor bypass</i>		--	20224	DIAGNOSTIC FEMALE Q-DSCNT.....	1
F		Flow divider/combiner <i>Steer End wheel drive circuit</i>		12	23938	VALVE,CHECK 45027,20419.....	1
G		Flow divider valve <i>Non-Steer wheel drive circuit</i>					
H		Flow Control <i>Non-Steer drive motor bypass</i>					
I		Flow Control <i>Drive circuit bypass</i>					
J		Shuttle valve <i>Hot oil shuttle</i>					
K		Diagnostic nipple <i>Testing</i>					
L		Check valve <i>Divider bypass circuit</i>					
--	28750	O-RING KIT,FIELD SVC,ALL PROD*					
--	33994	PLUG AND CAP KIT-SERVICE,37ø**					
--	49612	O-RING KIT (ORFS FITTINGS)					
--	49613	PLUG AND CAP KIT-SERVICE,ORFS*					
--	73964	Drive Manifold, 4WD, <i>includes index numbers 1 through 8 and 11; Complete</i>					
1	48658	VALVE,DIRECT. CONTROL,4WD S60.....	1				
2	33521	VALVE,FLOW DIVIDER/COMBINER.....	1				
3	43597	VALVE,RELIEF,210 PSI.....	1				
4	33562	VALVE,CHECK,PILOT OPERATED.....	1				
5	73085	VALE FLOW CONTROL 3.2 GPM....	1				
6	52726	VALVE,FLOW DIVIDER/COMBINER.....	2				
7	73030	VALVE FLOW CONTROL 2.5GPM.....	1				

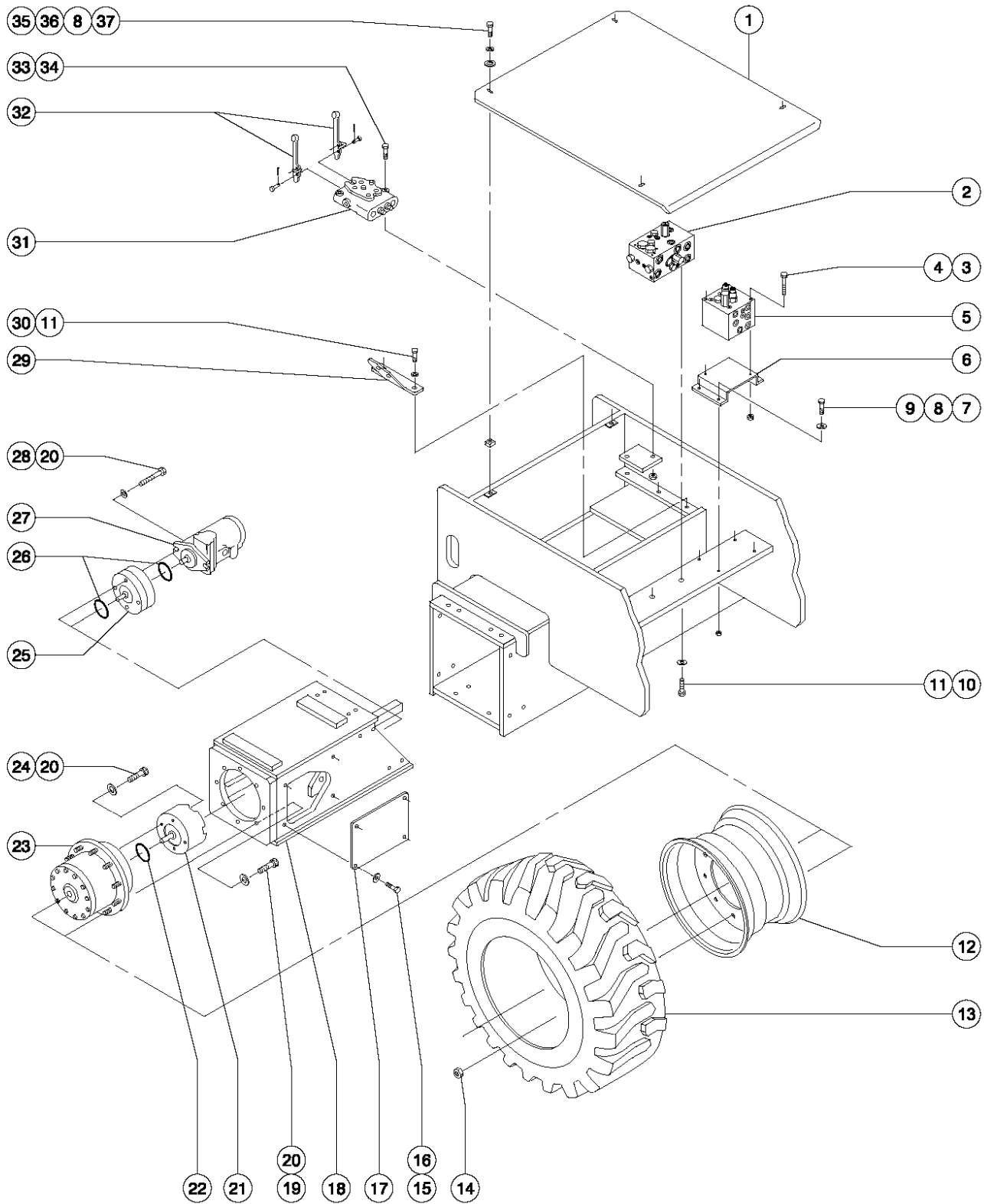
305.1 Chassis Jack and Axle Extend Dump Manifolds



305.1 Chassis Jack and Axle Extend Dump Manifolds

Item	Part No.	Description	Qty.	Item	Part No.	Description	Qty.
A		Check valve <i>Hydraulic limit switch circuit</i>		8	48536	MANIFOLD,AXLE EXTEND DUMP.....1 <i>includes 1 each index number 1 and index numbers 5, 6, 7, and 9 through 11</i>	1
B		Relief valve, 200 psi (13.8 bar) <i>Chassis Jack auto retract circuit</i>		9	58960	VALVE,FLOW REGULATOR,,3 GPM.....1	1
C		Counterbalance valve <i>Non-steer end Chassis Jack circuit</i>		10	62240	VALVE,CHECK,S80 AXLE EXT.DUMP.....1	1
D		Counterbalance valve <i>Steer end Chassis Jack circuit</i>		11	62241	VALVE,RELIEF,200 PSI (48536).....1	1
E		Solenoid valve <i>Allows chassis jacks to lift chassis when boom is in stowed position</i>					
F		Check valve <i>Prevents flow from chassis jacks through auxiliary pump</i>					
G		Regulator flow <i>Regulates flow to steer manifold</i>					
H		Check valve <i>blocks flow back to pump</i>					
I		Relief valve, 200 psi (13.8 bar) <i>Chassis jack relief circuit when boom is raised or extended</i>					
--	28750	O-RING KIT,FIELD SVC,ALL PROD*					
--	33994	PLUG AND CAP KIT-SERVICE,37ø**					
--	49612	O-RING KIT (ORFS FITTINGS)					
--	49613	PLUG AND CAP KIT-SERVICE,ORFS*					
1	45543	VALVE,CHECK, 50 PSI.....2	2				
2	62242	VALVE,RELIEF,350 PSI,CHASS.JAC.....1	1				
3	40665	VALVE,COUNTERBALANCE (36078)**.....2	2				
4	48539	MANIFOLD,CHASSIS JACK.....1 <i>includes 1 each index number 1 and index numbers 2 and 3</i>	1				
5	45912	NUT,SOLENOID,2POS 3WAY.....1	1				
6	81043	COIL,SOLENOID,8 DSD 10V,W/DIO.....1 <i>from SN 2745</i>	1				
--	27814	COIL,SOLENOID,10V.....1 <i>to SN 2744</i>	1				
7	62248	VALVE,SOLENOID (81029).....1 <i>includes index numbers 5 and 6; from SN 2745</i>	1				
--	33456	VALVE,SOLENOID (34545).....1 <i>includes index numbers 5 and 6; to SN 2744</i>	1				

306.1 Non-steer Axle, Wheels and Hubs (to SN 2732)



306.1 Non-steer Axle, Wheels and Hubs (to SN 2732)

Item	Part No.	Description	Qty.	Item	Part No.	Description	Qty.
1	33467	COVR W/DECLS,DR CHAS NS END.....1 <i>to SN 1248</i>	1	21	33436	TORQUE HUB,4:1 (30989).....2 <i>to SN 1276</i>	2
--	58020	DRIV CHAS COVER ASSY N/S END.....1 <i>from SN 1249</i>	1	--	33443	SEAL KIT,TORQUE HUB (30989)....2 <i>to SN 1276</i>	2
2	40033	MANIFOLD,TRCN W/BYPASS,4WD***.....1	1	22	33437	O-RING,TORQUE HUB (30989)....2 <i>to SN 1276</i>	2
3	49465	SCREW,HHC,5/16-18 X 5.....2	2	23A	33435	TORQUE HUB,26:1 (30989)***2 <i>to SN 1276</i>	2
4	6782	NUT,NYLOCK,5/16-18.....2	2	--	33436	TORQUE HUB,4:1 (30989).....2 <i>to SN 1276</i>	2
5	48539	MANIFOLD,CHASSIS JACK.....1	1	--	33441	STUD,WHEEL,3/4-16, (34115) <i>to SN 1276</i>	1
6	49421P-S	MOUNT, CHASSIS JACK MANIFOLD.....1	1	--	T110729	SEAL KIT,TORQUE HUB,26:1(30989 <i>to SN 1276</i>	1
7	8915	SCREW,HHC,1/4-20 X 1.25.....4	4	23B	53483	WHEEL DRIVE,HW3 87:1***2 <i>from SN 1277</i>	2
8	6638	WASHER,FLAT,USS,1/4"Y.....8	8	--	147558	KIT,BEARING,TAPERED,OUTER*** <i>(for 53483)</i>	1
9	6889	NUT,LP NYLOCK,1/4-20.....4	4	--	147559	KIT,BEARING,TAPERED,INNER*** <i>(for 53483)</i>	1
10	10597	SCREW,HHC,1/2-13 X 1.25 GR5.....3	3	--	33440	SEAL KIT,TORQUE HUB (34115)*** <i>from SN 1277</i>	1
11	6033	WASHER,LOCK,0.5".....7	7	--	33441	STUD,WHEEL,3/4-16, (34115) <i>from SN 1277</i>	1
12	73190	WHEEL, 22.5 X 11.75 S80 <i>for 81528, 81529</i>	1	24	50576	SCREW,SHC,1/2-13 X 3.00.....8 <i>to SN 1276</i>	8
13A	81528	TIRE & WHEEL ASSY,AIR,RH,S80.....1 <i>RT, Air-filled, right</i>	1	25A	73899	BRAKE, WHEEL, 1600 INLB.....2 <i>includes 2 each of index number 26. (Previous brake part 41916 is no longer available, Replaced by part 73899)</i>	2
13A	81529	TIRE & WHEEL ASSY,AIR,LH,S80...1 <i>RT, Air-filled, left</i>	1	--	65608	BEARING KIT, AUSCO*** <i>(for 73899)</i>	1
--	81527	TIRE,15-22.5,16 PLY,HAULER S80 <i>for 81528, 81529</i>	1	--	77239	LINING KIT,AUSCO BRAKE*** <i>(for 73899)</i>	1
13B	81530	TIRE & WHEEL ASSY,FOAM RH,S80 <i>RT, Foam-filled, right</i>	1	--	77240	SEAL KIT, AUSCO BRAKE*** <i>(for 73899)</i>	1
13B	81531	TIRE & WHEEL,ASSY,FOAM LH,S80 <i>RT, Foam-filled, left</i>	1	--	41920	LINING KIT,MICO BRAKE (41916).....2 <i>for MICO brake part 41916</i>	2
14	34127	NUT,LUG,3/4-16 X 7/8 RADIUS.....20	20	--	41921	SEAL KIT,BRAKE,MICO.....2 <i>for MICO brake part 41916</i>	2
15	8255	SCREW,HHC,3/8-16 X .75.....16	16	--	41922	BEARING KIT,BRAKE,MICO.....2 <i>for MICO brake part 41916</i>	2
16	6021	WASHER,LOCK,.375.....16	16	26	22811	O-RING,MOTOR TO BRAKE***4	4
17	34219P-S	COVER,REAR AXLE PAINTED.....2	2				
18		Ref. Axle Extension, Non-steer End (refer to Figure 307.1).....2	2				
19	73455	SCREW,HHC,5/8-11 X 2.25 GR8.....16	16				
20	13064	WASHER,FLAT,.625 HARDENED.....28 <i>to SN 1276</i>	28				
--	13064	WASHER,FLAT,.625 HARDENED.....20 <i>from SN 1277</i>	20				

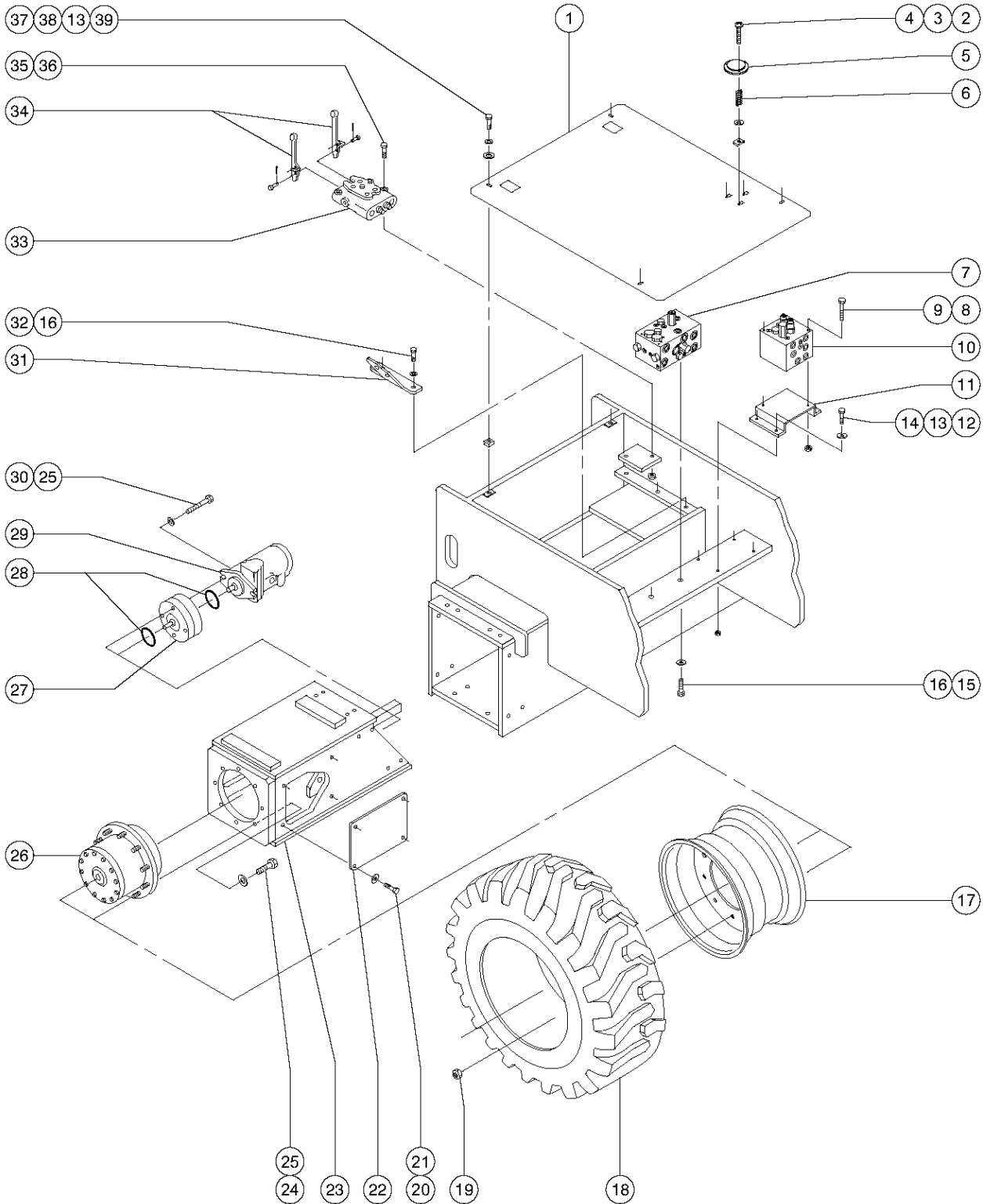
306.1 Non-steer Axle, Wheels and Hubs (to SN 2732) (continued)

Item	Part No.	Description	Qty.
27	24667	DRVE MOTOR REAR,4WD/1DEGREE.....2 <i>includes 1 each of index number 26</i>	
--	49897	GASKET,TURTLE,DRV MTR,EDC	
--	65865	SEAL KIT, SUNSTRAND	
--	83081	COVER, SERVO (24667)	
28	7261	SCREW,HHC,1/2-13 X 5 BLACK.....4 <i>for Mico Brakes</i>	
--	56680	SCREW,SHC,1/2-13 X 4.50 ZINC <i>for Ausco Brakes</i>	
29	34719P-S	BRACKET,HOSE SUPPORT PAINTED.....2	
30	6096	SCREW,HHC,1/2-13 X 2 GR5.....4	
31	34134	VALVE,MANUAL,3 POS-4 WAY,2SPL.....2	
--	33469	SEAL KIT,3POS,4WAY VALVE-34134.....2	
32	34135	HANDLE KIT,SPOOL.....4 <i>includes mounting fasteners</i>	
33	6884	SCREW,HHC,1/4-20 X 2.5.....4	
34	6091	NUT,NYLOCK,1/4-20.....4	
35	6090	SCREW,HHC,1/4-20 X .75.....4	
36	6356	WASHER,LOCK,.25.....4	
37	56912	SPRING CLIP,1/4-20,.025-.15X.5.....4	

306.1 Non-steer Axle, Wheels and Hubs (to SN 2732)
(continued)

This Page Intentionally Left Blank

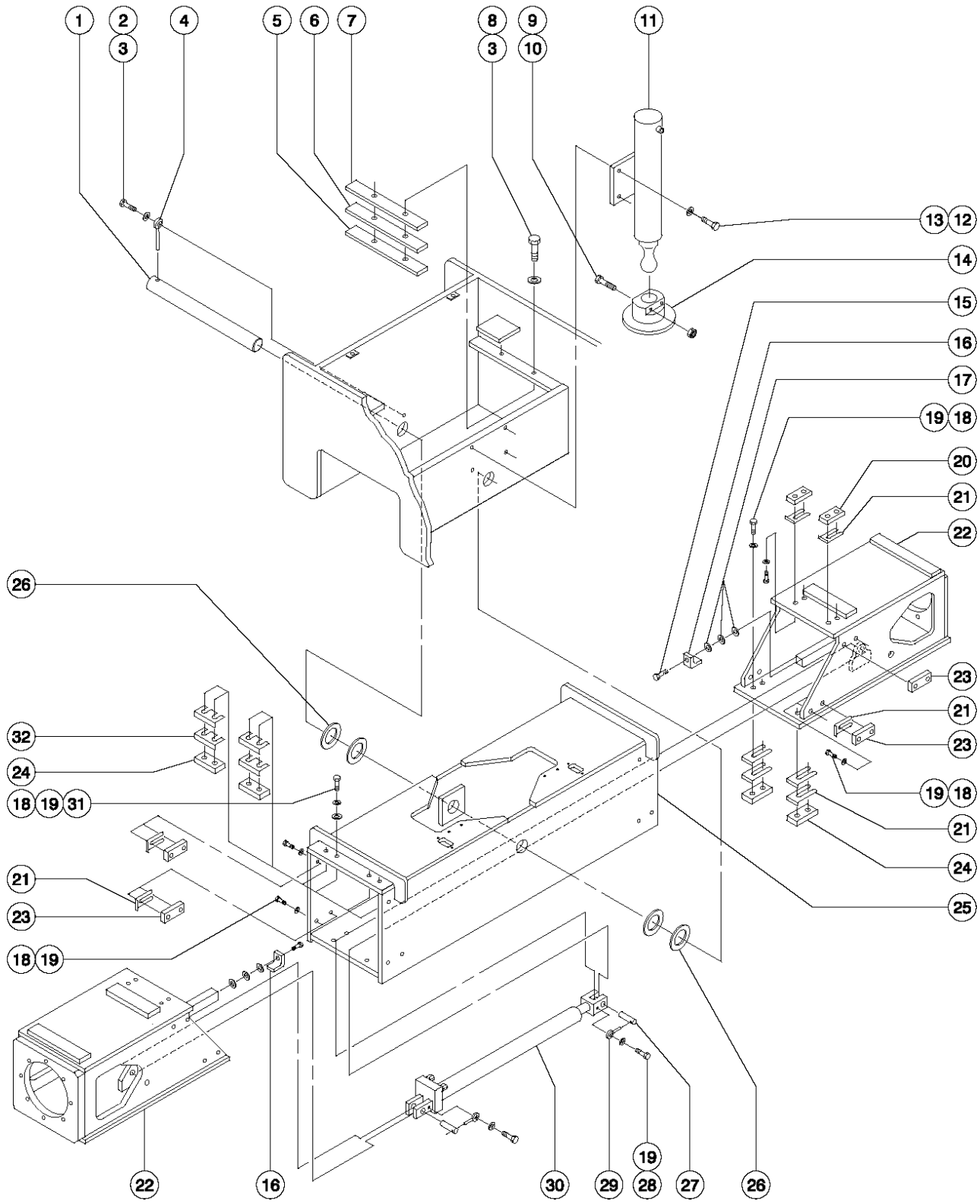
306.2 Non-steer Axle, Wheels and Hubs (from SN 2733)



306.2 Non-steer Axle, Wheels and Hubs (from SN 2733)

Item	Part No.	Description	Qty.	Item	Part No.	Description	Qty.
1	58020	DRIV CHAS COVER ASSY N/S END <i>from SN 2733</i>		24	73455	SCREW,HHC,5/8-11 X 2.25 GR8.....	16
2	73634	SCREW,PHIL,PHM,10-24X1.5 ZINC.....	3	25	13064	WASHER,FLAT,.625 HARDENED.....	20
		<i>CE models; from SN 2733</i>				<i>from SN 1277</i>	
3	6146	WASHER,FLAT,MS,#10,Y.....	3	26	53483	WHEEL DRIVE,HW3 87:1***.....	2
		<i>CE models; from SN 2733</i>		--	147558	KIT,BEARING,TAPERED,OUTER*** <i>(for 53483)</i>	
4	73575	SPRING CLIP,10-24,ZINC.....	3	--	147559	KIT,BEARING,TAPERED,INNER*** <i>(for 53483)</i>	
		<i>CE models; from SN 2733</i>		--	33440	SEAL KIT,TORQUE HUB <i>(34115)***</i>	2
5	77026	LEVEL,BUBBLE,2 DEGREE *.....	1	--	33441	STUD,WHEEL,3/4-16, (34115).....	2
		<i>CE models; from SN 2733</i>		27	73899	BRAKE, WHEEL, 1600 INLB.....	2
6	77027	SPRING,1X.31 ODX.040WIRE,SS.....	1			<i>includes 2 each of index number 28</i>	
		<i>CE models; from SN 2733</i>		--	65608	BEARING KIT, AUSCO***.....	2
7	40033	MANIFOLD,TRCN W/BYPASS,4WD***.....	1	--	77239	LINING KIT,AUSCO BRAKE***.....	2
8	49465	SCREW,HHC,5/16-18 X 5.....	2	--	77240	SEAL KIT, AUSCO BRAKE***.....	2
9	6782	NUT,NYLOCK,5/16-18.....	2	28	22811	O-RING,MOTOR TO BRAKE***.....	4
10	48539	MANIFOLD,CHASSIS JACK.....	1	29	24667	DRVE MOTOR REAR,4WD/1DEGREE.....	2
11	49421P-S	MOUNT, CHASSIS JACK MANIFOLD.....	1			<i>includes 1 each of index number 29</i>	
12	8915	SCREW,HHC,1/4-20 X 1.25.....	4	--	49897	GASKET,TURTLE,DRV MTR,EDC	
13	6638	WASHER,FLAT,USS,1/4"Y.....	8	--	65865	SEAL KIT, SUNSTRAND.....	2
14	6889	NUT,LP NYLOCK,1/4-20.....	4	--	83081	COVER, SERVO (24667)	
15	10597	SCREW,HHC,1/2-13 X 1.25 GR5.....	3	30	56680	SCREW,SHC,1/2-13 X 4.50 ZINC....	4
16	6033	WASHER,LOCK,0.5".....	7	31	34719P-S	BRACKET,HOSE SUPPORT PAINTED.....	2
17	73190	WHEEL, 22.5 X 11.75 S80 <i>for 81528, 81529</i>		32	6096	SCREW,HHC,1/2-13 X 2 GR5.....	4
18A	81528	TIRE & WHEEL ASSY,AIR,RH,S80.....	1	33	34134	VALVE,MANUAL,3 POS-4 WAY,2SPL.....	2
		<i>RT, Air-filled, right</i>		--	33469	SEAL KIT,3POS,4WAY VALVE-34134.....	2
18A	81529	TIRE & WHEEL ASSY,AIR,LH,S80...1 <i>RT, Air-filled, left</i>	1	34	34135	HANDLE KIT,SPOOL.....	4
--	81527	TIRE,15-22.5,16 PLY,HAULER S80 <i>for 81528, 81529</i>				<i>includes mounting fasteners</i>	
18B	81530	TIRE & WHEEL ASSY,FOAM RH,S80 <i>RT, Foam-filled, right</i>		35	6884	SCREW,HHC,1/4-20 X 2.5.....	4
18B	81531	TIRE & WHEEL,ASSY,FOAM LH,S80 <i>RT, Foam-filled, left</i>		36	6091	NUT,NYLOCK,1/4-20.....	4
19	34127	NUT,LUG,3/4-16 X 7/8 RADIUS.....	20	37	6090	SCREW,HHC,1/4-20 X .75.....	4
20	8255	SCREW,HHC,3/8-16 X .75.....	16	38	6356	WASHER,LOCK,.25.....	4
21	6021	WASHER,LOCK,.375.....	16	39	56912	SPRING CLIP,1/4-20,.025-.15X.5....	4
22	34219P-S	COVER,REAR AXLE PAINTED.....	2				
23		Ref. Axle Extension, Non-steer End.....	2				
		<i>(refer to Figure 307.1)</i>					

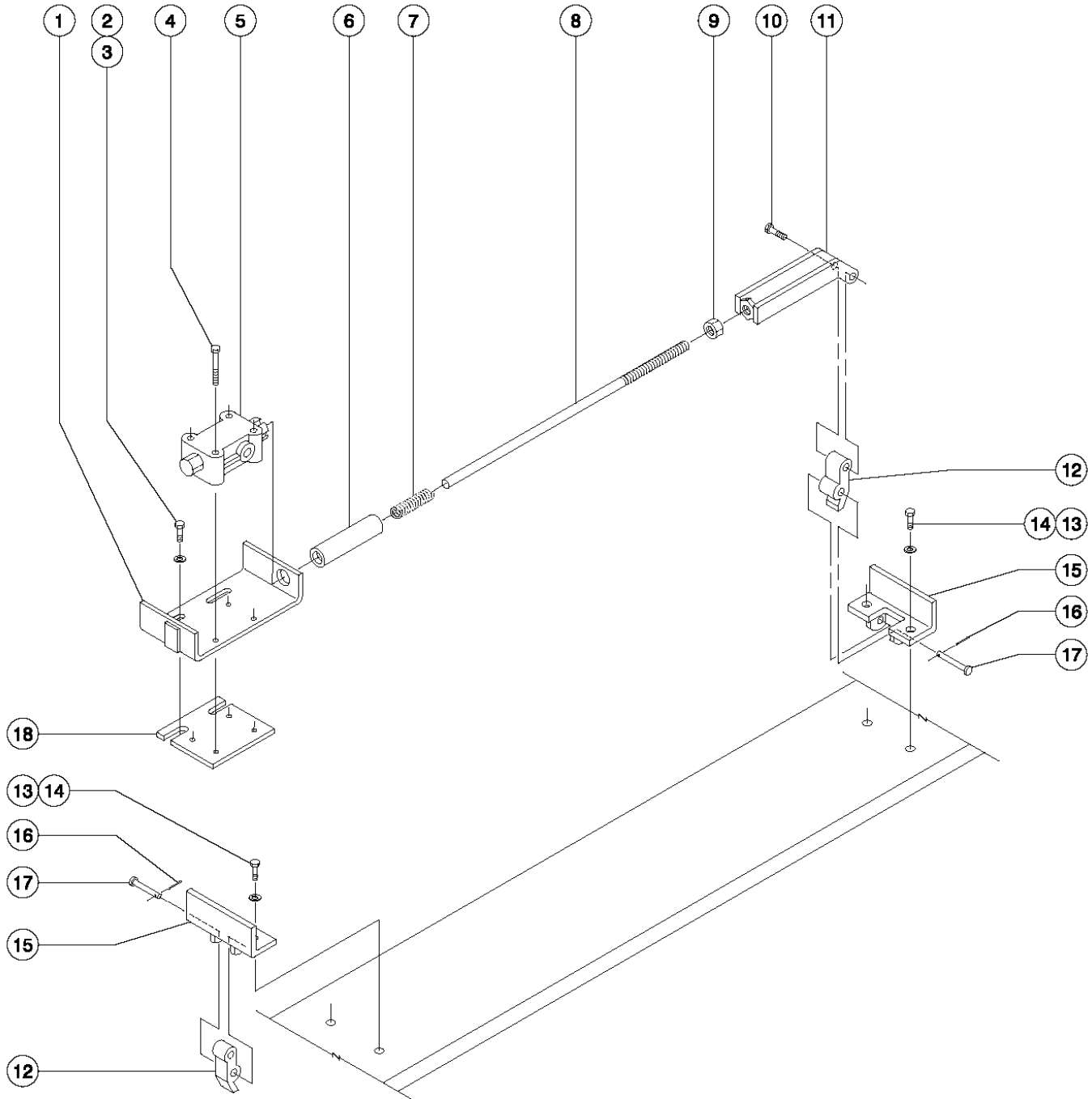
307.1 Extendable Non-Steer Axle Installation



307.1 Extendable Non-Steer Axle Installation

Item	Part No.	Description	Qty.	Item	Part No.	Description	Qty.
1	34273	PIN,2.50DIAX21.12LG,1HOLE.....	1	26	29746	WASHER,FLAT,2.5 X 4 X .062.....	6
2	10597	SCREW,HHC,1/2-13 X 1.25 GR5.....	1			1	
3	6033	WASHER,LOCK,0.5".....	5	27	30734	PIN,1.00DIAX2.88LG,1HOLE.....	2
4	30418	ROD END,.50 X 4.....	1	28	6175	SCREW,HHC,3/8-16 X 1.....	2
5	34218P-S	BAR,AXLE ROTATION STOP,OSC.....	1	29	25284	ROD END,.375 X 2.25***.....	2
6	34216	SHIM,AXLE ROTATION STOP,22GA.....	2	30	63218	CYLINDER,AXLE EXT,REAR.....	1
		1		--	33428	VALVE,COUNTERBALANCE.....	1
7	34215	SHIM,AXLE ROTATION STOP,12GA.....	2	--	63358	SEAL KIT CYL.S80(63218).....	1
		1		31	6097	WASHER,FLAT,USS,3/8",Y.....	4
8	6096	SCREW,HHC,1/2-13 X 2 GR5.....	4	32	34343	SHIM,SIDE PAD 16GA,.44 SLOT....	4
9	12981	SCREW,HHC,3/8-16 X 4.5.....	2	Footnotes			
10	4828	NUT,NYLOCK,3/8-16.....	2	1: Quantity listed for this item is approximate. Actual quantity may vary to ensure proper fit.			
11	63220	CYLINDER,JACK***.....	1				
--	63360	SEAL KIT CYL.S80(63220).....	1				
12	29883	SCREW,HHC,5/8-11 X 1.75 GRD.8.....	4				
13	6036	WASHER,LOCK,.625 PLTD.....	4				
14	34772	CASTING,JACK FT/PAD PAINTED.....	1				
15	8516	SCREW,HHC,3/8-16 X 1.50,GR5....	2				
16	34729P-S	BRACKET,ACTUATOR PAINTED....	2				
17	5397	WASHER,FLAT,USS,5/16",Y.....	6				
		1					
18	6019	SCREW,HHC,3/8-16 X 1.25 GRD 5.....	56				
19	6021	WASHER,LOCK,.375.....	58				
20	34668	WEAR PAD,W/INSERT.....	4				
21	29080	SHIM,WEAR PAD,5X 1.5 16GA....	32				
		1					
22	53404	INNER REAR AXLE WELDMENT, L.H.....	1				
--	53405	INNER REAR AXLE WELDMENT, R.H.....	1				
23	34125	WEAR PAD,5 X 1.5 X .75 W/NUTS.....	8				
24	34206	PAD,AXLE COMPRESSION,3/8"HOLES.....	8				
25	34082	WELDMENT,OUTER REAR AXLE.....	1				

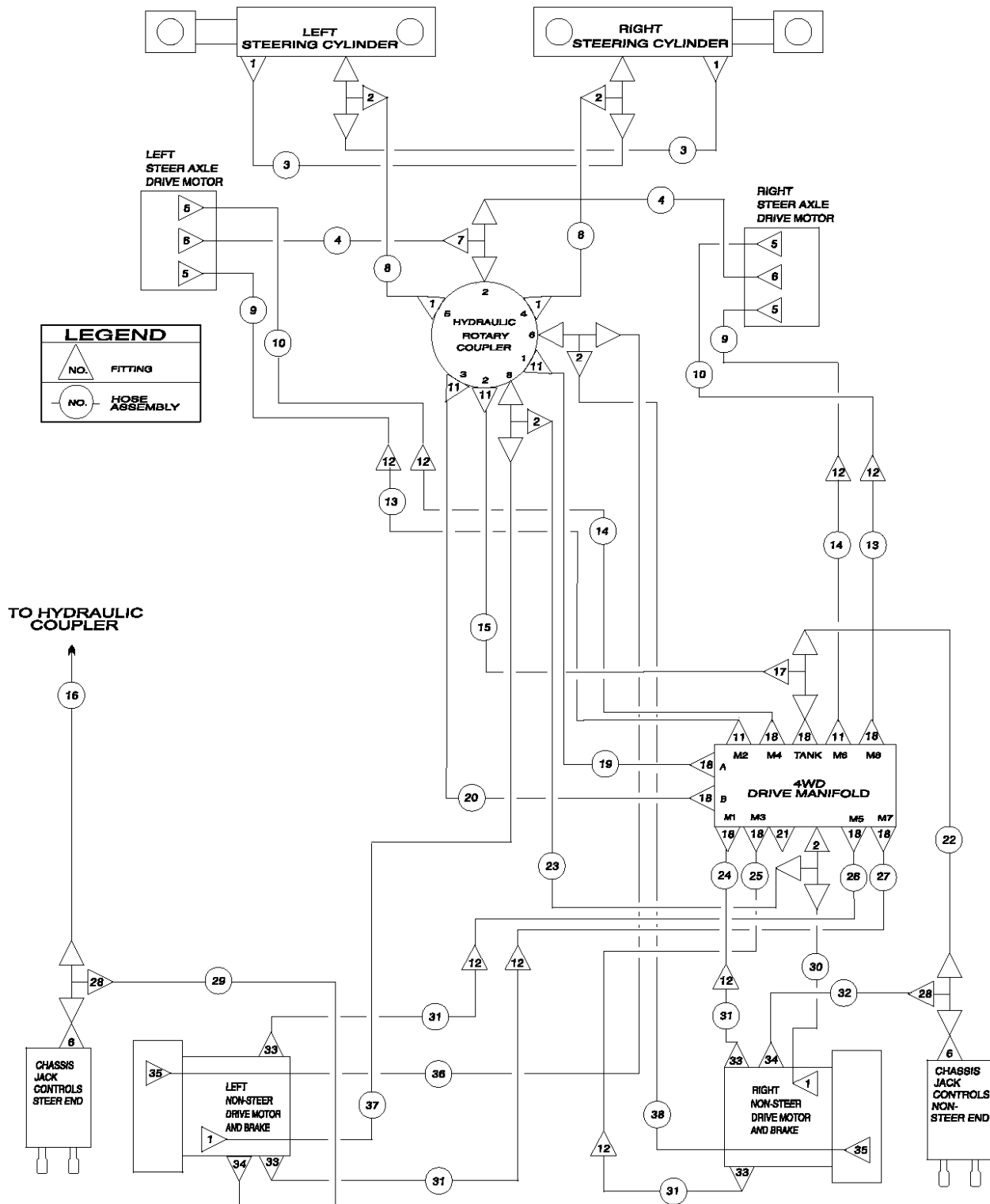
308.1 Extendable Axle Hydraulic Limit Switch Installation



308.1 Extendable Axle Hydraulic Limit Switch Installation

Item	Part No.	Description	Qty.
1	34735-S	WELDMENT,SWITCH HOLDER.....	2
2	11335	SCREW,SHS,3/8-16 X .5.....	4
3	8519	WASHER,SHIM,.5 X .875 X .033.....	4
4	4266	SCREW,HHC,1/4-20 X 2.....	8
5	34552	VALVE,DIRECTIONAL,2POS.2WAY 90.....	2
--	34552	VALVE,DIRECTIONAL,2POS.2WAY 90.....	2
6	34747	PLUNGER,CONNECTING ROD.....	2
7	34748	SPRING,AXLE CONNECTING ROD.....	2
8	34647	ROD,AXLE SWITCH CONNECT.....	2
9	45076	NUT,HEX,JAM,5/8-11.....	2
10	34732	SCREW,SHS,5/16-18 X 1.25(3/8).....	2
11	34646-S	CLEVIS,AXLE SWITCH ADJUSTMENT.....	2
12	34644P-S	LINK,AXLE SWITCH PAINTED.....	4
13	8255	SCREW,HHC,3/8-16 X .75.....	8
14	6021	WASHER,LOCK,.375.....	8
15	34645-S	WELDMENT,PIVOT BRACKET.....	4
16	12016	PIN,COTTER,.125 X .75.....	4
17	34742	PIN,CLEVIS,.375 X 1.75 LG.....	4
18	34652	SLIDE PAD,AXLE SWITCH.....	2

309.1 Hydraulic Hoses and Fittings - Drive and Steer System



309.1 Hydraulic Hoses and Fittings - Drive and Steer System

Item	Part No.	Description	Qty.	Item	Part No.	Description	Qty.
--	49612	O-RING KIT (ORFS FITTINGS)		20	49156-3156	HOSE ASSY,3/4,90 FEM,STR FEM.....	1
--	49613	PLUG AND CAP KIT-SERVICE,ORFS*					7
1	48915	ELBOW,90D,520220-6.....	6	21	48997	NIPPLE,DIAGNOSTIC,#4 PORT***.....	1
2	48918	TEE,RUN,520428-6.....	5	--	20224	DIAGNOSTIC FEMALE Q-DSCNT.....	1
3	49104-9334	HOSE ASSEMBLY,3/8".....	2				1
		1		22	49142-3187	HOSE ASSEMBLY,1/2".....	1
4	49141-10563	HOSE ASSY,1/2,45 FEM,STR FEM.....	2				8
		2		23	49128-5234	HOSE ASSEMBLY,3/8".....	1
5	48975	CONN,520120-12-10.....	4				9
6	48933	CONN,520120-8***.....	4	24	49156-2631	HOSE ASSY,3/4,90 FEM,STR FEM.....	1
7	48936	TEE,BRANCH,520429-8.....	1				9
8	49105-6482	HOSE ASSEMBLY,3/8".....	2	25	49156-1956	HOSE ASSY,3/4,90 FEM,STR FEM.....	1
		3					9
9	49156-4081	HOSE ASSY,3/4,90 FEM,STR FEM.....	2	26	49156-3506	HOSE ASSY,3/4,90 FEM,STR FEM.....	1
		4					9
10	49154-4645	HOSE ASSEMBLY,3/4".....	2	27	49156-4206	HOSE ASSY,3/4,90 FEM,STR FEM.....	1
		5					9
11	48963	FITTING,ELBOW,45D,520320-12***	5	28	48938	FITTING,TEE,RUN,SWIVEL520432-8	2
12	48968	CONN,BULKHEAD,520601-12.....	8	29	49141-4013	HOSE ASSY,1/2,45 FEM,STR FEM.....	1
13	49156-9881	HOSE ASSY,3/4,90 FEM,STR FEM.....	2				9
		5		30	49130-3907	HOSE ASSEMBLY,3/8".....	1
--	49612	O-RING KIT (ORFS FITTINGS).....	2				10
--	49613	PLUG AND CAP KIT-SERVICE,ORFS*.....	2	31	49157-3660	HOSE ASSEMBLY,3/4".....	4
14	49156-9181	HOSE ASSY,3/4,90 FEM,STR FEM.....	2				11
		5		32	49183-4242	HOSE ASSY,1/2,STR FEM,STR FEM.....	1
15	49151-2473	HOSE ASSY,3/4,STR FEM,STR FEM.....	1				12
		6		33	48976	ELBOW,90D,520220-12-16.....	4
16	49143-7429	HOSE ASSY,1/2,90 FEM,STR FEM.....	1	34	48947	ELBOW,90D,520220-8-12.....	2
		7		35	48904	ELBOW,90D,520220-4-4.....	2
17	48964	FITTING,TEE,RUN,SWIVEL520432	12	36	49120-10856	HOSE ASSEMBLY,1/4".....	1
18	48960	FITTING,CONN,520120-12.....	8				13
19	49154-3270	HOSE ASSEMBLY,3/4".....	1	37	49130-9757	HOSE ASSEMBLY,3/8".....	1
		7					13



309.1 Hydraulic Hoses and Fittings - Drive and Steer System
(continued)

Item	Part No.	Description	Qty.	Item	Part No.	Description	Qty.
38	49118-11533	HOSE ASSEMBLY,1/4".....1 14	1				

309.1 Hydraulic Hoses and Fittings - Drive and Steer System
(continued)

Item	Part No.	Description	Qty.	Item	Part No.	Description	Qty.
------	----------	-------------	------	------	----------	-------------	------

309.1 Hydraulic Hoses and Fittings - Drive and Steer System

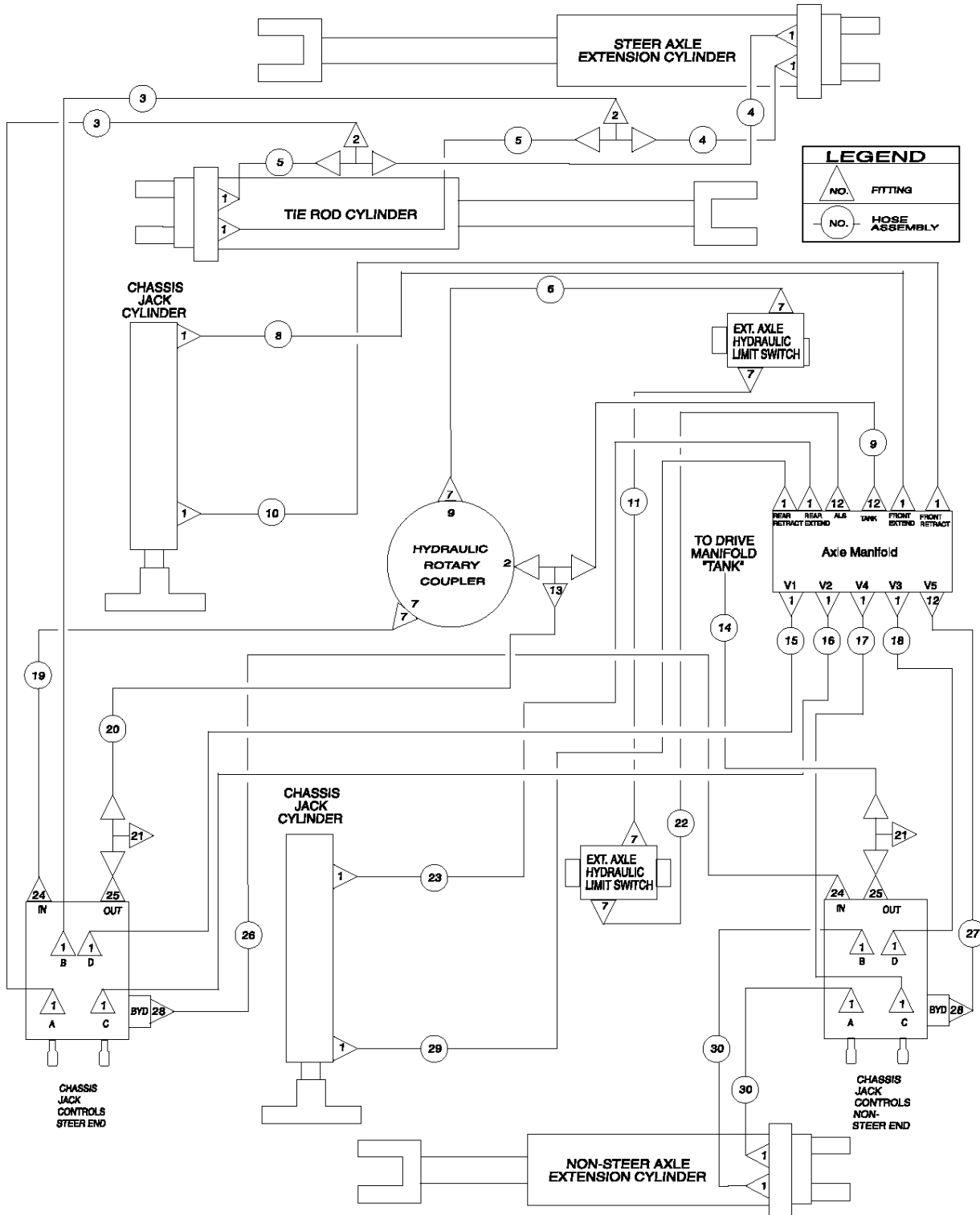
(continued)

Item	Part No.	Description	Qty.	Item	Part No.	Description	Qty.
Footnotes							
	1:	Hose End - Female, Swivel, ORFS (Parker No. 1JC43-6), Hose End - Female, Swivel, 90°, ORFS (Parker No. 1J943-6) and Hose, 3/8 inch (Parker No. 381-6)		11:	Hose End - Female, Swivel, ORFS (Parker No. 1JC71-12), Hose End - Female, Swivel, ORFS (Parker No. 1JC71-12) and Hose, 3/4 inch (Parker No. 772-12)		
	2:	Hose End - Female, Swivel, 45°, Lrg ORFS (Parker No. 1J743-8), Hose End - Female, Swivel, ORFS (Parker No. 1JC43-10-8) and Hose, 1/2 inch (Parker No. 451TC-8)		12:	Hose End - Female, Swivel, ORFS (Parker No. 1JC43-8), Hose End - Female, Swivel, ORFS (Parker No. 1JC43-8) and Hose, 1/2 inch (Parker No. 451TC-8)		
	3:	Hose End - Female, Swivel, ORFS (Parker No. 1JC43-6), Hose End - Female, Swivel, ORFS (Parker No. 1JC43-6) and Hose, 3/8 inch (Parker No. 381-6)		13:	Hose End - Female, Swivel, ORFS (Parker No. 1JC43-4), Hose End - Female, Swivel, ORFS (Parker No. 1JC43-6-4) and Hose, 1/4 inch (Parker No. 451TC-4)		
	4:	Hose End - Female, Swivel, ORFS (Parker No. 1JC71-12), Hose End - Female, Swivel, 90°, ORFS (Parker No. 1J971-12) and Hose, 3/4 inch (Parker No. 772-12)		14:	Hose End - Female, Swivel, ORFS (Parker No. 1JC43-4), Hose End - Female, Swivel, 90°, ORFS (Parker No. 1J943-6-4) and Hose, 1/4 inch (Parker No. 451TC-4)		
	5:	Hose End - Female, Swivel, ORFS (Parker No. 1JC71-12), Hose End - Female, Swivel, 90°, Lrg ORFS (Parker No. 1J971-12) and Hose, 3/4 inch (Parker No. 772-12)					
	6:	Hose End - Female, Swivel, ORFS (Parker No. 1JC43-10-8), Hose End - Female, Swivel, ORFS (Parker No. 1JC43-10-8) and Hose, 3/4 inch (Parker No. 481-12)					
	7:	Hose End - Female, Swivel, ORFS (Parker No. 1JC43-8), Hose End - Female, Swivel, 90°, ORFS (Parker No. 1J943-8) and Hose, 1/2 inch (Parker No. 451TC-8)					
	8:	Hose End - Female, Swivel, ORFS (Parker No. 1JC43-8), Hose End - Female, Swivel, 90°, ORFS (Parker No. 1J943-12-8) and Hose, 1/2 inch (Parker No. 451TC-8)					
	9:	Hose End - Female, Swivel, ORFS (Parker No. 1JC43-6), Hose End - Female, Swivel, 90°, ORFS (Parker No. 1J943-6) and Hose, 3/8 inch (Parker No. 451TC-6)					
	10:	Hose End - Female, Swivel, ORFS (Parker No. 1JC43-6), Hose End - Female, Swivel, ORFS (Parker No. 1JC43-6) and Hose, 3/8 inch (Parker No. 451TC-6)					

309.1 Hydraulic Hoses and Fittings - Drive and Steer System

This Page Intentionally Left Blank

310.1 Hydraulic Hoses and Fittings - Extendable Axle System



310.1 Hydraulic Hoses and Fittings - Extendable Axle System

Item	Part No.	Description	Qty.	Item	Part No.	Description	Qty.
--	49612	O-RING KIT (ORFS FITTINGS)		17	49117-4016	HOSE ASSY,1/4,90 FEM,STR FEM.....	1
--	49613	PLUG AND CAP KIT-SERVICE,ORFS*		4			
1	48912	CONN,520120-4-6***.....	26	18	49117-3916	HOSE ASSY,1/4,90 FEM,STR FEM.....	1
2	48909	TEE,BULKHEAD,RUN,520958-4.....	2	4			
3	49117-11741	HOSE ASSY,1/4,90 FEM,STR FEM.....	2	19	49119-6403	HOSE ASSY,1/4,STR FEM,STR FEM.....	1
			1	4			
4	49119-3428	HOSE ASSY,1/4,STR FEM,STR FEM.....	2	20	49143-7429	HOSE ASSY,1/2,90 FEM,STR FEM.....	1
			2	5			
5	49119-5353	HOSE ASSY,1/4,STR FEM,STR FEM.....	2	21	48938	FITTING,TEE,RUN,SWIVEL520432-8.2	
			2	22	49118-3858	HOSE ASSEMBLY,1/4".....	1
6	49119-7353	HOSE ASSY,1/4,STR FEM,STR FEM.....	1	6			
			2	23	49117-1941	HOSE ASSY,1/4,90 FEM,STR FEM.....	1
7	48911	ELBOW,90D,520220-4-6***.....	5	6			
8	49119-7103	HOSE ASSY,1/4,STR FEM,STR FEM.....	1	24	48914	CONN,520120-4-8.....	2
			2	25	48933	CONN,520120-8***.....	2
9	49135-4714	HOSE ASSEMBLY,3/8".....	1	26	49117-2441	HOSE ASSY,1/4,90 FEM,STR FEM.....	1
			3	6			
10	49119-7603	HOSE ASSY,1/4,STR FEM,STR FEM.....	1	27	49130-3907	HOSE ASSEMBLY,3/8".....	1
			3	7			
11	49119-14203	HOSE ASSY,1/4,STR FEM,STR FEM.....	1	28	48915	ELBOW,90D,520220-6.....	2
			3	29	49117-2316	HOSE ASSY,1/4,90 FEM,STR FEM.....	1
12	48916	FITTING,CONN,520120-6.....	3	7			
13	48935	TEE,RUN,520428-8.....	1	30	49117-4491	HOSE ASSY,1/4,90 FEM,STR FEM.....	2
14	49142-3187	HOSE ASSEMBLY,1/2".....	1	7			
			4				
15	49117-2291	HOSE ASSY,1/4,90 FEM,STR FEM.....	1				
			4				
--	49612	O-RING KIT (ORFS FITTINGS).....	1				
--	49613	PLUG AND CAP KIT-SERVICE,ORFS*.....	1				
16	49117-2591	HOSE ASSY,1/4,90 FEM,STR FEM**.....	1				
			4				

310.1 Hydraulic Hoses and Fittings - Extendable Axle System (continued)

Item	Part No.	Description	Qty.
------	----------	-------------	------

Footnotes

1: Hose End - Female, Swivel, ORFS (Parker No. 1JC43-4), Hose End - Female, Swivel, 90°, ORFS (Parker No. 1J943-4) and Hose, 1/4 inch (Parker No. 451TC-4)

2: Hose End - Female, Swivel, ORFS (Parker No. 1JC43-4), Hose End - Female, Swivel, ORFS (Parker No. 1JC43-4) and Hose, 1/4 inch (Parker No. 451TC-4)

3: Hose End - Female, Swivel, ORFS (Parker No. 1JC43-6), Hose End - Female, Swivel, ORFS (Parker No. 1JC43-8-6) and Hose, 3/8 inch (Parker No. 451TC-6)

4: Hose End - Female, Swivel, ORFS (Parker No. 1JC43-8), Hose End - Female, Swivel, 90°, ORFS (Parker No. 1J943-12-8) and Hose, 1/2 inch (Parker No. 451TC-8)

5: Hose End - Female, Swivel, ORFS (Parker No. 1JC43-8), Hose End - Female, Swivel, 90°, ORFS (Parker No. 1J943-8) and Hose, 1/2 inch (Parker No. 451TC-8)

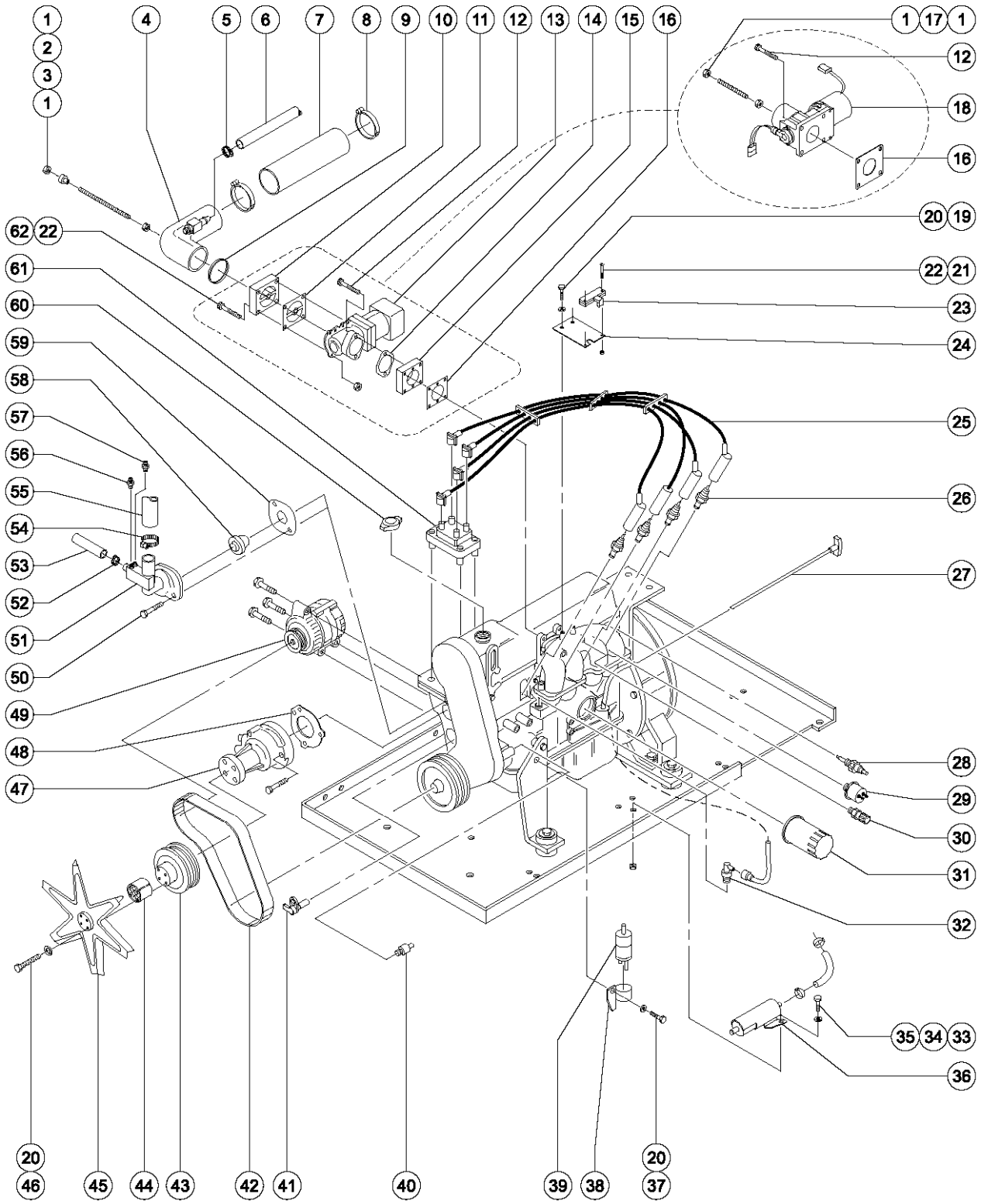
6: Hose End - Female, Swivel, ORFS (Parker No. 1JC43-4), Hose End - Female, Swivel, 90°, ORFS (Parker No. 1J943-6-4) and Hose, 1/4 inch (Parker No. 451TC-4)

7: Hose End - Female, Swivel, ORFS (Parker No. 1JC43-6), Hose End - Female, Swivel, ORFS (Parker No. 1JC43-6) and Hose, 3/8 inch (Parker No. 451TC-6)

310.1 Hydraulic Hoses and Fittings - Extendable Axle System
(continued)

This Page Intentionally Left Blank

401.1 Ford LRG-425 EFI Engine - View 1 (to SN 2971)



401.1 Ford LRG-425 EFI Engine - View 1 (to SN 2971)

Item	Part No.	Description	Qty.	Item	Part No.	Description	Qty.
--	49735	ENGINE,FORD LRG 425,EFIZ45 <i>(remanufactured long block only, does not include starter, alternator, radiator or fuel system)</i>		20	49408	WASHER,LOCK,M8.....	7
--	29606	RING GEAR,FORD*** <i>FITS LSG-LRG 423, AND LRG425</i>		21	49817	SCREW,PHILLIPS,PHM,10-32 X1.25.....	2
--	29616	STARTER,ENGINE,FORD LSG/LRG***		22	6178	NUT,NYLOCK,10-32.....	6
--	65770	BELT,TIMING,FORD LRG423/425EFI		23	49898	MAP SENSOR, EFI.....	1
1	6889	NUT,LP NYLOCK,1/4-20.....	2	24	53821P	BRACKET,MAP SENSOR,PAINTED.....	1
2	27010	VALVE,LOCK OFF,BEAM #FL-418.....	1	25	52570	SPARK PLUG WIRE SET, LRG425EFI.....	1
3	27507	THREADED ROD,1/4-20,4.5"..... <i>to SN 1704</i>	1	26	28647	SPARK PLUG,FORD.....	4
4	24552	VENTURI,BEAM (FORD) ***.....	1	--	52656	FUEL INJECTOR, LRG-425 EFI....	4
5	46131	CLAMP,HOSE,.63.....	2	27	52566	DIPSTICK, OIL LEVEL,LRG425 EFI.....	1
6	53832	HOSE,FIRE RES.,5/8 ID,BULK		28	34058	SENDING UNIT,TMP,FRD,GM,PRK704.....	1
7	53125	HOSE,AIR INTAKE 2.5 ID X 6.5.....	1	29	30810	SENDING UNIT,OIL PRESSURE***	1
8	45435	CLAMP,HOSE,2.50"***.....	2			<i>dual-terminal sender</i>	
9	65455	GASKET-VENTURI BEAM (FORD).....	1	30	52652	SENSOR,AIR TEMP,LRG-425 EFI***	1
10	48471	ADAPTER,LP VENTURI..... <i>to SN 1704</i>	1	31	28656	FILTER,OIL,FORD..... <i>Genie genuine part</i>	1
11	48477	GASKET,LP ADAPTER..... <i>to SN 1704</i>	1	--	1259054	FILTER, OIL, FORD <i>Genie aftermarket</i>	
12	49386	SCREW,HHC,M8 X 40..... <i>to SN 1704</i>	2	32	33957	VALVE,PCV-FORD LRG***	1
13	94922	KIT,FORD EFI UPDATE,BASE***	1	33	8915	SCREW,HHC,1/4-20 X 1.25.....	3
14	52577	GASKET - THROTTLE BODY, 425EFI..... <i>to SN 1704</i>	1	34	6638	WASHER,FLAT,USS,1/4"Y.....	3
15	88455	ADAPTER,THROTTLE ACTUATOR***	1	35	6091	NUT,NYLOCK,1/4-20.....	3
16	52579	GASKET,ADAPTER PLATE,425EFI***	1	36A	81941	FUEL PUMP RELOCATION KIT....	1
17	27507	THREADED ROD,1/4-20,4.5"..... <i>from SN 1705</i>	1	37	25929	SCREW,HHC,M8 X 30MM,GRD 8.8.....	1
18A	63258	ACTUATOR, FORD EFI PRECISION..... <i>from SN 1705</i>	1	38	65453	BRACKET-FUEL FILTER (52567)....	1
18B	88451	THROTTLE ACTUATOR*(BOSCH) <i>models with EFI update kit ONLY</i>		39	58967	FUEL PRESSURE REG,425EFI***	1
19	23057	SCREW,HHC,M8 X 20MM.....	2	40	58900	SENSOR,CAM,EFI***	1
				41	33968	SENSOR, CRANK POSITION.....	1
				42	52580	BELT,SERPENTINE,LRG425 EFI***	1
				43	52078	PULLEY,FORD ENGINE,LRG-423***	1
				44	52077	SPACER,FAN TO WATERPUMP LRG423.....	1
				45	52076	FAN, LSG423/LRG425.....	1
				46	32309	SCREW,HHC,M8 X 60MM X 1.25....	4

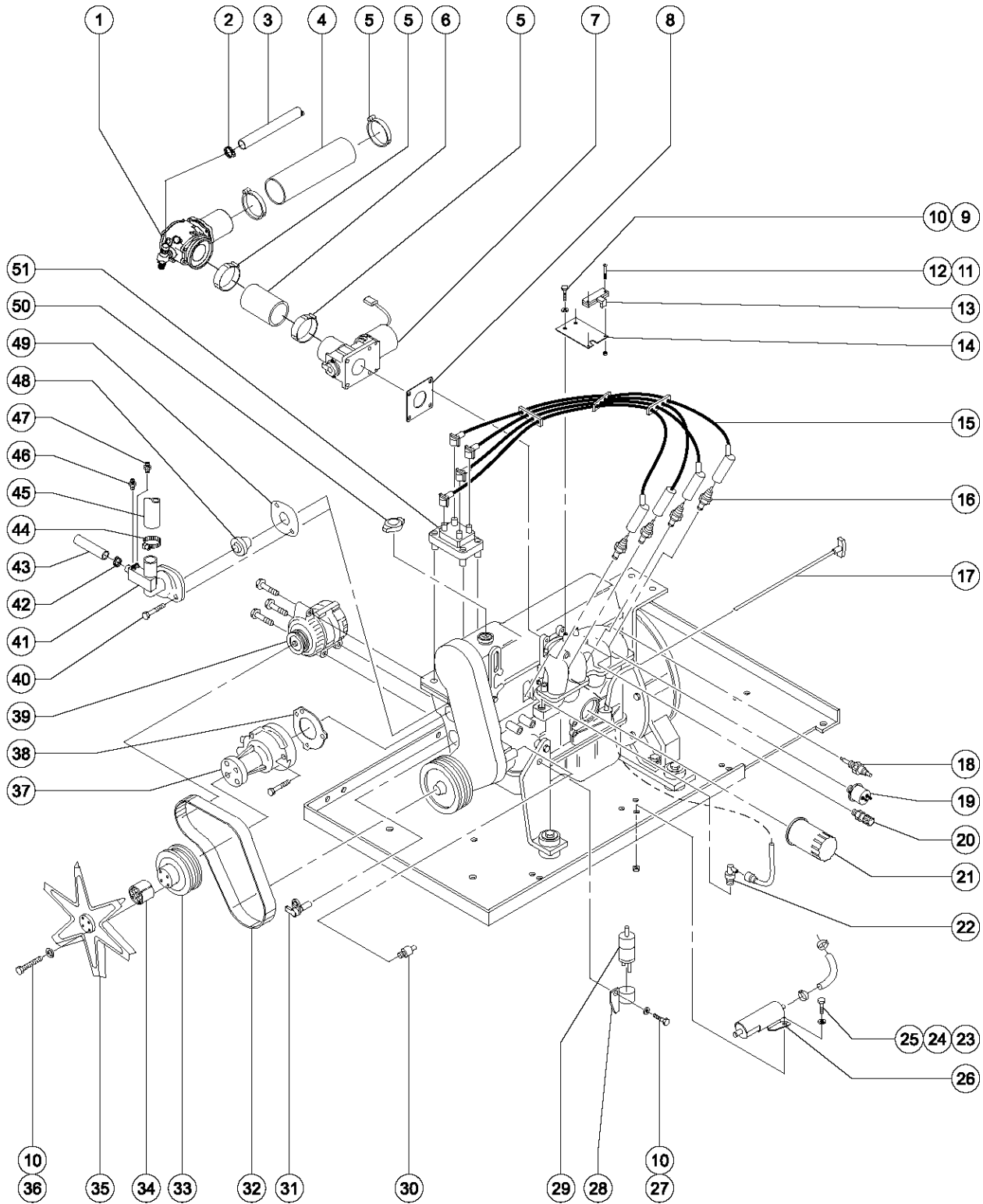
401.1 Ford LRG-425 EFI Engine - View 1 (to SN 2971)
(continued)

Item	Part No.	Description	Qty.
47	33963	PUMP, WATER, WITH GASKET.....	1
48	33964	GASKET, WATER PUMP.....	1
49	33960	ALTERNATOR,LRG-423 RE-BUILT*.....	1
50	65454	BOLT-FLANGE,M6 X 22MM(52573).....	2
51	52573	THERMOSTAT HOUSING, LRG425 EFI.....	1
52	36208	CLAMP,HOSE,1.25***.....	1
53	52762	HOSE,WATER INLET,LRG425 EFI.....	1
54	22672	CLAMP,HOSE,1.75.....	1
55	33965	HOSE, UPPER RADIATOR.....	1
56	33972	SENSOR,COOLANT TEMP*.....	1
57	65456	SENDING UNIT-H20TMP LRG425EFI*.....	1
58	33966	THERMOSTAT, FORD LRG.....	1
59	52575	GASKET,THERM.HSNG O-RING....	1
60	49881	OIL FILLER CAP FOR LRG ENGINE.....	1
61	33970	COIL, ELECTRONIC IGN., FORD...1	1
62	30469	SCREW,FHM,10-32 X 1.5.....	4

401.1 Ford LRG-425 EFI Engine - View 1 (to SN 2971)
(continued)

This Page Intentionally Left Blank

401.2 Ford LRG-425 EFI Engine - View 1 (from SN 2972)



401.2 Ford LRG-425 EFI Engine - View 1 (from SN 2972)

Item	Part No.	Description	Qty.	Item	Part No.	Description	Qty.
--	65770	BELT,TIMING,FORD LRG423/425EFI		20	52652	SENSOR,AIR TEMP,LRG-425 EFI***	1
--	81627	KIT,NOLFF LPG <i>for units without E-controls; consult factory prior to ordering</i>		21	28656	FILTER,OIL,FORD..... <i>Genie genuine part</i>	1
1	81629	AIR VALVE MIXER*** <i>for units without E-controls; consult factory prior to ordering</i>	1	--	1259054	FILTER, OIL, FORD <i>Genie aftermarket</i>	
--	58598	AIR VALVE MIXER <i>for units upgraded to E-controls; consult factory prior to ordering</i>		22	33957	VALVE,PCV-FORD LRG***	1
--	58599	DIAPHRAGM,AIR VALVE MIXER <i>for units upgraded to E-controls; consult factory prior to ordering</i>		23	8915	SCREW,HHC,1/4-20 X 1.25	3
2	46131	CLAMP,HOSE,.63	2	24	6638	WASHER,FLAT,USS,1/4"Y	3
3	81631	HOSE,VAPOR,LP SPECIFIC		25	6091	NUT,NYLOCK,1/4-20	3
4	30966-0575	HOSE,AIR INTAKE,2.25"IDX5.75"	1	26A	81941	FUEL PUMP RELOCATION KIT	1
5	30971	CLAMP,HOSE,3.00"	4	26B	77219	PUMP, FUEL, LRG425, WALBRO	1
6	27211-0250	HOSE,AIR INTAKE,2.625"IDX2.50"	1	27	25929	SCREW,HHC,M8 X 30MM,GRD 8.8	1
7A	63258	ACTUATOR, FORD EFI PRECISION	1	28	65453	BRACKET-FUEL FILTER (52567)	1
7B	88451	THROTTLE ACTUATOR*(BOSCH) <i>models with EFI update kit ONLY</i>		29	58967	FUEL PRESSURE REG,425EFI***	1
8	52579	GASKET,ADAPTER PLATE,425EFI***	1	30	58900	SENSOR,CAM,EFI***	1
9	23057	SCREW,HHC,M8 X 20MM	2	31	33968	SENSOR, CRANK POSITION	1
10	49408	WASHER,LOCK,M8	7	32	52580	BELT,SERPENTINE,LRG425 EFI***	1
11	49817	SCREW,PHILLIPS,PHM,10-32 X1.25	2	33	52078	PULLEY,FORD ENGINE,LRG-423***	1
12	6178	NUT,NYLOCK,10-32	6	34	52077	SPACER,FAN TO WATERPUMP LRG423	1
13	49898	MAP SENSOR, EFI	1	35	52076	FAN, LSG423/LRG425	1
14	53821P	BRACKET,MAP SENSOR,PAINTED	1	36	32309	SCREW,HHC,M8 X 60MM X 1.25	4
15	52570	SPARK PLUG WIRE SET, LRG425EFI	1	37	33963	PUMP, WATER, WITH GASKET	1
16	28647	SPARK PLUG,FORD	4	38	33964	GASKET, WATER PUMP	1
--	52656	FUEL INJECTOR, LRG-425 EFI	4	39	33960	ALTERNATOR,LRG-423 RE-BUILT*	1
17	52566	DIPSTICK, OIL LEVEL,LRG425 EFI	1	40	65454	BOLT-FLANGE,M6 X 22MM(52573)	2
18	34058	SENDING UNIT,TMP,FRD,GM,PRK704	1	41	52573	THERMOSTAT HOUSING, LRG425 EFI	1
19	30810	SENDING UNIT,OIL PRESSURE*** <i>dual-terminal sender</i>	1	42	36208	CLAMP,HOSE,1.25***	1
				43	52762	HOSE,WATER INLET,LRG425 EFI	1
				44	22672	CLAMP,HOSE,1.75	1
				45	33965	HOSE, UPPER RADIATOR	1
				46	65456	SENDING UNIT-H20TMP LRG425EFI*	1

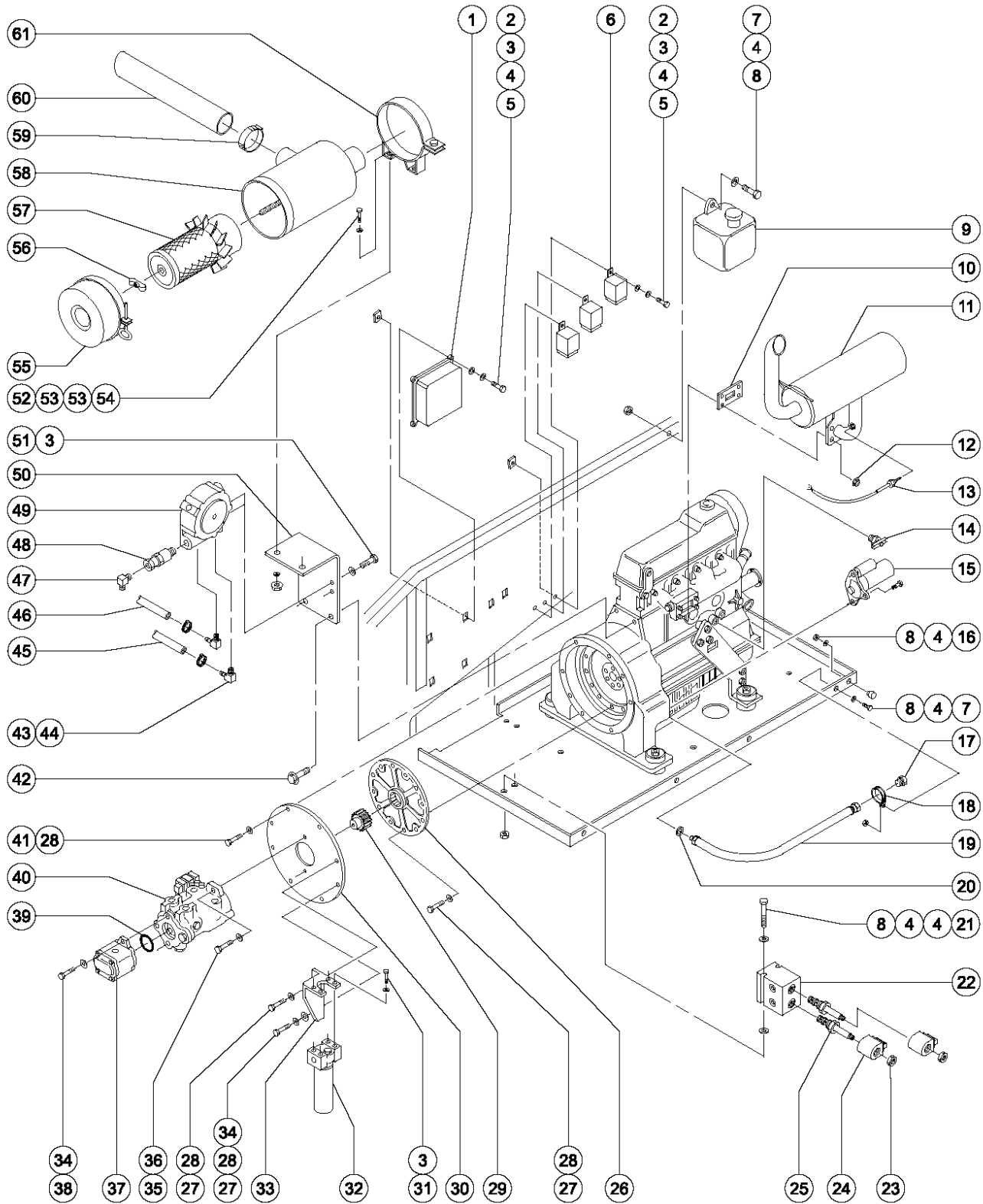
401.2 Ford LRG-425 EFI Engine - View 1 (from SN 2972)
 (continued)

Item	Part No.	Description	Qty.
47	65456	SENDING UNIT-H20TMP LRG425EFI*.....	1
48	33966	THERMOSTAT, FORD LRG.....	1
49	52575	GASKET,THERM.HSNG O-RING....	1
50	49881	OIL FILLER CAP FOR LRG ENGINE.....	1
51	33970	COIL, ELECTRONIC IGN., FORD...	1

401.2 Ford LRG-425 EFI Engine - View 1 (from SN 2972)
(continued)

This Page Intentionally Left Blank

402.1 Ford LRG-425 EFI Engine - View 2



402.1 Ford LRG-425 EFI Engine - View 2

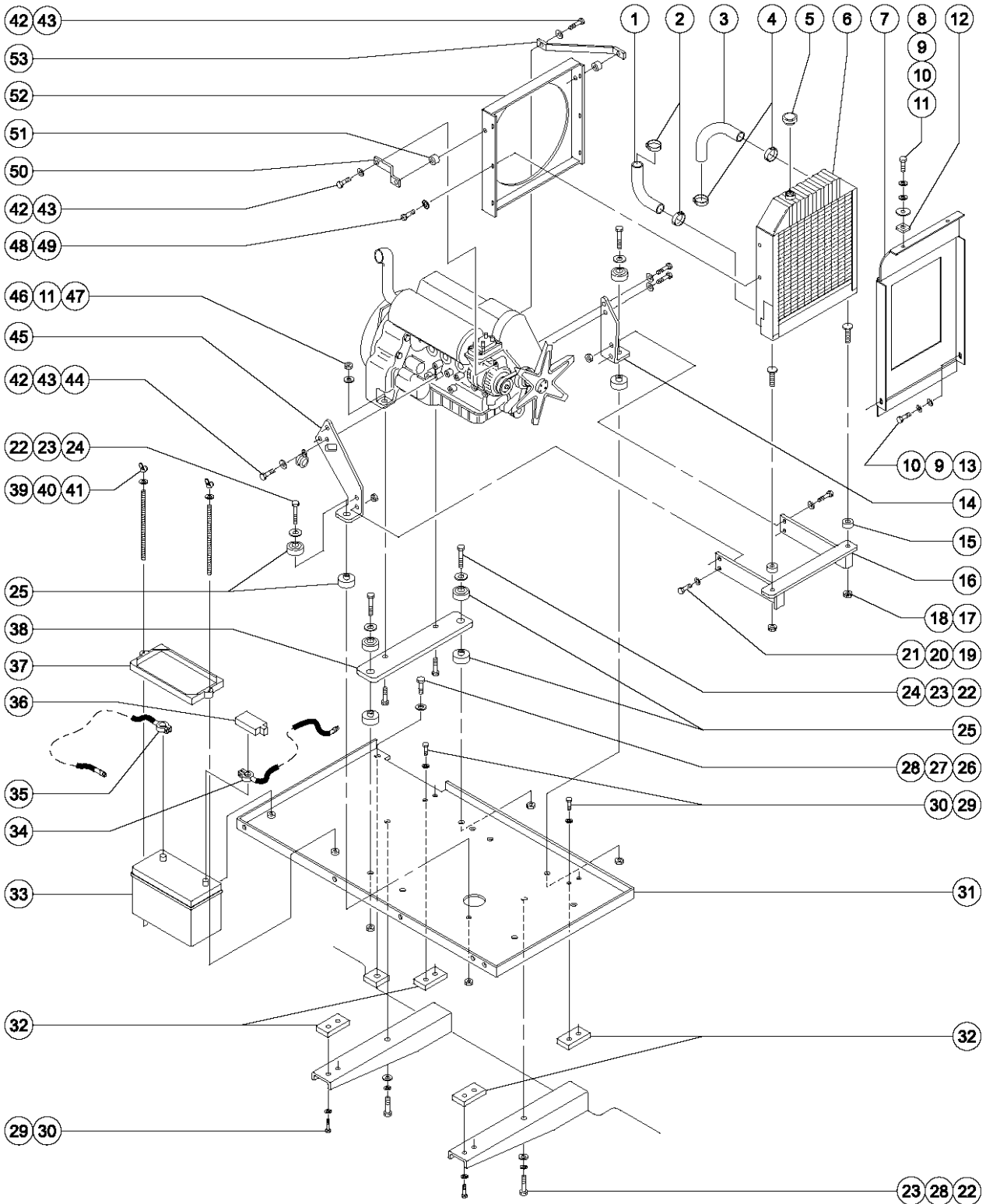
Item	Part No.	Description	Qty.	Item	Part No.	Description	Qty.
1	94922	KIT,FORD EFI UPDATE,BASE***.....1 <i>from SN 1705</i>	1	25	65766	VALVE,SOLENOID,10V W/DIODE***.....2 <i>includes index numbers 23 and 24; from SN 2745</i>	2
--	94922	KIT,FORD EFI UPDATE,BASE***.....1 <i>to SN 1704</i>	1	--	65766	VALVE,SOLENOID,10V W/DIODE***.....2 <i>includes index numbers 23 and 24; to SN 2744</i>	2
2	6888	SCREW,HHC,1/4-20 X 1.....7	7	26	33024	FLYWHEEL FLANGE,GREEN PLASTIC.....1	1
3	6356	WASHER,LOCK,.25.....13	13	27	6019	SCREW,HHC,3/8-16 X 1.25 GRD 5.....10	10
4	6638	WASHER,FLAT,USS,1/4"Y.....14	14	28	6021	WASHER,LOCK,.375.....20	20
5	56912	SPRING CLIP,1/4-20,.025-.15X.5.....7	7	29	37002	COUPLER,HUB,15 TOOTH 7/16BOLT*.....1	1
6	52592	RELAY - LRG425 EFI.....3	3	30	25571P-S	PLATE,PUMP MOUNT,FORD,PAINTED.....1	1
7	8915	SCREW,HHC,1/4-20 X 1.25.....2	2	31	7339	SCREW,HHC,1/4-20 X .5.....4	4
8	6091	NUT,NYLOCK,1/4-20.....5	5	32	77139	FILTER ASY,M PRESS,SAE8,WOIND*.....1	1
9	54071	COOLANT RETURN SYSTEM,Z45***.....1 <i>includes cap</i>	1	--	20880	FILTER ELEMENT-10 MIC.***.....1 <i>component of filter assy p/n 20879 (no longer sold)</i>	1
10	27142	GASKET,EXHAUST.....1	1	--	60857	FILTER,ELEMENT,BETA(5)=1000 <i>component of filter assy p/n 77139</i>	1
11	77885	MUFFLER,FORD LRG S40-60-80***.....1	1	33	30230P-S	FILTER MOUNT BRACKET.....1	1
12	35818	NUT,EXHAUST MANIFOLD-FORD,LRG.....4	4	34	6097	WASHER,FLAT,USS,3/8",Y.....3	3
13	52564	SENSOR,O2,LRG 425 EFI***.....1	1	35	22788	SCREW,HHC,1/2-13 X 1.75.....2	2
14	28717	VALVE,DRAIN,FORD,BLOCK,RAD.1	1	36	6033	WASHER,LOCK,0.5".....2	2
15	29606	RING GEAR,FORD*** <i>FITS LSG-LRG 423, AND LRG425</i>	1	37	53959	PUMP,LIFT 1.403 C.I.***.....1	1
15	29616	STARTER,ENGINE,FORD LSG/LRG***.....1	1	--	58228	SEAL KIT***.....1	1
16	34619	BUMPER,RUBBER***.....1	1	38	33988	SCREW,SHC,3/8-16 X 1.....2	2
17	63426	PLUG,070109-8.....1	1	39	29436	O-RING***.....1	1
18	21618	CLAMP,1.13,#18 X 1/4,RUB CUSH.....1	1	40	37027	PUMP,VAR PISTON,2.8 C.I.***.....1	1
19	63427	HOSE ASSY,FORD OIL DRAIN 1/2"	1	--	22965	EDC ASSY,SAUER,M46***.....1	1
20	53910	GASKET, FORD OIL DRAIN.....1	1	--	27067	SEAL,SHAFT-SUNDSTRAND***.....1	1
21	4266	SCREW,HHC,1/4-20 X 2.....2	2	--	29739	SEAL KIT,SAUER-DANFOSS M46***.....1	1
22	81024	MANIFOLD,BRAKE/2 SPD.....1 <i>includes index numbers 23 through 25; from SN 2745</i>	1	--	32611	SHAFT,M46 15 TOOTH.....1	1
--	42157	MANIFOLD,BRAKE/MOTOR SHIFT.....1 <i>includes index numbers 23 through 25; to SN 2744</i>	1	--	46674	PUMP,VAR.PISTON M46 2.8 CIQVP*.....1	1
23	45912	NUT,SOLENOID,2POS 3WAY.....2	2	--	65843	SEAL,LINK KIT***.....1	1
24	81043	COIL,SOLENOID,8 DSD 10V,W/DIO.....2 <i>from SN 2745</i>	2	--	72290	SNAP RING(M46 UNITS)*.....1	1
--	43601	COIL,SOLENOID,10V W/ DIODE.....2 <i>to SN 2744</i>	2	41	6175	SCREW,HHC,3/8-16 X 1.....8	8

402.1 Ford LRG-425 EFI Engine - View 2
(continued)

Item	Part No.	Description	Qty.	Item	Part No.	Description	Qty.
42	53024	SCR,M 10X40 LG HEX FLG. SERR.....	2	59	30971	CLAMP,HOSE,3.00".....	1
43	37017	HOSE END,90DEG,.63 HS X.25 MPT.....	2	60	53124	HOSE,AIR INT.2.5 IDX12" W/450....	1
44	46131	CLAMP,HOSE,.63.....	2	61	53952	BRKT,AIR CLEANER ORIENTATION**	1
45	52762	HOSE,WATER INLET,LRG425 EFI.....	1				
46	53832	HOSE,FIRE RES.,5/8 ID,BULK					
47	36203	ELBOW,90DEG.3/8MPT-5/8 BARB.....	1				
48	27010	VALVE,LOCK OFF,BEAM #FL-418.....	1				
49	22279	REGULATOR,LPG BEAM 60***	1				
--	24470	REGULATOR DIAPH.KIT BEAM 50/60.....	1				
--	75471	REGULATOR DIAPH.KIT NOLFF,MDLJ.....	1				
--	81630	REGULATOR,LP,MODEL J NOLFF.....	1				
49A	102119	HOSE,3/4,LP.....	as needed				
		<i>from regulator to mixer</i>					
50	48473P-S	BRACKET,AIR FILTER,FORD GAS PT.....	1				
51	6090	SCREW,HHC,1/4-20 X .75.....	2				
--	6888	SCREW,HHC,1/4-20 X 1.....	2				
		<i>to SN 2947</i>					
52	13002	SCREW,HHC,5/16-18 X 1 GR5.....	2				
--	48498	ISOLATOR,AIR FILTER MOUNT....	2				
		<i>to SN 2947</i>					
53	5397	WASHER,FLAT,USS,5/16",Y.....	4				
54	6782	NUT,NYLOCK,5/16-18.....	2				
--	18503	NUT,LOCKING-LG.FLANGE,5/16-18.4 to SN 2947					
55	58917	END CAP,AIR FILTER-27915&49740.....	1				
56	52658	NUT - WING, AIR FILTER, 425EFI.....	1				
57	27916	FILTER,AIR,ELEMENT***	1				
58	49740	AIR CLEANER,FORD EFI***	1				

This Page Intentionally Left Blank

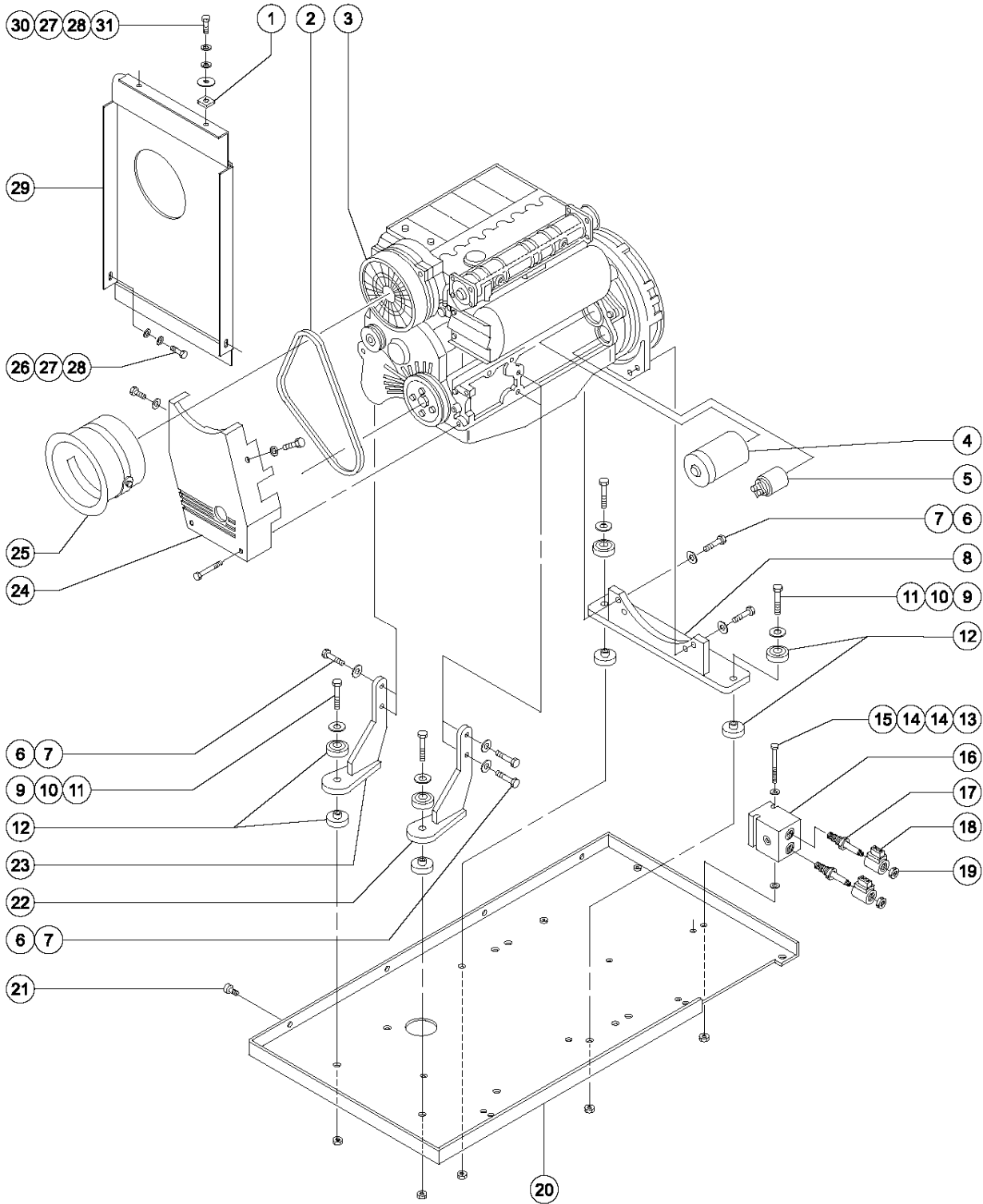
403.1 Ford LRG-425 EFI Engine - View 3



403.1 Ford LRG-425 EFI Engine - View 3

Item	Part No.	Description	Qty.	Item	Part No.	Description	Qty.
1	77170	HOSE,LOWER RADIATOR,Z45.....1		33	30143	BATTERY,12V,1000 CCA GRP	
2	13014	CLAMP,HOSE,2.25" DIA.....2		31		31.....1	1
3	33965	HOSE, UPPER RADIATOR.....1		34	30891	BATT.CABLE,00,POS.,RED,50".....1	1
4	45171	CLAMP,HOSE,1.75,LINED.....2		35	122058	BATTERY CABLE,1/0 GA,BLK	
5	27943	CAP,RADIATOR,FORD***.....1		30"		30".....1	1
6	33969	RADIATOR,FORD,LRG.....1		36	18189	BOOT,BATTERY	
--	28717	VALVE,DRAIN,FORD,BLOCK,RAD..1		TERMINAL,RED.....1		TERMINAL,RED.....1	1
7	49610P	BAFFLE,AIR,FORD,PAINTED		37	30144	BATTERY HOLD DOWN,GROUP	
		GRAY.....1		31		31.....1	1
8	6708	SCREW,HHC,3/8-16 X 2.25.....2		38	28234P-S	PLATE,ENGINE	
9	6021	WASHER,LOCK,.375.....4		MOUNT,PAINTED.....1		MOUNT,PAINTED.....1	1
10	5397	WASHER,FLAT,USS,5/16",Y.....4		39	8170	NUT,WING,1/4-20.....2	2
11	6095	WASHER,FLAT,USS,1/2",Y.....4		40	6638	WASHER,FLAT,USS,1/4"Y.....2	2
12	29868	SPRING CLIP,3/8-16.....2		41	30784-975	THREADED ROD,(1/4-20),9.75.....2	2
13	6175	SCREW,HHC,3/8-16 X 1.....2		42	27034	SCREW,HHC,M10 X 25MM,GR	
14	53425-S	WELDMENT,RH,ENGINE		8.8.....7		8.8.....7	7
		MOUNT.....1		43	22700	WASHER,LOCK,M10.....7	7
15	24038	SHOCK MOUNT,SMALL.....2		44	32339	CLAMP,1.75,#28 X 3/8,RUB	
16	34929-S	WELDMENT,RADIATOR MOUNT		CUSH*.....2		CUSH*.....2	2
		LRG423.....1		45	53290-S	WELDMENT,RH,ENGINE	
17	48425	NUT,LOCKING-LRG.FLANGE,3/8-16.2		MOUNT.....1		MOUNT.....1	1
18	60790	BOLT,CARRIAGE,3/8-16		46	6198	NUT,NYLOCK,1/2-13.....2	2
		X1.50,G5.....2		47	10598	SCREW,HHC,1/2-13 X 3.....2	2
19	8516	SCREW,HHC,3/8-16 X 1.50,GR5....4		48	73612	SCREW,PHM,10-24X.50,SELF	
20	6097	WASHER,FLAT,USS,3/8",Y.....4		TAP.....6		TAP.....6	6
21	4828	NUT,NYLOCK,3/8-16.....4		49	73613	WASHER,STAR,#10,PLTD.....6	6
22	53909	SCREW,HHC,5/8-11 X 4.0 GR8.....4		50	34942P-S	STRUT,RH,FORD	
--	21175	SCREW,SHC,5/8-11 X 4,A574.....4		RADIATOR,PAINT.....1		RADIATOR,PAINT.....1	1
		to SN 2512		51	48498	ISOLATOR,AIR FILTER MOUNT....2	2
23	33418	WASHER,FLAT,.625 X 2.25 X.15....4		52	34927P-S	SHROUD,RADIATOR LRG 423	
24	6024	NUT,NYLOCK,5/8-11.....4		BLUE**.....1		BLUE**.....1	1
25	28076	ISOLATOR,VIBRATION,LG,RD&WH***.4		53	34943P-S	MOUNT,RAD.SUPPT,LH,BLUE.....1	1
26	29883	SCREW,HHC,5/8-11 X 1.75					
		GRD.8.....3					
27	13064	WASHER,FLAT,.625 HARDENED....3					
28	6036	WASHER,LOCK,.625 PLTD.....3					
29	6090	SCREW,HHC,1/4-20 X .75.....8					
30	6356	WASHER,LOCK,.25.....8					
31	30679-S	WELDMENT, ENGINE MODULE					
		PLATE.....1					
32	45209	WEAR PAD,4X2X.5 W/INSERT***....4					

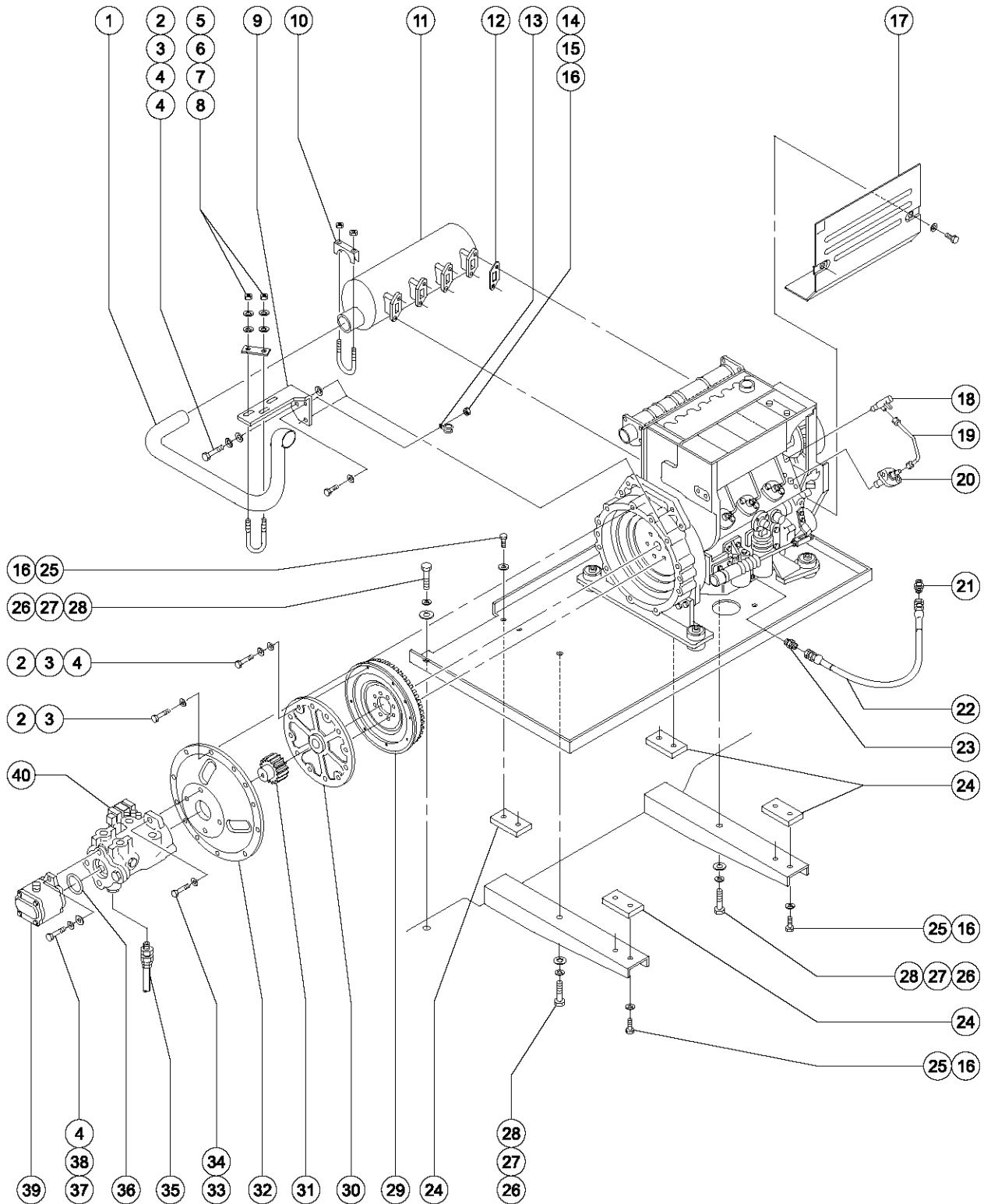
404.1 Deutz F4L 1011F Engine - View 1



404.1 Deutz F4L 1011F Engine - View 1

Item	Part No.	Description	Qty.	Item	Part No.	Description	Qty.
1	29868	SPRING CLIP,3/8-16.....	2	27	6021	WASHER,LOCK,..375.....	4
2	32698	BELT,V, DEUTZ DIESEL ENGINE....	1	28	5397	WASHER,FLAT,USS,5/16",Y.....	4
3	35586	ALTERNATOR, DEUTZ F3L10/F4L10*.....	1	29	49609P	BAFFLE,AIR,DEUTZ,PAINTED.....	1
4	139709	STARTER, 12V 9 tooth; inspect old starter before ordering (includes item 5)		30	6708	SCREW,HHC,3/8-16 X 2.25.....	2
4	37950	STARTER,DEUTZ,F4L1011F/F3L1011.1 11 tooth; inspect old starter before ordering (includes item 5)		31	6095	WASHER,FLAT,USS,1/2",Y.....	2
5	49915	SOLENOID-STARTR DEUTZF4L1011F*.....	1				
6	34265	SCREW,HHC,M14 X 55.....	8				
7	37505	WASHER,LOCK,M14.....	8				
8	29550	WELDMENT,DEUTZ ENGINE MOUNT.....	1				
9	53909	SCREW,HHC,5/8-11 X 4.0 GR8..... from SN 2513	4				
--	21175	SCREW,SHC,5/8-11 X 4,A574 to SN 2512					
10	33418	WASHER,FLAT,.625 X 2.25 X.15....	4				
11	6024	NUT,NYLOCK,5/8-11.....	4				
12	28076	ISOLATOR,VIBRATION,LG,RD&WH***.	4				
13	6115	SCREW,HHC,1/4-20 X 3.5.....	2				
14	6638	WASHER,FLAT,USS,1/4"Y.....	4				
15	6889	NUT,LP NYLOCK,1/4-20.....	2				
16	42157	MANIFOLD,BRAKE/MOTOR SHIFT..... includes index numbers 17 through 19	1				
17	65766	VALVE,SOLENOID,10V W/DIODE***..... includes index numbers 18 and 19	2				
18	43601	COIL,SOLENOID,10V W/ DIODE....	2				
19	45912	NUT,SOLENOID,2POS 3WAY.....	2				
20	30679-S	WELDMENT, ENGINE MODULE PLATE.....	1				
21	34619	BUMPER,RUBBER***.....	1				
22	32748	WELMENT,DEUTZ ENGINE MOUNT.....	1				
23	32749	WELDMENT,DEUTZ ENGINE MOUNT.....	1				
24	29555	COVER,FRONT DEUTZ ENGINE....	1				
25	35498	GUIDE RING W/RUBBER LIP.....	1				
26	6175	SCREW,HHC,3/8-16 X 1.....	2				

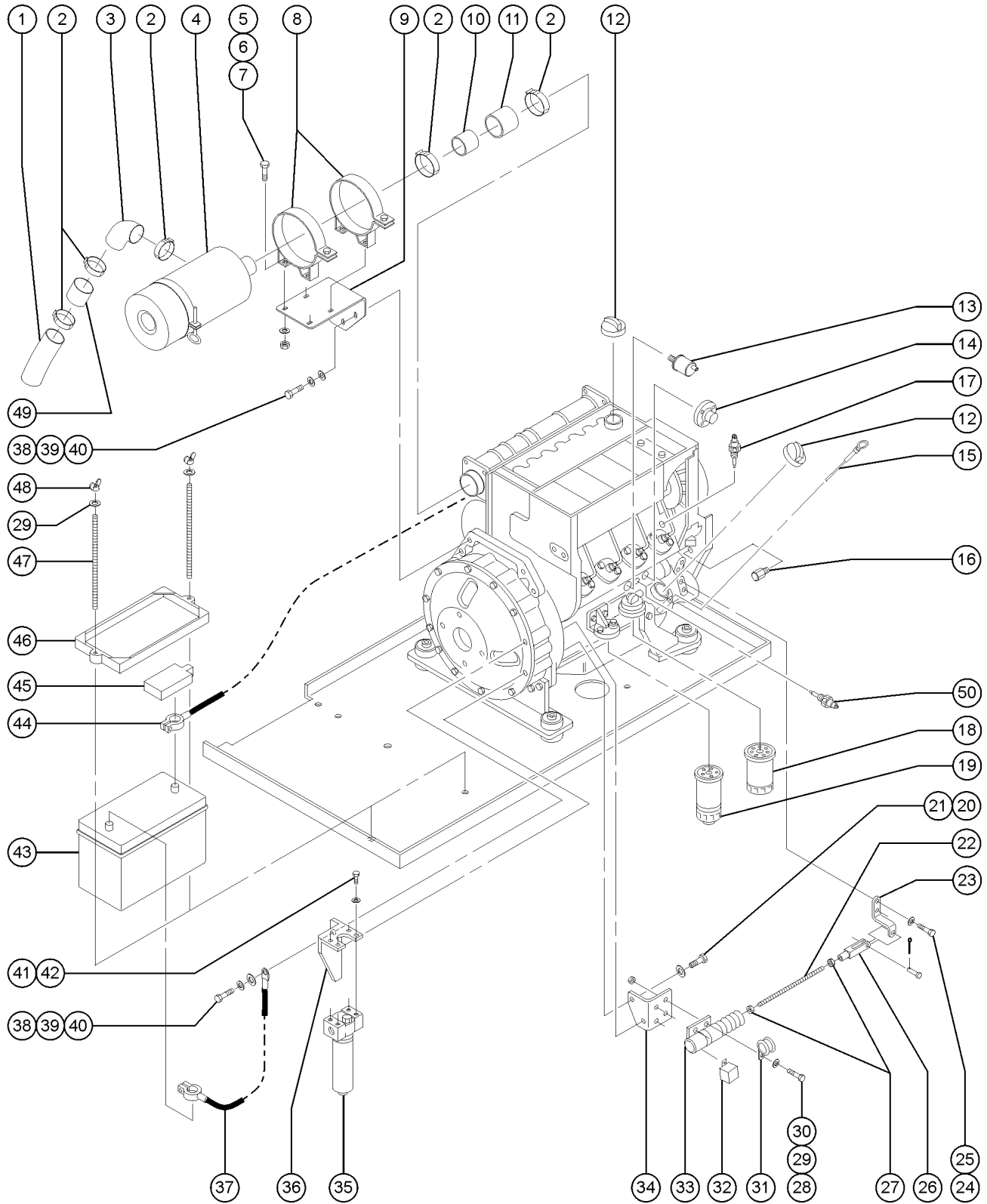
405.1 Deutz F4L 1011F Engine - View 2



405.1 Deutz F4L 1011F Engine - View 2

Item	Part No.	Description	Qty.	Item	Part No.	Description	Qty.
1	34551	EXHAUST, TAILPIPE, DEUTZ.....	1	--	33729	RING GEAR, DEUTZ F3 & F4L1011.....	1 <i>(please verify ring gear thickness) 0.365 inches</i>
2	44064	SCREW, HHC, M10 X 30MM,.....	26	--	89785	RING GEAR, DEUTZ F3L2011F.....	1 <i>(please verify ring gear thickness) 0.6 inches</i>
3	22700	WASHER, LOCK, M10.....	26	30	33024	FLYWHEEL FLANGE, GREEN PLASTIC.....	1
4	6097	WASHER, FLAT, USS, 3/8", Y.....	16	31	37003	COUPLER, HUB, 15 TOOTH 7/16 BOLT*.....	1
5	6037	NUT, HEX, 5/16-18, GR5.....	2	32	30806	FLYWHEEL COVER, CASTING***.....	1
6	6886	WASHER, LOCK, .313.....	2	33	6096	SCREW, HHC, 1/2-13 X 2 GR5.....	2
7	5397	WASHER, FLAT, USS, 5/16", Y.....	2	34	6033	WASHER, LOCK, 0.5".....	2
8	16584	U-BOLT, KIT 5/16-18 X 2.5.....	1 <i>includes index number 5</i>	35		Ref. Hydraulic Hoses and Fittings (refer to Figures 513.1 or 513.2).....	2
9	30674-S	WELDMENT, EXHAUST SUPPORT.....	1	36	29436	O-RING***.....	1
10	30438	CLAMP, MUFFLER, 2 1/4" ID.....	1 <i>includes mounting fasteners</i>	37	6175	SCREW, HHC, 3/8-16 X 1.....	2
11	29558	MUFFLER**.....	1	38	6021	WASHER, LOCK, .375.....	2
--	53867	SCRUBBER MUFFLER, DEUTZ, F4L1011.....	1	39	53959	PUMP, LIFT 1.403 C.I.***.....	1
12	29559	GASKET, EXHAUST.....	4	--	58228	SEAL KIT***.....	1
13	21618	CLAMP, 1.13, #18 X 1/4, RUB CUSH.....	1	40	37027	PUMP, VAR PISTON, 2.8 C.I.***.....	1
14	6091	NUT, NYLOCK, 1/4-20.....	1	--	22965	EDC ASSY, SAUER, M46***.....	1
15	6638	WASHER, FLAT, USS, 1/4" Y.....	1	--	27067	SEAL, SHAFT-SUNDSTRAND***.....	1
16	6090	SCREW, HHC, 1/4-20 X .75.....	9	--	29739	SEAL KIT, SAUER-DANFOSS M46**.....	1
17	49916	COVER - DEUTZ F4L1011F.....	1	--	32611	SHAFT, M46 15 TOOTH.....	1
18	49919	INJECTOR - DEUTZ F4L1011F.....	4	--	46674	PUMP, VAR. PISTON M46 2.8 CIQVP*.....	1
19	49921	FUEL LINE INJ. DEUTZ F4L1011F.....	4	--	65843	SEAL, LINK KIT***.....	1
20	49929	INJECTOR PUMP - DEUTZ F4L1011F.....	4	--	72290	SNAP RING (M46 UNITS)*.....	1
21	109802	PLUG, STEEL SOCKET, SAE090109B-6.....	1	Footnotes			
22	49135-3389-S	HOSE ASSY 3/8".....	1	1: Hose End - Female, Swivel, ORFS (Parker No. 1JC43-6), Hose End - Female, Swivel, ORFS (Parker No. 1JC43-8-6) and Hose, 3/8 inch (Parker No. 451TC-6)			
23	49209	FITTING, M18X8, F87OMX.....	1				
24	45209	WEAR PAD, 4X2X.5 W/INSERT***.....	4				
25	6356	WASHER, LOCK, .25.....	8				
26	29883	SCREW, HHC, 5/8-11 X 1.75 GRD.8.....	3				
27	6036	WASHER, LOCK, .625 PLTD.....	3				
28	13064	WASHER, FLAT, .625 HARDENED....	3				
29	49917	RING GEAR, DEUTZ F3 & F4L1011F.....	1 <i>(please verify ring gear thickness) 0.46 inches</i>				

406.1 Deutz F4L 1011F Engine - View 3



406.1 Deutz F4L 1011F Engine - View 3

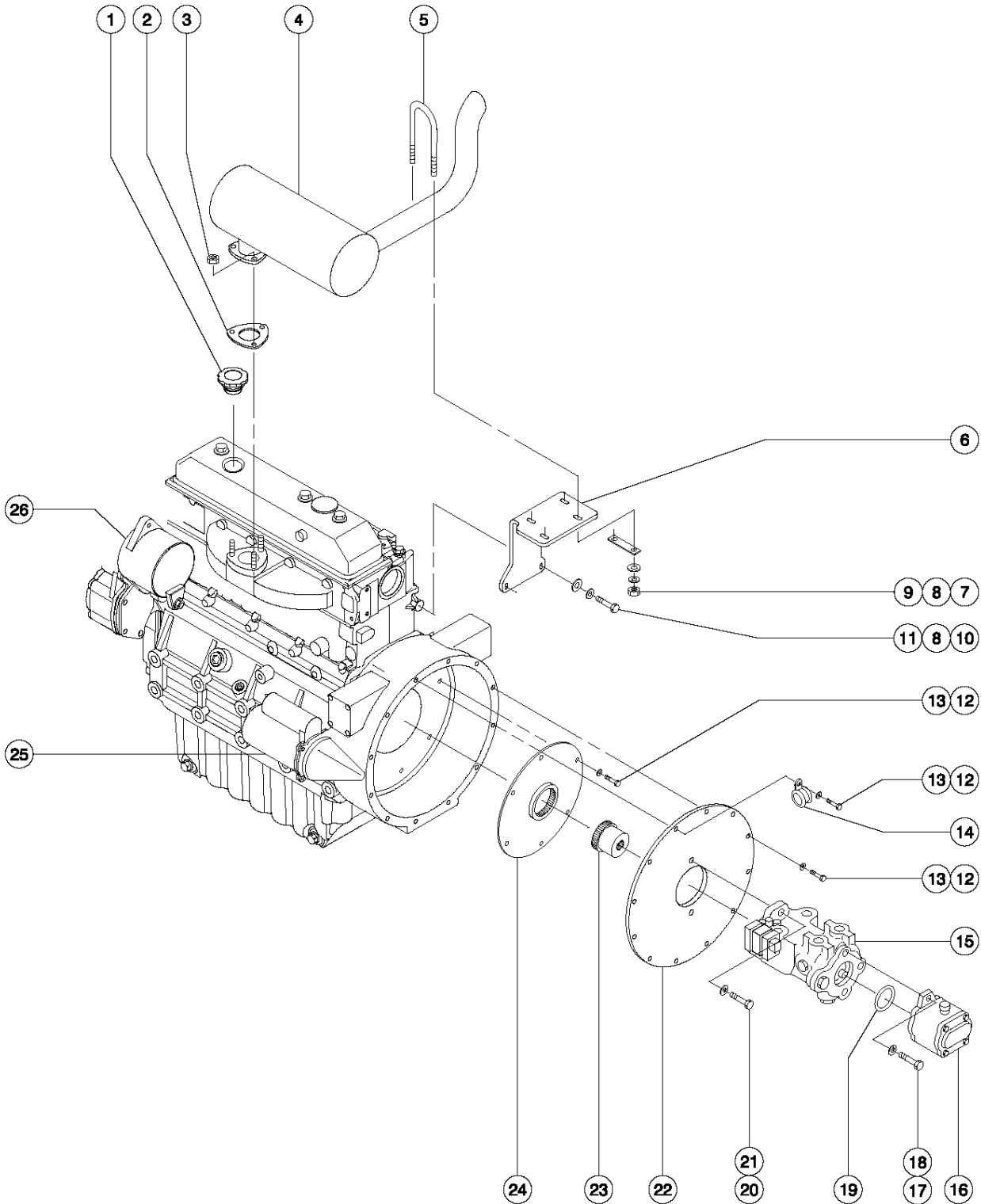
Item	Part No.	Description	Qty.	Item	Part No.	Description	Qty.
1	34162-3150	HOSE,AIR INTAKE 2.5" I.D.....	1	--	72255	CONNECTOR, DEUTZ FUEL SHUTOFF*.....	1
2	53945	CLAMP,HOSE 2 5/16-3 1/4.....	5	17	34059	SENDING UNIT,OIL TEMP.....	1
3	34164	ELBOW,90 DEGR,RUBBER,2.5" I.D.*.....	1	18	49924	FILTER,OIL,DEUTZ F4L1011F..... <i>Genie Genuine Part. See PN 1255653 for compatible aftermarket replacement.</i>	1
4	27915	AIR CLEANER..... <i>to 2776, does NOT include mounting bands</i>	1	--	1255653	FILTER,OIL,DEUTZ,REPLACEMENT.1 <i>Genie Aftermarket Part. Compatible with Genie Genuine Part 49924.</i>	1
--	27916	FILTER,AIR,ELEMENT***..... <i>to 2776</i>	1	19	29560	FILTER,FUEL/WTR SEP, DTZ 1008..... <i>Genie Genuine Part. See PN 1254826 for compatible aftermarket replacement.</i>	1
--	52658	NUT - WING, AIR FILTER, 425EFI.....	1	--	1254826	FUEL FILTER W/SEP,DEUTZ,1008..... <i>Genie Aftermarket Part. Filter for Deutz F3L 1011F Engine.</i>	1
--	58917	END CAP,AIR FILTER-27915&49740.....	1	20	23057	SCREW,HHC,M8 X 20MM.....	2
--	62420	FILTER,AIR*** <i>from SN 2777</i>	1	21	49408	WASHER,LOCK,M8.....	2
--	63463	AIR CLEANER,NELSON***..... <i>from SN 2777</i>	1	22	30785-1000	THREADED ROD,1/4-28 X 10 IN***.....	1
--	65815	CLAMP, AIR CLEANER (27915)**.... <i>clamp that holds the end cap on</i>	1	23	33240P-S	BRACKET,ACTUATOR ARM MTG,PTD.....	1
5	13002	SCREW,HHC,5/16-18 X 1 GR5.....	4	24	22578	SCREW,HHC,M6 X 20MM,GR8.8....	2
6	5397	WASHER,FLAT,USS,5/16",Y.....	4	25	49407	WASHER,LOCK,M6.....	2
7	6002	NUT,LP NYLOCK,5/16-18.....	4	26	21130	CLEVIS YOKE-1/4-28,PLTD W/PIN.....	1
8	53952	BRKT,AIR CLEANER ORIENTATION**.....	2	27	21496	NUT,HEX,1/4-28.....	2
9	30769P-S	BRACKET,AIR CLEANER MTG.PAINT.....	1	28	6090	SCREW,HHC,1/4-20 X .75.....	4
10	30966	HOSE,AIR INTAKE 2.25" I.D..... <i>to SN 2776</i>	1	29	6638	WASHER,FLAT,USS,1/4"Y.....	6
11	30967	HOSE,AIR INTAKE 2.75" I.D.**.....	1	30	6889	NUT,LP NYLOCK,1/4-20.....	4
12	29557	CAP,OIL FILLER,DEUTZ,DIESEL***.....	2	31	6833	CLAMP,0.50,#8 X 1/4,RUB CUSH....	2
13	37033	SENDING UNIT,OIL PRESS.,DEUTZ*..... <i>single-terminal sender</i>	1	32	60521	RELAY,SEALED 30/40 AMP..... <i>from SN 2716</i>	1
14	49923	PUMP, FUEL LIFT, F4L1011F.....	1	--	73993	HARNES, RPM SOLENOID RELAY***..... <i>from SN 2716</i>	1
15	52352	DIPSTICK-F3L1011F (DEUTZ).....	1	33	29073	SOLENOID, THROTTLE,.....	1
16	T114678	SHUTDOWN SOLENOID,12V, DEUTZ..... <i>(replaced 32752) (must order cable assembly, 58256, if replacing solenoid 32752) (does not include o-ring)</i>	1	--	52537	BOOT,SOLENOID,29073.....	1
--	58256	SOLENOID CABLE ASSY*** <i>(this part works with solenoid 32752)</i>	1	--	58170	SOLENOID UPDATE KIT..... <i>to SN 2715</i>	1
				34	33241P-S	BRACKET,SOLENOID MTG,PAINTED.....	1

406.1 Deutz F4L 1011F Engine - View 3
(continued)

Item	Part No.	Description	Qty.
35	77139	FILTER ASY,M PRESS,SAE8,WOIND*.....	1
--	20880	FILTER ELEMENT-10 MIC.***.....	1
36	30230P-S	FILTER MOUNT BRACKET.....	1
37	122058	BATTERY CABLE,1/0 GA,BLK 30".....	1
38	44064	SCREW,HHC,M10 X 30MM,.....	4
39	22700	WASHER,LOCK,M10.....	4
40	6097	WASHER,FLAT,USS,3/8",Y.....	3
41	8914	SCREW,HHC,1/4-20 X .625.....	4
42	6356	WASHER,LOCK,.25.....	4
43	30143	BATTERY,12V,1000 CCA GRP 31.....	1
44	30891	BATT.CABLE,00,POS.,RED,50".....	1
45	18189	BOOT,BATTERY TERMINAL,RED.....	1
46	30144	BATTERY HOLD DOWN,GROUP 31.....	1
47	30784-975	THREADED ROD,(1/4-20),9.75.....	2
48	8170	NUT,WING,1/4-20.....	2
49	35067	TUBE,RD,ALUM 2.5 X .083.....	1
50	139624	SWITCH, OIL PRESSURE 1.5 BAR.....	1
--	139666	KIT,OP SWITCH,DEUTZ <i>(oil pressure kit for models with ALC-500 control system. replaces 65765. includes item 139624 and instructions)</i>	

This Page Intentionally Left Blank

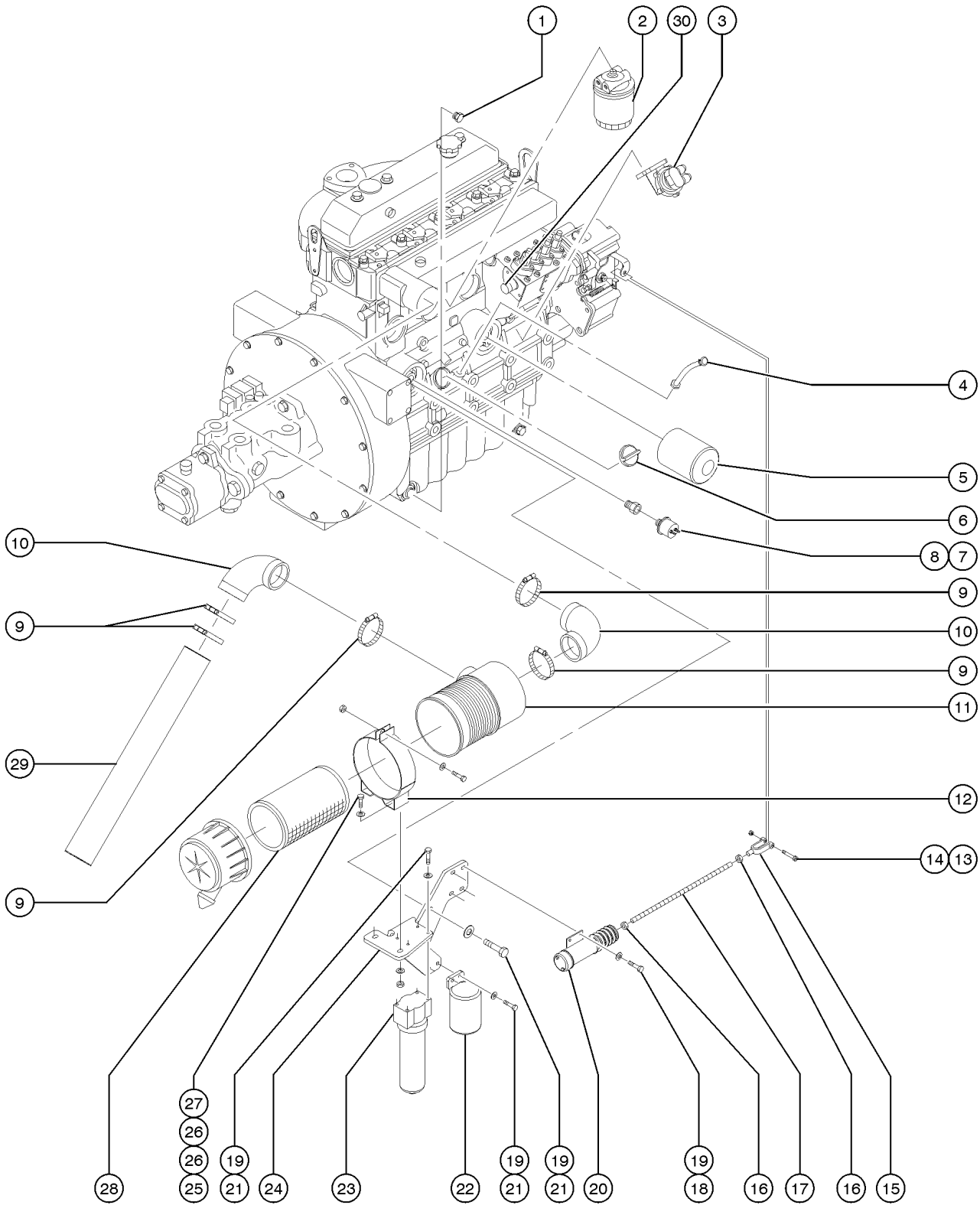
407.1 Perkins 704-30 Engine - View 1



407.1 Perkins 704-30 Engine - View 1

Item	Part No.	Description	Qty.	Item	Part No.	Description	Qty.
1	65499	CAP, SIDE OIL FILL, PERKINS.....	1	26	65487	ALTERNATOR, PERKINS	
2	65503	GASKET,MUFFLER PERKINS(53883).....	1			(53883).....	1
3	65504	NUT,MUFFLER PERKINS 10MM.....	3				
4	63313	MUFFLER, PERKINS.....	1				
5	16584	U-BOLT, KIT 5/16-18 X 2.5.....	2				
6	63326P	MUFFLER BRACKET, PAINTED.....	1				
7	6037	NUT,HEX,5/16-18,GR5.....	4				
8	6886	WASHER,LOCK,.313.....	6				
9	5397	WASHER,FLAT,USS,5/16",Y.....	4				
10	23057	SCREW,HHC,M8 X 20MM.....	2				
11	6638	WASHER,FLAT,USS,1/4"Y.....	2				
12	44064	SCREW,HHC,M10 X 30MM,.....	26				
13	22700	WASHER,LOCK,M10.....	26				
14	45454	CLAMP,RUB CUSH,0.75,#12 X 3/8*.....	1				
15	37027	PUMP,VAR PISTON,2.8 C.I.***	1				
--	22965	EDC ASSY,SAUER,M46***	1				
--	27067	SEAL,SHAFT-SUNDSTRAND***	1				
--	29739	SEAL KIT,SAUER-DANFOSS M46***	1				
--	32611	SHAFT,M46 15 TOOTH.....	1				
--	46674	PUMP,VAR.PISTON M46 2.8 CIQVP*.....	1				
--	65843	SEAL,LINK KIT***	1				
--	72290	SNAP RING(M46 UNITS)*.....	1				
16	53959	PUMP,LIFT 1.403 C.I.***	1				
--	58228	SEAL KIT***	1				
17	6175	SCREW,HHC,3/8-16 X 1.....	10				
18	6097	WASHER,FLAT,USS,3/8",Y.....	2				
19	29436	O-RING***	1				
20	6096	SCREW,HHC,1/2-13 X 2 GR5.....	2				
21	6033	WASHER,LOCK,0.5".....	2				
22	63464P	PLATE, PUMP MOUNT, PAINTED***	1				
23	37002	COUPLER,HUB,15 TOOTH 7/16BOLT*.....	1				
24	33024	FLYWHEEL FLANGE, GREEN PLASTIC.....	1				
25	65495	STARTER MOTOR, PERKINS (53883).....	1				

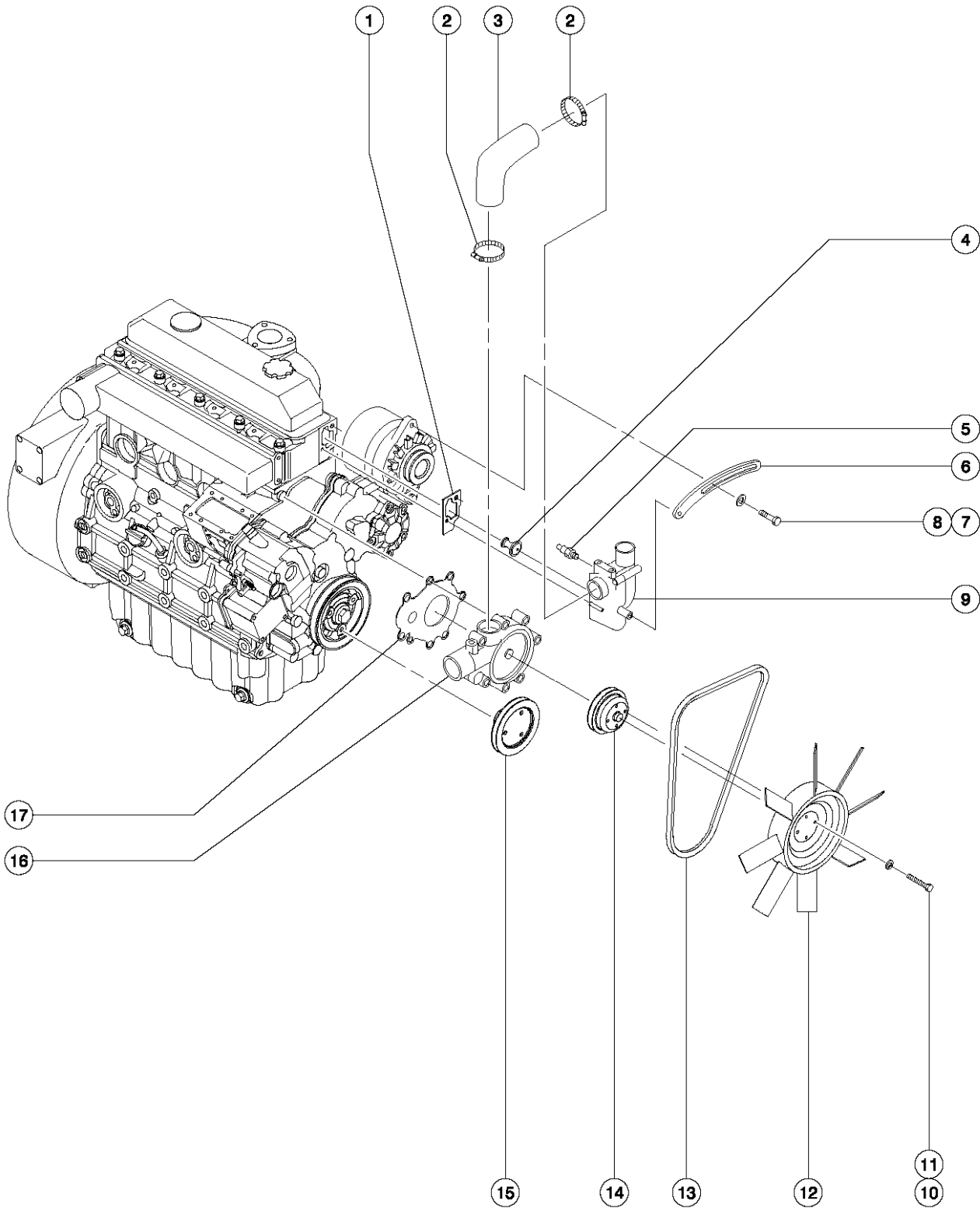
408.1 Perkins 704-30 Engine - View 2



408.1 Perkins 704-30 Engine - View 2

Item	Part No.	Description	Qty.	Item	Part No.	Description	Qty.
1	109802	PLUG,STEEL SOCKET,SAE090109B-6.....	1	23	77139	FILTER ASY,M PRESS,SAE8,WIND*.....	1
2	62421	FILTER,FUEL,PERKINS.....	1	--	20880	FILTER ELEMENT-10 MIC.***.....	1
3	65500	PUMP, LIFT INLET PORT (53883).....	1	24	63399P	AIR CLEANER BRACKET, PAINTED.....	1
--	53948	ADPTR,STR FEM INV 45D 1/4X1/4.....	1	25	13002	SCREW,HHC,5/16-18 X 1 GR5.....	2
--	65501	FITTINGS, LIFT PUMP INLET PORT.....	1	--	48498	ISOLATOR,AIR FILTER MOUNT....	2
4	65497	DIPSTICK (53883).....	1	26	5397	WASHER,FLAT,USS,5/16",Y.....	4
5	62422	FILTER,OIL,PERKINS 704-30 (BB).....	1	27	6782	NUT,NYLOCK,5/16-18.....	2
6	65498	CAP,OIL FILLER, PERKINS.....	1	--	18503	NUT,LOCKING-LG.FLANGE,5/16-18.4 to SN 2958	
7	30810	SENDING UNIT,OIL PRESSURE***.....	1	28	62420	FILTER,AIR***.....	1
		<i>dual-terminal sender</i>		29	34162-3150	HOSE,AIR INTAKE 2.5" I.D.....	1
8	53951	ADPTR,ST. THR 3/4-16 FEM PIPE.....	1	30	72265	SOLENOID,SHUTDOWN,PERKINS ****	
9	53945	CLAMP,HOSE 2 5/16-3 1/4.....	5				
10	34164	ELBOW,90 DEGR,RUBBER,2.5" I.D.*.....	2				
11	63463	AIR CLEANER,NELSON***.....	1				
--	62420	FILTER,AIR***.....	1				
12	53952	BRKT,AIR CLEANER ORIENTATION**.....	1				
		<i>includes mounting fasteners</i>					
13	6584	SCREW,SHS,10-24 X .625.....	1				
14	5365	NUT,NYLOCK,10-24.....	1				
15	21130	CLEVIS YOKE-1/4-28,PLTD W/PIN.....	1				
16	21496	NUT,HEX,1/4-28.....	2				
17	30785-1000	THREADED ROD,1/4-28 X 10 IN***.....	1				
18	6888	SCREW,HHC,1/4-20 X 1.....	4				
19	6638	WASHER,FLAT,USS,1/4"Y.....	11				
20	29073	SOLENOID,THROTTLE,.....	1				
--	52537	BOOT,SOLENOID,29073.....	1				
--	58170	SOLENOID UPDATE KIT.....	1				
		<i>to SN 2715</i>					
21	6090	SCREW,HHC,1/4-20 X .75.....	7				
22	81199	SEPARATOR/FILTER,FUEL-D,30MIC.1					
--	65853	FILTER,FUEL/WATER SEPARATOR***.....	1				

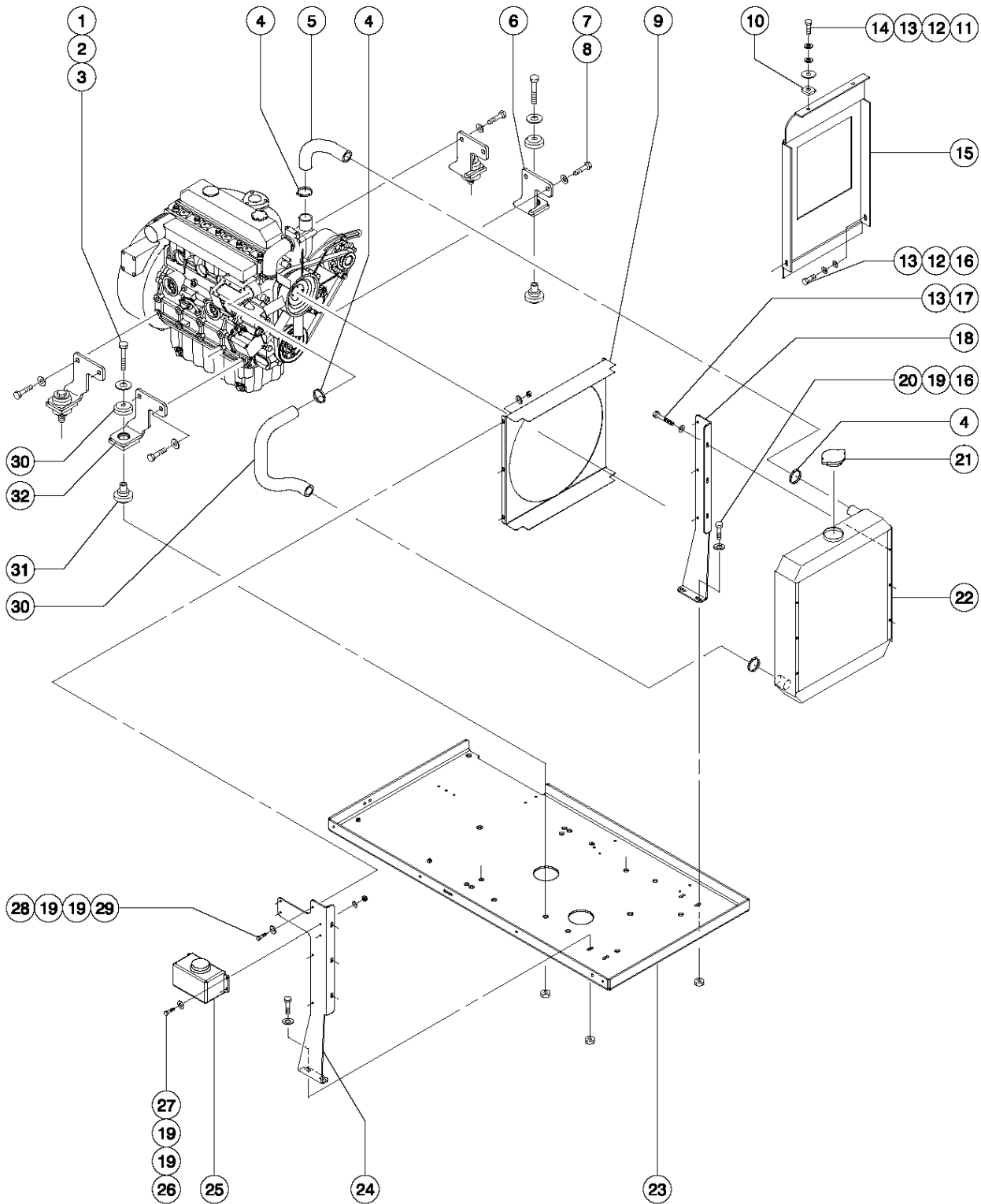
409.1 Perkins 704-30 Engine - View 3



409.1 Perkins 704-30 Engine - View 3

Item	Part No.	Description	Qty.
1	65505	GASKET, THERMOSTAT (53883)....	1
2	65506	CLAMP, HOSE (53883).....	2
3	65507	HOSE, WATER PUMP (53383).....	1
4	65493	THERMOSTAT, PERKINS (53883).....	1
5	34058	SENDING UNIT,TMP,FRD,GM,PRK704.....	1
6	65488	LEVER ALTERNATOR, (53883).....	1
7	49381	SCREW,HHC,M12 X 30.....	2
8	65355	WASHER,LOCK,M12.....	2
9	65494	HOUSING,THERMOSTAT (53883).....	1
10	67349	SCREW,HHC,M8 X 50.....	4
11	49408	WASHER,LOCK,M8.....	4
12	65490	FAN, PERKINS (53883).....	1
13	62423	BELT,V KIT, PERKINS 704-30.....	1
14	77482	PULLEY, WATER PUMP.....	1
15	65496	PULLEY,CRANKSHAFT (53883).....	1
16	65491	WATER PUMP, PERKINS (53883).....	1
17	65492	GASKET,TIMMING CASE COVER.....	1

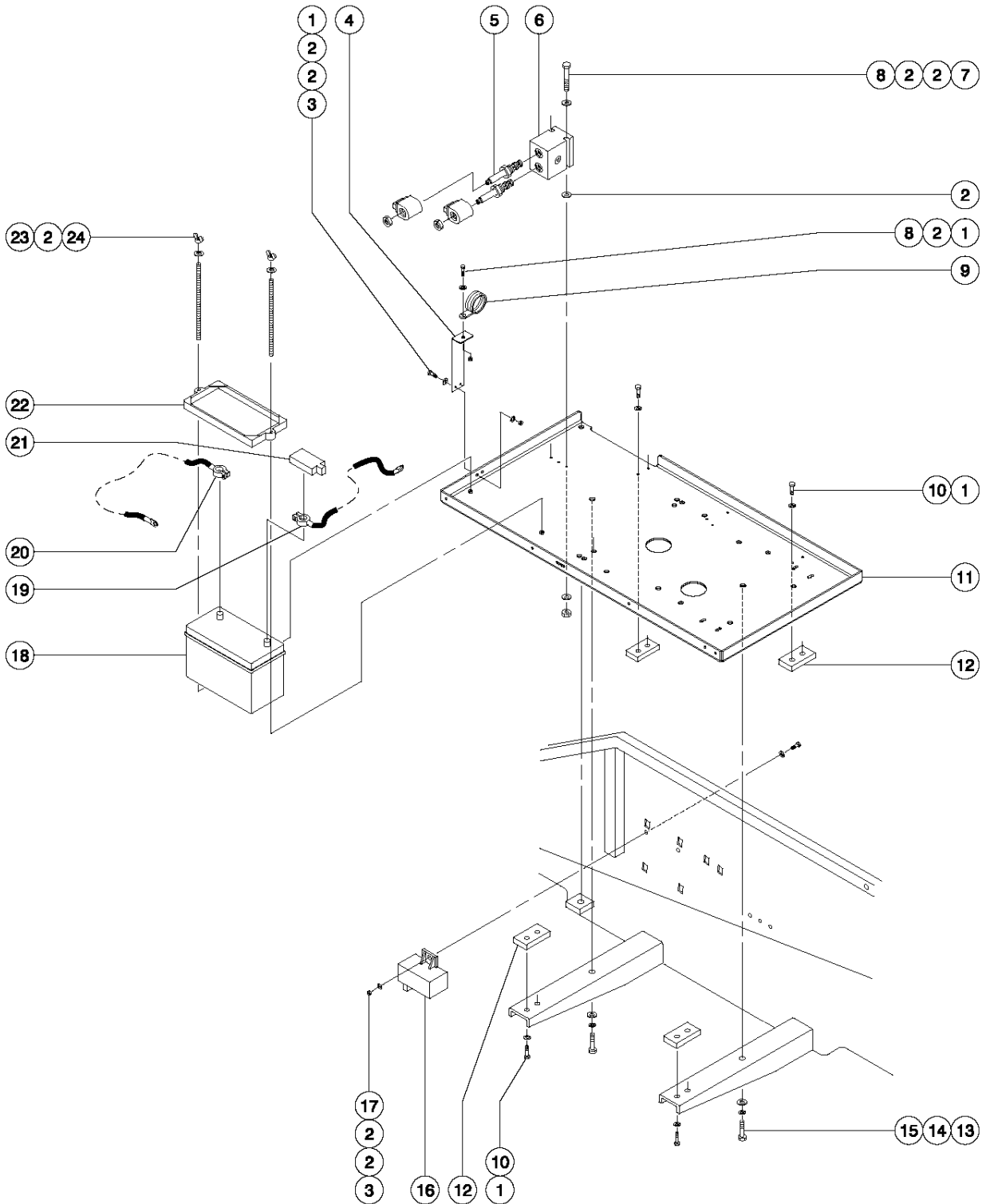
410.1 Perkins 704-30 Engine - View 4



410.1 Perkins 704-30 Engine - View 4

Item	Part No.	Description	Qty.
1	53909	SCREW,HHC,5/8-11 X 4.0 GR8.....	4
2	33418	WASHER,FLAT,.625 X 2.25 X.15.....	4
3	6024	NUT,NYLOCK,5/8-11.....	4
4	21465	CLAMP,HOSE,SIZE .25 TO .63.....	4
5	63413	RADIATOR HOSE, UPPER.....	1
6	63418	WELDMENT,ENGINE MOUNT,INBOARD.....	1
7	49384	SCREW,HHC,M14 X 30.....	4
8	37505	WASHER,LOCK,M14.....	4
9	63364P	FAN SHROUD, PAINTED.....	1
10	29868	SPRING CLIP,3/8-16.....	2
11	6708	SCREW,HHC,3/8-16 X 2.25.....	2
12	6021	WASHER,LOCK,.375.....	4
13	5397	WASHER,FLAT,USS,5/16",Y.....	10
14	6095	WASHER,FLAT,USS,1/2",Y.....	4
15	63401P	BAFFLE,PERKINS,S60/80,PAINTED*.	1
16	6175	SCREW,HHC,3/8-16 X 1.....	6
17	13002	SCREW,HHC,5/16-18 X 1 GR5.....	6
18	63362P	RADIATOR MOUNT, LH, PAINTED.....	1
19	6638	WASHER,FLAT,USS,1/4"Y.....	26
20	7713	NUT,LP NYLOCK,3/8-16.....	6
21	65473	CAP,RADIATOR,PERKINS/FORD....	1
22	63462	RADIATOR,PERKINS,GM.....	1
23	30679-S	WELDMENT, ENGINE MODULE PLATE.....	1
24	63363P	RADIATOR MOUNT, RH PAINTED.....	1
25	54071	COOLANT RETURN SYSTEM,Z45***.....	1
--	72327	CAP, COOLANT RET SYS(54071).....	1
26	6090	SCREW,HHC,1/4-20 X .75.....	4
27	6889	NUT,LP NYLOCK,1/4-20.....	4
28	6888	SCREW,HHC,1/4-20 X 1.....	6
29	6091	NUT,NYLOCK,1/4-20.....	6
30	63414	RADIATOR HOSE, LOWER.....	1
31	28076	ISOLATOR,VIBRATION,LG,RD&WH***.	4
32	63419	WELDMENT,ENGINE MOUNT,OUTBOARD.....	1

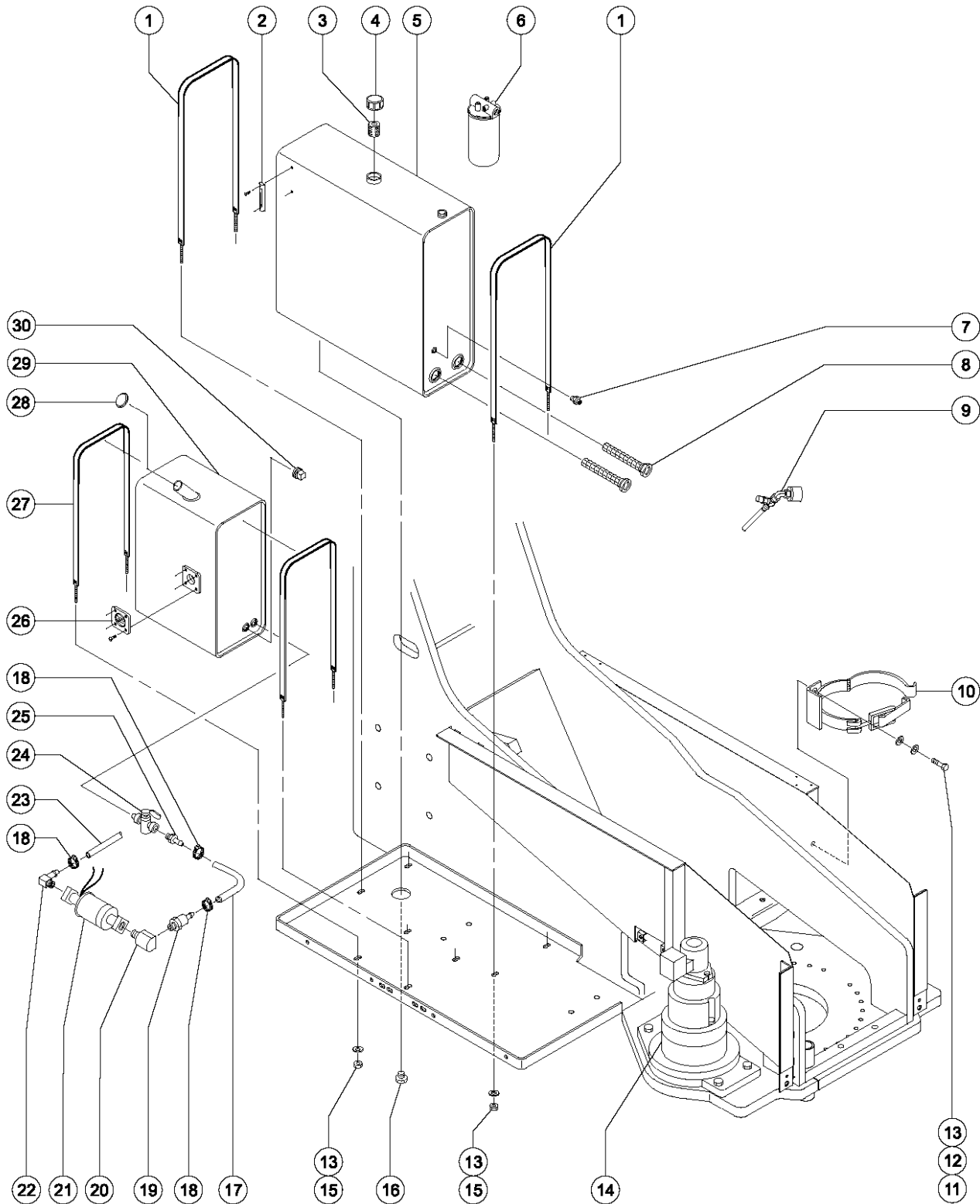
411.1 Perkins 704-30 Engine - View 5



411.1 Perkins 704-30 Engine - View 5

Item	Part No.	Description	Qty.
1	6090	SCREW,HHC,1/4-20 X .75.....	11
2	6638	WASHER,FLAT,USS,1/4"Y.....	15
3	6091	NUT,NYLOCK,1/4-20.....	3
4	63457P	AIR INTAKE BRACKET, PAINTED.....	1
5	65766	VALVE,SOLENOID,10V W/DIODE***	2
--	45912	NUT,SOLENOID,2POS 3WAY.....	2
--	81043	COIL,SOLENOID,8 DSD 10V,W/DIO.....	2
6	42157	MANIFOLD,BRAKE/MOTOR SHIFT.....	1
		<i>includes index number 5; to SN 2744</i>	
--	81024	MANIFOLD,BRAKE/2 SPD.....	1
		<i>includes index number 5; from SN 2745</i>	
7	6115	SCREW,HHC,1/4-20 X 3.5.....	2
8	6889	NUT,LP NYLOCK,1/4-20.....	3
9	45455	CLAMP,2.75,#44 X 1/4,RUB CUSH*	1
10	6356	WASHER,LOCK,.25.....	8
11	30679-S	WELDMENT, ENGINE MODULE PLATE.....	1
12	45209	WEAR PAD,4X2X.5 W/INSERT***	4
13	21175	SCREW,SHC,5/8-11 X 4,A574.....	2
14	6036	WASHER,LOCK,.625 PLTD.....	4
15	33418	WASHER,FLAT,.625 X 2.25 X.15....	4
16		CONTROLLER,GLOW PLUG (53883).....	1
		<i>component no longer available</i>	
17	6888	SCREW,HHC,1/4-20 X 1.....	1
18	30143	BATTERY,12V,1000 CCA GRP 31.....	1
19	30891	BATT.CABLE,00,POS.,RED,50".....	1
20	122058	BATTERY CABLE,1/0 GA,BLK 30".....	1
21	18189	BOOT,BATTERY TERMINAL,RED.....	1
22	30144	BATTERY HOLD DOWN,GROUP 31.....	1
23	8170	NUT,WING,1/4-20.....	2
24	30784-975	THREADED ROD,(1/4-20),9.75.....	2

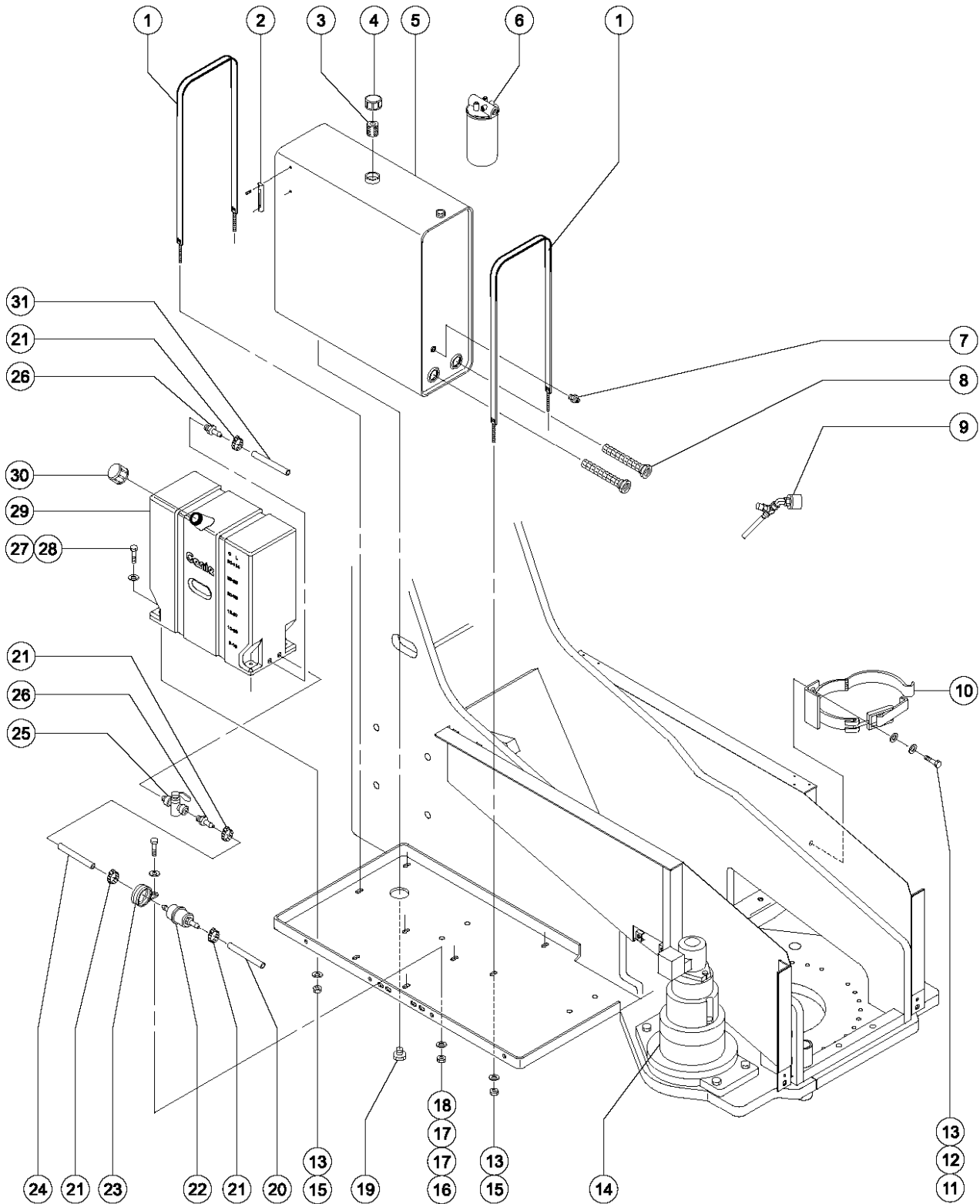
501.1 Hydraulic and Fuel Tanks - Gasoline/LPG Models (with metal fuel tank)



501.1 Hydraulic and Fuel Tanks - Gasoline/LPG Models (with metal fuel tank)

Item	Part No.	Description	Qty.	Item	Part No.	Description	Qty.
1	31524	STRAP ASSY,TANK, 66 INCH.....	2	27	30179	TANK STRAP,BOLT STYLE,62".....	2
--	31658	EXTRUSION,RUBBER BUMPER STRIP.....	2	--	31658	EXTRUSION,RUBBER BUMPER STRIP.....	2
2	21141	GAUGE-SIGHT,LHA-LGTB***.....	1	28	28829	CAP,FUEL,RED***.....	1
3	31506	STRAINER,FILLER NECK.....	1	29	30546P-S	TANK,30 GALLON,PAINTED**.....	1
4	53527	CAP,FILLER BREATHER,3 MICRON**.....	1			<i>includes index number 30</i>	
5	53353	TANK,HYDRAULIC,45 GALLON***.....	1	30	18218	PLUG,PIPE,HEX HEAD,STL,1/4NPT.....	1
		<i>includes index numbers 2, 4, 8 and 16</i>					
6	48470	FILTER ASSEMBLY W/IND L,PAPER.....	1				
--	46014	FILTER,ELEMENT,BETA(6)=200.....	1				
7	48922	CONN,520102-6-6.....	1				
8	45161	STRAINER ASSEMBLY,1.5" NPT.....	2				
9	25967	HOSE ASSEMBLY,LP GAS-86" LNG**.....	1				
10	53120-S	LP.TANK BRACKET TALL W/LDMNT.....	1				
		<i>Gasoline/LPG Models</i>					
11	6175	SCREW,HHC,3/8-16 X 1.....	2				
12	6021	WASHER,LOCK,.375.....	2				
13	5397	WASHER,FLAT,USS,5/16",Y.....	10				
14		Ref. Turntable Rotator (refer to Figures 507.1 or 507.2).....	10				
15	4828	NUT,NYLOCK,3/8-16.....	8				
16	31507	PLUG,SQUARE HEAD,3/4 MPT.....	1				
17	27089	HOSE,5/16 FUEL,SAE 30R7					
18	21465	CLAMP,HOSE,SIZE .25 TO .63.....	3				
19	28662	FILTER,FUEL,LRG-423,SCREW-IN.1					
20	22585	ELBOW,130239-2-2.....	1				
21	46164	FUEL PUMP KIT,FORD LRG 423***.....	1				
--	46164	FUEL PUMP KIT,FORD LRG 423***.....	1				
		<i>includes index numbers 19, 20 and 22</i>					
22	38922	ELBOW,90DEG.1/8MPT-5/16 BARB.....	1				
23	27089	HOSE,5/16 FUEL,SAE 30R7					
24	19487	VALVE,FUEL LOCK.....	1				
25	27586	HOSE END,MALE,.313 X .25 MPT.....	1				
26	30584	GAUGE,FUEL,SIDE MOUNT.....	1				

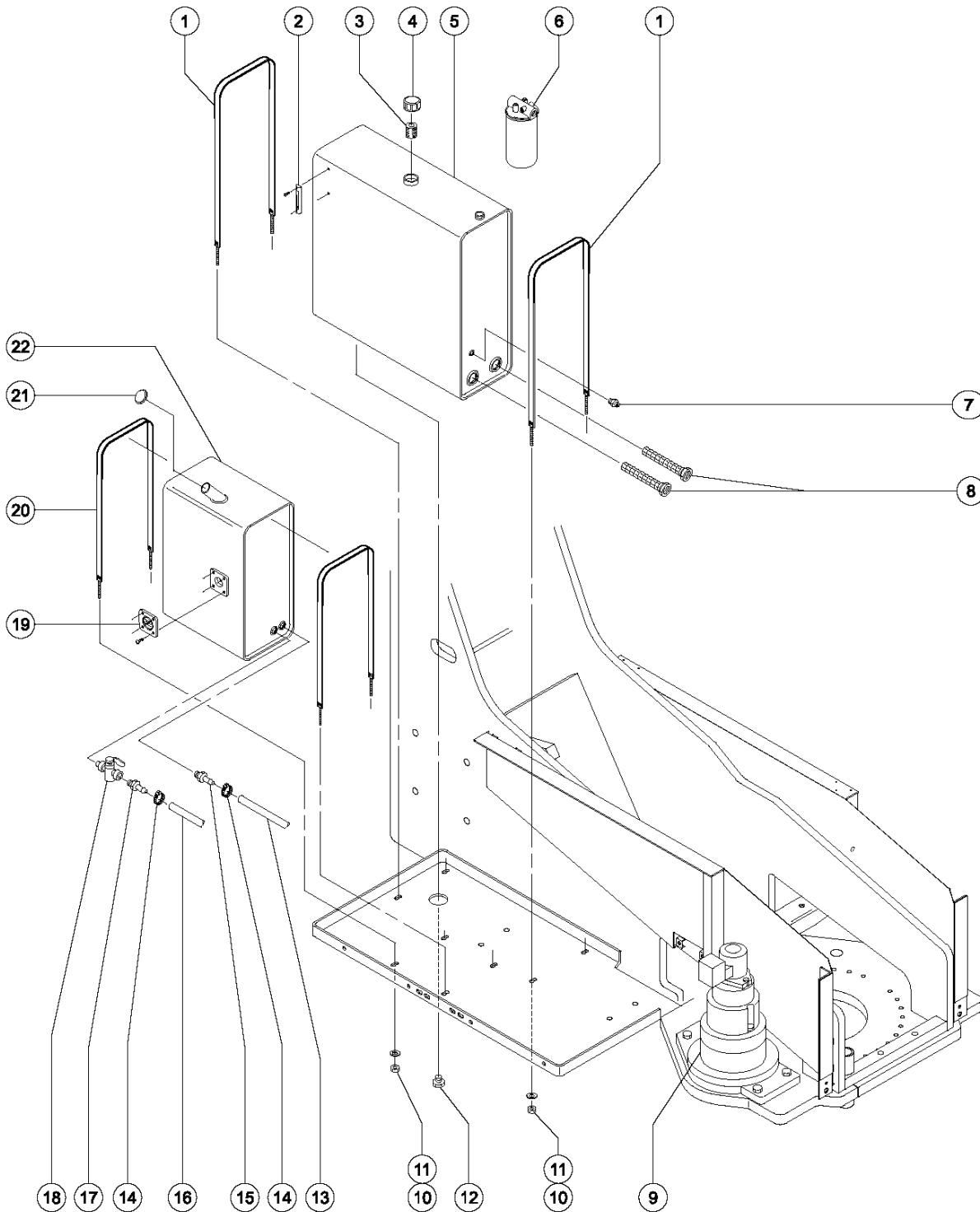
502.1 Hydraulic and Fuel Tanks - Gasoline/LPG Models (with plastic fuel tank)



502.1 Hydraulic and Fuel Tanks - Gasoline/LPG Models (with plastic fuel tank)

Item	Part No.	Description	Qty.	Item	Part No.	Description	Qty.
1	31524	STRAP ASSY,TANK, 66 INCH.....	2	31	27089	HOSE,5/16 FUEL,SAE 30R7	
--	31658	EXTRUSION,RUBBER BUMPER STRIP.....	2				
2	21141	GAUGE-SIGHT,LHA-LGTB***.....	1				
3	31506	STRAINER,FILLER NECK.....	1				
4	53527	CAP,FILLER BREATHER,3 MICRON**.....	1				
5	53353	TANK,HYDRAULIC,45 GALLON***.....	1				
		<i>includes index numbers 2, 4, 8 and 19</i>					
6	48470	FILTER ASSEMBLY W/IND L,PAPER.....	1				
--	46014	FILTER,ELEMENT,BETA(6)=200....	1				
7	48922	CONN,520102-6-6.....	1				
8	45161	STRAINER ASSEMBLY,1.5" NPT....	2				
9	25967	HOSE ASSEMBLY,LP GAS-86" LNG**.....	1				
10	53120-S	LP.TANK BRACKET TALL WLDMNT.....	1				
11	6175	SCREW,HHC,3/8-16 X 1.....	2				
12	6021	WASHER,LOCK,.375.....	2				
13	5397	WASHER,FLAT,USS,5/16",Y.....	10				
14		Ref. Turntable Rotator (refer to Figures 507.1 or 507.2).....	10				
15	4828	NUT,NYLOCK,3/8-16.....	8				
16	6889	NUT,LP NYLOCK,1/4-20.....	1				
17	6638	WASHER,FLAT,USS,1/4"Y.....	2				
18	6090	SCREW,HHC,1/4-20 X .75.....	1				
19	31507	PLUG,SQUARE HEAD,3/4 MPT.....	1				
20	27089	HOSE,5/16 FUEL,SAE 30R7					
21	21465	CLAMP,HOSE,SIZE .25 TO .63.....	3				
22	52179	FILTER, FUEL LRG 425/423 EFI....	1				
23	45455	CLAMP,2.75,#44 X 1/4,RUB CUSH*.....	1				
24	27089	HOSE,5/16 FUEL,SAE 30R7					
25	19487	VALVE,FUEL LOCK.....	1				
26	53023	FITTING,1/4 MPT 5/16 BARB.....	2				
27	8178	SCREW,HHC,3/8-16 X 2.5.....	4				
28	6097	WASHER,FLAT,USS,3/8",Y.....	4				
29	73593	FUEL TANK,H/D PLASTIC W/DECAL*.....	1				
30	101727	CAP,FUEL,GAS,1/8"VENT(RED)....	1				

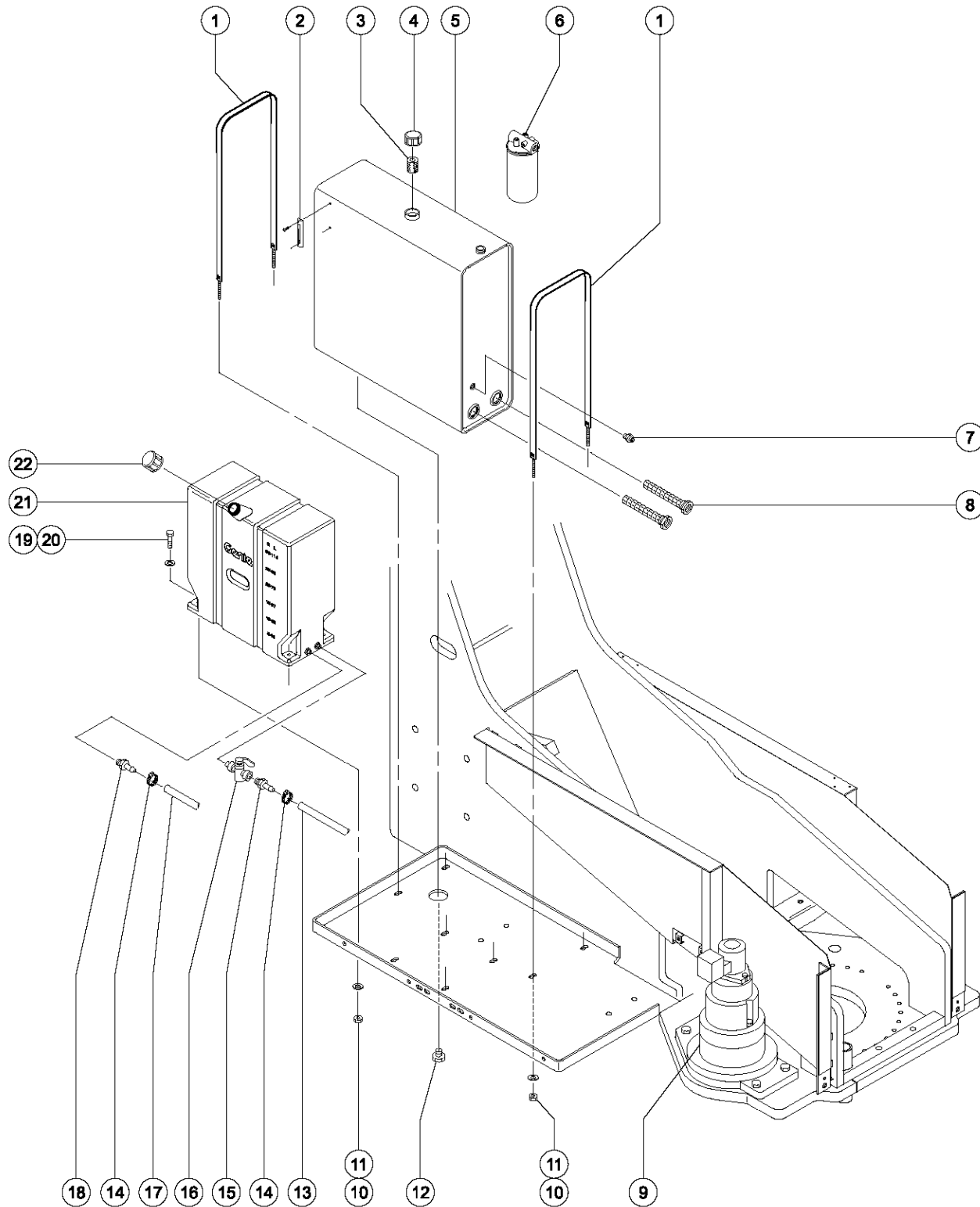
503.1 Hydraulic and Fuel Tanks - Diesel Models (with metal fuel tank)



503.1 Hydraulic and Fuel Tanks - Diesel Models (with metal fuel tank)

Item	Part No.	Description	Qty.
1	31524	STRAP ASSY,TANK, 66 INCH.....	2
--	31658	EXTRUSION,RUBBER BUMPER STRIP.....	2
2	21141	GAUGE-SIGHT,LHA-LGTB***.....	1
3	31506	STRAINER,FILLER NECK.....	1
4	53527	CAP,FILLER BREATHER,3 MICRON**.....	1
5	53353	TANK,HYDRAULIC,45 GALLON***..... <i>includes index numbers 2, 4, 8 and 12</i>	1
6	48470	FILTER ASSEMBLY W/IND L,PAPER.....	1
--	46014	FILTER,ELEMENT,BETA(6)=200.....	1
7	48922	CONN,520102-6-6.....	1
8	45161	STRAINER ASSEMBLY,1.5" NPT.....	2
9		Ref. Turntable Rotator (refer to Figures 507.1 or 507.2).....	2
10	4828	NUT,NYLOCK,3/8-16.....	8
11	5397	WASHER,FLAT,USS,5/16",Y.....	8
12	31507	PLUG,SQUARE HEAD,3/4 MPT.....	1
13	30490	HOSE,1/4 FUEL LINE,SAE 30R7	
14	21465	CLAMP,HOSE,SIZE .25 TO .63.....	2
15	29137	HOSE END,MALE.25 X .25 MPT.....	1
16	27089	HOSE,5/16 FUEL,SAE 30R7	
17	53023	FITTING,1/4 MPT 5/16 BARB.....	1
18	19487	VALVE,FUEL LOCK.....	1
19	30584	GAUGE,FUEL,SIDE MOUNT.....	1
20	30179	TANK STRAP,BOLT STYLE,62".....	2
--	31658	EXTRUSION,RUBBER BUMPER STRIP.....	2
21	25567	CAP,FUEL,GREEN*.....	1
22	30546P-S	TANK,30 GALLON,PAINTED**.....	1

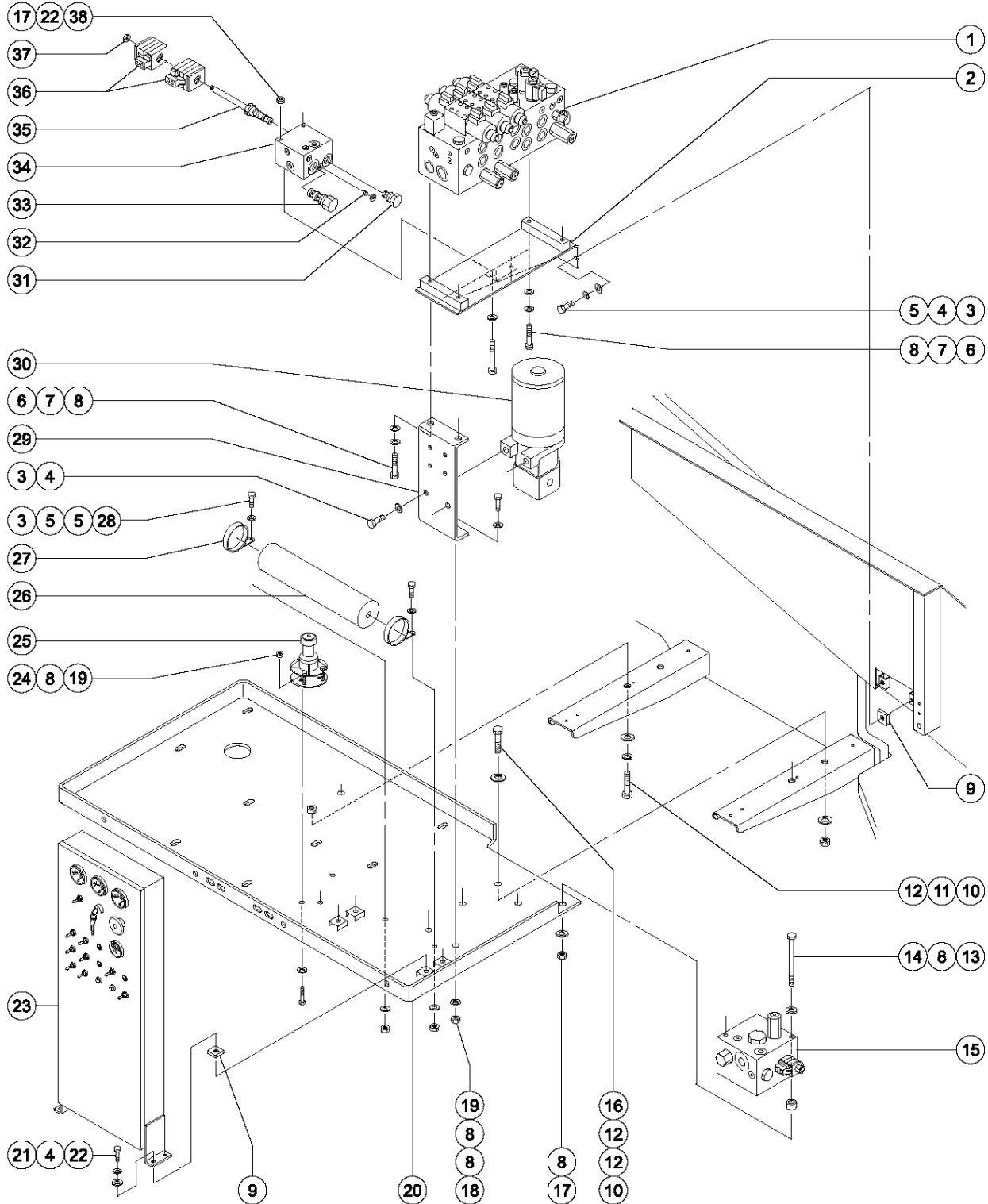
504.1 Hydraulic and Fuel Tanks - Diesel Models (with plastic fuel tank)



504.1 Hydraulic and Fuel Tanks - Diesel Models (with plastic fuel tank)

Item	Part No.	Description	Qty.
1	30179	TANK STRAP,BOLT STYLE,62".....	2
--	31658	EXTRUSION,RUBBER BUMPER STRIP.....	2
2	21141	GAUGE-SIGHT,LHA-LGTB***.....	1
3	31506	STRAINER,FILLER NECK.....	1
4	53527	CAP,FILLER BREATHER,3 MICRON**.....	1
5	53353	TANK,HYDRAULIC,45 GALLON***..... <i>includes index numbers 2, 4, 8 and 12</i>	1
6	48470	FILTER ASSEMBLY W/IND L,PAPER.....	1
--	46014	FILTER,ELEMENT,BETA(6)=200.....	1
7	48922	CONN,520102-6-6.....	1
8	45161	STRAINER ASSEMBLY,1.5" NPT.....	2
9		Ref. Turntable Rotator (refer to Figures 507.1 or 507.2).....	2
10	4828	NUT,NYLOCK,3/8-16.....	8
11	5397	WASHER,FLAT,USS,5/16",Y.....	8
12	31507	PLUG,SQUARE HEAD,3/4 MPT.....	1
13	27089	HOSE,5/16 FUEL,SAE 30R7	
14	21465	CLAMP,HOSE,SIZE .25 TO .63.....	2
15	53023	FITTING,1/4 MPT 5/16 BARB.....	1
16	19487	VALVE,FUEL LOCK.....	1
17	30490	HOSE,1/4 FUEL LINE,SAE 30R7	
18	29137	HOSE END,MALE.25 X .25 MPT.....	1
19	8178	SCREW,HHC,3/8-16 X 2.5.....	4
20	6097	WASHER,FLAT,USS,3/8",Y.....	4
21	73593	FUEL TANK,H/D PLASTIC W/DECAL*.....	1
22	101726	CAP,FUEL,DIESEL,1/8"VENT(GRN).1	

505.1 Function Manifold and Auxiliary Power Unit Installation



505.1 Function Manifold and Auxiliary Power Unit Installation

Item	Part No.	Description	Qty.	Item	Part No.	Description	Qty.
1	146174	MANIFOLD,3 FUNCTION W/BYPASS to SN 2744		--	147289	SEAL KIT, APU.....1 use with APU 89617, from SN 2943	1
--	146175	MANIFOLD,3 FUNCT W/BYPASS S80 from SN 2745		--	147290	SHAFT SEAL, APU.....1 use with APU 89617, from SN 2943	1
2	53122-S	WELDMENT,FUNCTION MANIFOLD MNT.....1	1	--	32948	COUPLER,PUMP TO MOTOR (32810).....1 use with APU 53236; to SN 2942	1
3	6019	SCREW,HHC,3/8-16 X 1.25 GRD 5.....6	6	--	32955	END HEAD, 32810 POWER UNIT...1 use with APU 53236; to SN 2942	1
4	6021	WASHER,LOCK,,375.....8	8	--	32959	BALL,CHECK (32810).....1 use with APU 53236; to SN 2942	1
5	6097	WASHER,FLAT,USS,3/8",Y.....6	6	--	32962	GASKET,0.0005,SILVER (32810).....1 use with APU 53236; to SN 2942	1
6	4266	SCREW,HHC,1/4-20 X 2.....4	4	--	32963	GASKET,0.001,AMBER (32810).....1 use with APU 53236; to SN 2942	1
7	6356	WASHER,LOCK,,25.....4	4	--	32964	GASKET,0.00075,GOLD (32810).....1 use with APU 53236; to SN 2942	1
8	6638	WASHER,FLAT,USS,1/4"Y.....14	14	--	32967	GASKET,PUMP TO DC MTR.(32810).....1 use with APU 53236; to SN 2942	1
9	29868	SPRING CLIP,3/8-16.....6	6	--	33455	PUMP, AUX. POWER UNIT.....1 use with APU 53236; to SN 2942	1
10	29883	SCREW,HHC,5/8-11 X 1.75 GRD.8.....3	3	--	58489	PUMP ASSY,AUX.POWER UNIT 89617.....1 use with APU 89617, from SN 2943	1
11	6036	WASHER,LOCK,,625 PLTD.....1	1	--	62080	MOTOR,12V DC,APU (53236).....1 use with APU 53236; to SN 2942	1
12	13064	WASHER,FLAT,,625 HARDENED....5	5	--	62268	PUMP, AUX. POWER UNIT.....1 use with APU 81071, from SN 2943	1
13	49465	SCREW,HHC,5/16-18 X 5.....2	2	--	77069	MOTOR,12VDC,77066.....1 use with APU 81071 and 89617, from SN 2943	1
14	45400	SPACER TUBE,,50 LG.....2	2	--	77071	SOLENOID,77066.....1 use with APU 81071 and 89617, from SN 2943	1
15	48536	MANIFOLD,AXLE EXTEND DUMP.....1	1	31	45543	VALVE,CHECK, 50 PSI.....1	1
16	6024	NUT,NYLOCK,5/8-11.....2	2	32	32669	ORIFICE PLUG,.025 (30551).....1	1
17	6782	NUT,NYLOCK,5/16-18.....2	2	33	33453	VALVE,FLOW REG.,3.5GPM (34543).....1	1
18	6091	NUT,NYLOCK,1/4-20.....2	2	34	81028	MANIFOLD,STEER,S60,80,OSC....1 includes index numbers 31, 32, 33, 35, 36 and 37; from SN 2745	1
19	6888	SCREW,HHC,1/4-20 X 1.....4	4	--	48537	MANIFOLD,STEER,S60,S80,OSC...1 includes index numbers 31, 32, 33, 35, 36 and 37; to SN 2744	1
20	30677	WELDMENT,HYD TANK MODULE.....1	1				
21	6175	SCREW,HHC,3/8-16 X 1.....4	4				
22	5397	WASHER,FLAT,USS,5/16",Y.....6	6				
23	33472	CONTROL BOX W/ DECAL,GROUND.....1	1				
24	6889	NUT,LP NYLOCK,1/4-20.....2	2				
25	44586	SENSOR,LEVEL 4.5***.....2	2				
26	37207	ACCUMULATOR,430 PSI PRECHARGE.....1	1				
27	27497	CLAMP,RUBBER CUSHIONED-2 5/32.....2	2				
28	4828	NUT,NYLOCK,3/8-16.....2	2				
29	30718P	BRACKET,AUX.PUMP MNT.PAINTED.....1	1				
30	89617	POWER UNIT,AUX PUMP 12VDC.....1 complete, replaced 53236 and 81071	1				

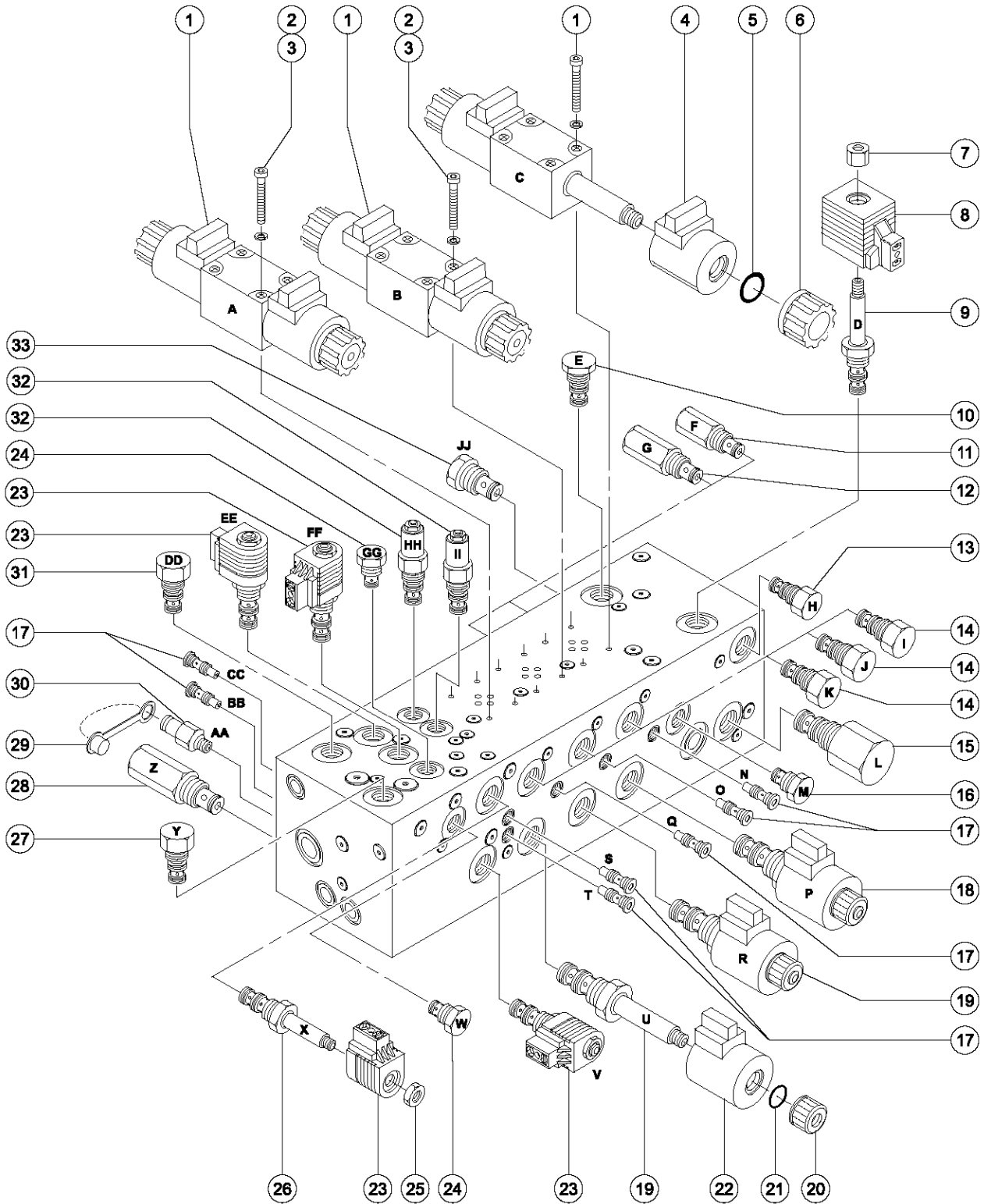
505.1 Function Manifold and Auxiliary Power Unit Installation
(continued)

Item	Part No.	Description	Qty.
35	43609	VALVE,SOLENOID,10V W/DOIDE.....1 <i>includes index numbers 36 and 37; from SN 2745</i>	
--	48684	VALVE, SOLENOID, 10V.....1 <i>includes index numbers 36 and 37; to SN 2744</i>	
36	81044	COIL,SOLENOID,10DSD 10V,W/DIOD.....2 <i>from SN 2745</i>	
--	29744	COIL,10V.....2 <i>to SN 2744</i>	
37	52943	NUT,SOLENOID VALVE.....1	
38	49468	SCREW,HHC,5/16-18 X 3.25.....2	

505.1 Function Manifold and Auxiliary Power Unit Installation
(continued)

This Page Intentionally Left Blank

506.1 Function Manifold



506.1 Function Manifold

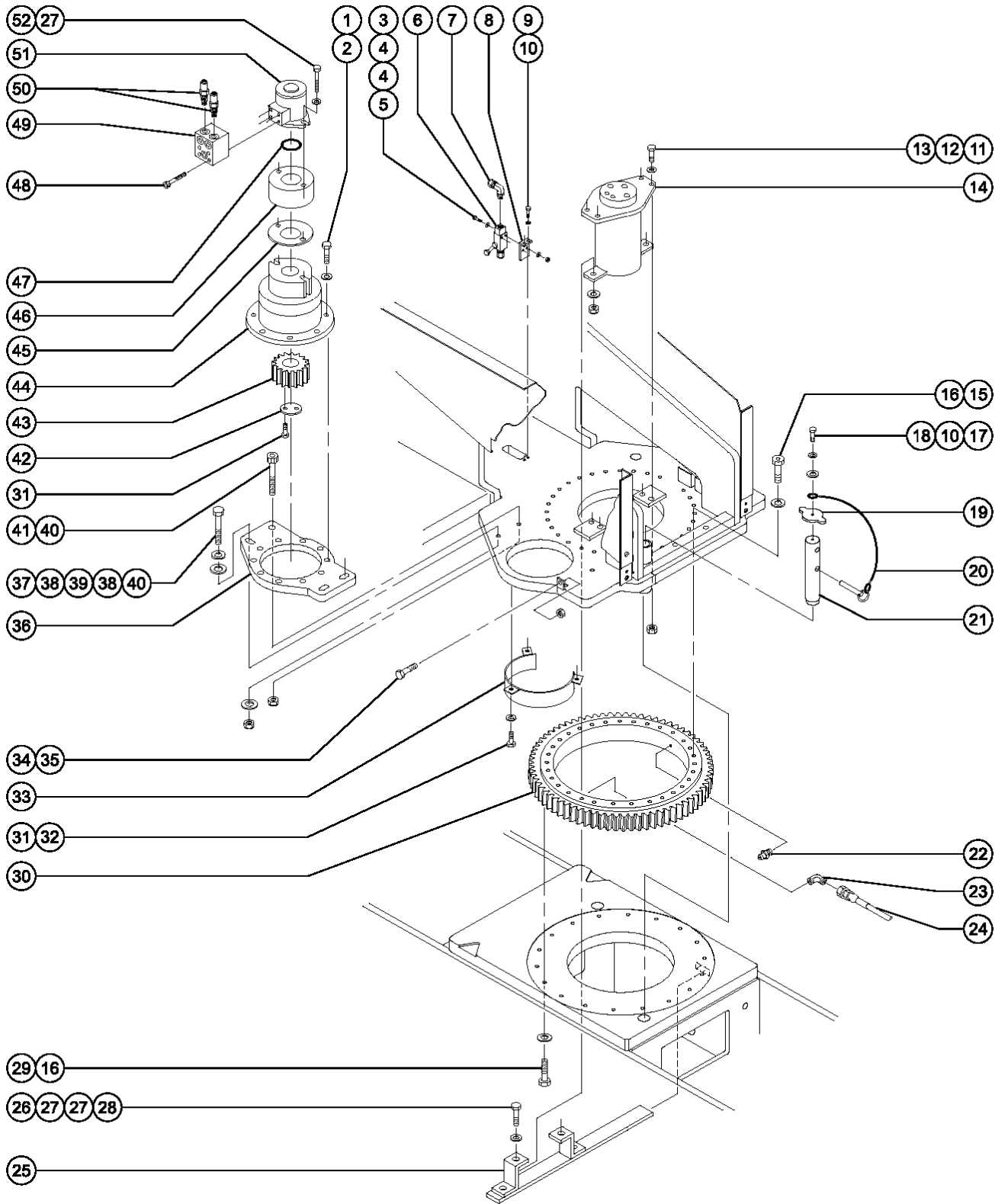
Item	Part No.	Description	Qty.	Item	Part No.	Description	Qty.
A		DO3 valve <i>Turntable rotate left/right</i>		V		Solenoid valve <i>Platform level up</i>	
B		DO3 valve <i>Boom up/down</i>		W		Flow regulator, 0.6 gpm <i>Platform level circuit</i>	
C		DO3 valve <i>Boom extend/retract</i>		X		Solenoid valve <i>Platform level down</i>	
D		Solenoid Valve <i>Hydraulic limit switch circuit</i>		Y		Differential sensing valve <i>Meters flow to functions</i>	
E		Check valve <i>Boom extend/retract circuit</i>		Z		Relief valve, 2900 psi <i>System relief</i>	
F		Relief valve <i>Boom extend</i>		AA		Diagnostic nipple <i>Testing</i>	
G		Relief valve <i>Boom down</i>		BB		Check valve <i>Differential sensing circuit, platform rotate left</i>	
H		Flow regulator <i>Hydraulic limit switch circuit</i>		CC		Check valve <i>Differential sensing circuit, platform rotate right</i>	
I		Differential Sensing <i>Boom extend/retract circuit</i>		DD		Flow regulator <i>Steer circuit</i>	
J		Differential Sensing <i>Boom up/down circuit</i>		EE		Solenoid valve <i>Platform rotate left/Jib boom up</i>	
K		Differential Sensing <i>Turntable rotate left/right</i>		FF		Solenoid valve <i>Platform rotate right/Jib boom down</i>	
L		Directional valve <i>Hydraulic limit switch circuit</i>		GG		Flow regulator <i>Platform rotate circuit</i>	
M		Flow regulator <i>Bleeds off differential sensing Valve to tank</i>		HH		Counterbalance valve <i>Platform level up</i>	
N		Check valve <i>Differential sensing circuit, boom extend/retract</i>		II		Counterbalance valve <i>Platform level down</i>	
O		Check valve <i>Differential sensing circuit, boom up/down</i>		JJ		Check valve <i>Boom extend/retract circuit</i>	
P		Proportional solenoid valve <i>Boom extend/retract</i>		--	146174	MANIFOLD,3 FUNCTION W/BYPASS to SN 2744	
Q		Check valve <i>Differential sensing circuit, turntable left/right</i>		--	146175	MANIFOLD,3 FUNCT W/BYPASS S80 from SN 2745	
R		Proportional solenoid valve <i>Boom up/down</i>		--	28750	O-RING KIT,FIELD SVC,ALL PROD*	
S		Check valve <i>Differential sensing circuit, platform level up</i>		--	33994	PLUG AND CAP KIT-SERVICE,37ø**	
T		Check valve <i>Differential sensing circuit, platform level down</i>		--	49612	O-RING KIT (ORFS FITTINGS)	
U		Proportional solenoid valve <i>Turntable rotate left/right</i>		--	49613	PLUG AND CAP KIT-SERVICE,ORFS*	
				1	146165	VALVE KIT,D03.....3 <i>includes two each index numbers 4, 5, and 6. kit comes with two inch screws, if customer needs four inch screws refer to 40617.</i>	

506.1 Function Manifold
(continued)

Item	Part No.	Description	Qty.	Item	Part No.	Description	Qty.
2	43255	SCREW,SHC,10-24 X 2.....	12	23	81043	COIL,SOLENOID,8 DSD 10V,W/DIO.....	4
3	6607	WASHER,LOCK,#10 PLTD.....	12			<i>from SN 2745</i>	
4	223763	COIL WITH DE CONNECTOR..... <i>previous coil part 41771 is no longer available, must upgrade original valve with a newer valve part 146165.</i>	6	--	27814	COIL,SOLENOID,10V.....	4
5	48648	O-RING, D03 COIL.....	6	24	31100	VALVE,FLOW REGULATOR 0.6GPM.....	2
6	48649	NUT-D03 COIL.....	6	25	45912	NUT,SOLENOID,2POS 3WAY.....	4
7	52943	NUT,SOLENOID VALVE.....	1	26	62247	VALVE,SOLENOID..... <i>includes index 1 each index numbers 23 and 25; from SN 2745</i>	4
8	81044	COIL,SOLENOID,10DSD 10V,W/DIOD.....	1	--	48642	VALVE-SOLENOID, 2POS,3WAY,10V.....	4
--	29744	COIL,10V..... <i>to SN 2744</i>	1			<i>includes index 1 each index numbers 23 and 25; to SN 2744</i>	
9	62247	VALVE,SOLENOID..... <i>includes index numbers 7 and 8; from SN 2745</i>	1	27	27804	VALVE,DIFFERENTIAL SENSING***.....	1
--	29743	VALVE,SOLENOID..... <i>includes index numbers 7 and 8; to SN 2744</i>	1	28	35000	VALVE,RELIEF 2900 PSI***.....	1
10	33511	VALVE,CHECK,PILOT OPERATED.....	1	29	48880	CAP,DIAGNOSTIC NIPPLE.....	1
11	48640	VALVE,RELIEF,2500 PSI.....	1	30	48997	NIPPLE,DIAGNOSTIC,#4 PORT***.....	1
12	48415	VALVE,RELIEF.....	1	--	20224	DIAGNOSTIC FEMALE Q-DSCNT.....	1
13	62243	VALVE,FLOW REGULATOR .2 GPM.....	1	31	34542	VALVE,FLOW REGULATOR 5.0 GPM.....	1
14	27802	VALVE,DIFFERENTIAL SENSING***.....	3	32	48647	VALVE,COUNTERBALANCE,3500 PSI.....	2
15	62244	VALVE,DIRECTIONAL,2POS.2WAY.1		33	32725	VALVE,CHECK (30797).....	1
16	32975	VALVE,FLOW REGULATOR,,1 GPM.....	1				
17	27807	VALVE,CHECK***.....	7				
18	48641	VALVE,PROPORTIONAL, 12V **..... <i>includes 1 each of index numbers 20 through 22</i>	1				
--	21935	COIL, 12V, 19972/21623/29069.....	1				
--	45914	O-RING, DO1 VALVE.....	1				
--	45921	RETAINER-N.C.PROPOR.SOLENOID.1					
19	27801	VALVE,PROPORTIONAL SOLENOID***..... <i>includes 2 each index numbers 20 and 21</i>	2				
20	45921	RETAINER-N.C.PROPOR.SOLENOID.3					
21	45914	O-RING, DO1 VALVE.....	3				
22	21935	COIL, 12V, 19972/21623/29069.....	3				

This Page Intentionally Left Blank

507.1 Turntable Rotator and Hydraulic Rotary Coupler Installation (to SN 2919)



507.1 Turntable Rotator and Hydraulic Rotary Coupler Installation (to SN 2919)

Item	Part No.	Description	Qty.	Item	Part No.	Description	Qty.
1	33557	SCREW,HHC,3/4-10 X 2.00,GR5.....	10	20	11637	PIN ASSY, RETAINER, SS I & II.....	1
2	34550	WASHER,LOCK,.75 PLTD.....	10	21	73836	PIN,ROTATION STOP..... <i>from SN 2617</i>	1
3	22541	SCREW,RHM,10-32 X 1.5.....	2	--	33471	PIN ASSEMBLY,TURNTABLE ROTAT..... <i>includes 1 each of index number 10 and index numbers 17, 18, 20; to SN 2616</i>	1
4	6146	WASHER,FLAT,MS,#10,Y.....	4	22	49520	FITTING,070302-4.....	1
5	6178	NUT,NYLOCK,10-32.....	2	23	48887	ELBOW,90D, 070202-4.....	1
6	34961	SWITCH,LIMIT,W/ROLLER ARM....	1	24	49189-2963	HOSE ASSEMBLY,1/4".....	1
--	19491	CONTACTOR,LIMIT SWITCH.....	1	25	49458-S	WLDMT.HYD.,SWIVEL MNT.,S60,S80.....	1
7	29382	CONN. SQZ,1/2NPT .38-.50,90DEG.....	1	26	6096	SCREW,HHC,1/2-13 X 2 GR5.....	2
8	53632P-S	BRKT,LIM SW,DRIVE ENBL,PAINTED..... <i>from SN 1459</i>	1	27	13066	WASHER,FLAT, 5 HARDENED.....	6
--	53632P-S	BRKT,LIM SW,DRIVE ENBL,PAINTED..... <i>to SN 1458</i>	1	28	6198	NUT,NYLOCK,1/2-13.....	2
9	6090	SCREW,HHC,1/4-20 X .75.....	3	29	20654	SCREW,SHC,5/8-11 X 3.50,A574.....	18
10	6356	WASHER,LOCK,.25.....	2	30	30895	BEARING,TURNTABLE.....	1
11	13918	SCREW,HHC,3/8-16 X 1.75,GRD.8.....	4	--	227785	BEARING TURNTABLE SEAL ***	
12	5397	WASHER,FLAT,USS,5/16",Y.....	4	31	65875	SCREW,FHS,1/2-13 X 1 (34363)....	5
13	4828	NUT,NYLOCK,3/8-16.....	4	32	6021	WASHER,LOCK,.375.....	3
14	48541	HYD.SWIV.,9PORT S60,Z60.....	1	33	73862P	FORMING,PINION GUARD,PAINTED.....	1
--	216248	THRUST RING***		34	10597	SCREW,HHC,1/2-13 X 1.25 GR5.....	1
--	216249	RETAINING RING***		35	6034	NUT,HEX,JAM,1/2-13.....	1
--	49528	SEAL KIT,SWIVEL (48541).....	1	36	34330	PLATE,BACKLASH ADJUSTMENT.....	1
--	T106954	SEAL, O-RING LIP		37	34347	SCREW,HHC,3/4-10 X 4.5.....	3
--	T106955	SEAL, POLY, CHAMFER		38	33278	WASHER,FLAT,.75 HARDENED....	6
--	T106956	SEAL, O-RING, SQUARE		39	10256	WASHER,FLAT,USS,3/4",Y.....	3
--	T106958	SEAL, CAP		40	6024	NUT,NYLOCK,5/8-11.....	4
--	T106959	SEAL, CROWN, 2 PART		41	34710	SCREW,SHS,5/8-11 X 3.....	1
--	T106960	SEAL, CAP		42	34766	RETAINER PLATE,PINION GEAR***.....	1
15	45495	SCREW,SHC,5/8-11 X 3.00,A574.....	30	43	34363	PINION GEAR(SET).....	1
16	13064	WASHER,FLAT,.625 HARDENED.....	48	44	32953	TORQUE HUB,55:1 (34114).....	1
17	6090	SCREW,HHC,1/4-20 X .75..... <i>from SN 2617</i>	1	--	33447	SEAL KIT,TORQUE HUB (32953).....	1
--	7339	SCREW,HHC,1/4-20 X .5..... <i>to SN 2616</i>	1	45	19794	GASKET,BRAKE ASSY.....	1
18	6638	WASHER,FLAT,USS,1/4"Y.....	1	46	73919	BRAKE,1200 INLB***..... <i>includes index numbers 45 and 47; to SN 2666</i>	1
19	73835	PLATE,PIN RETAINER..... <i>from SN 2617</i>	1				

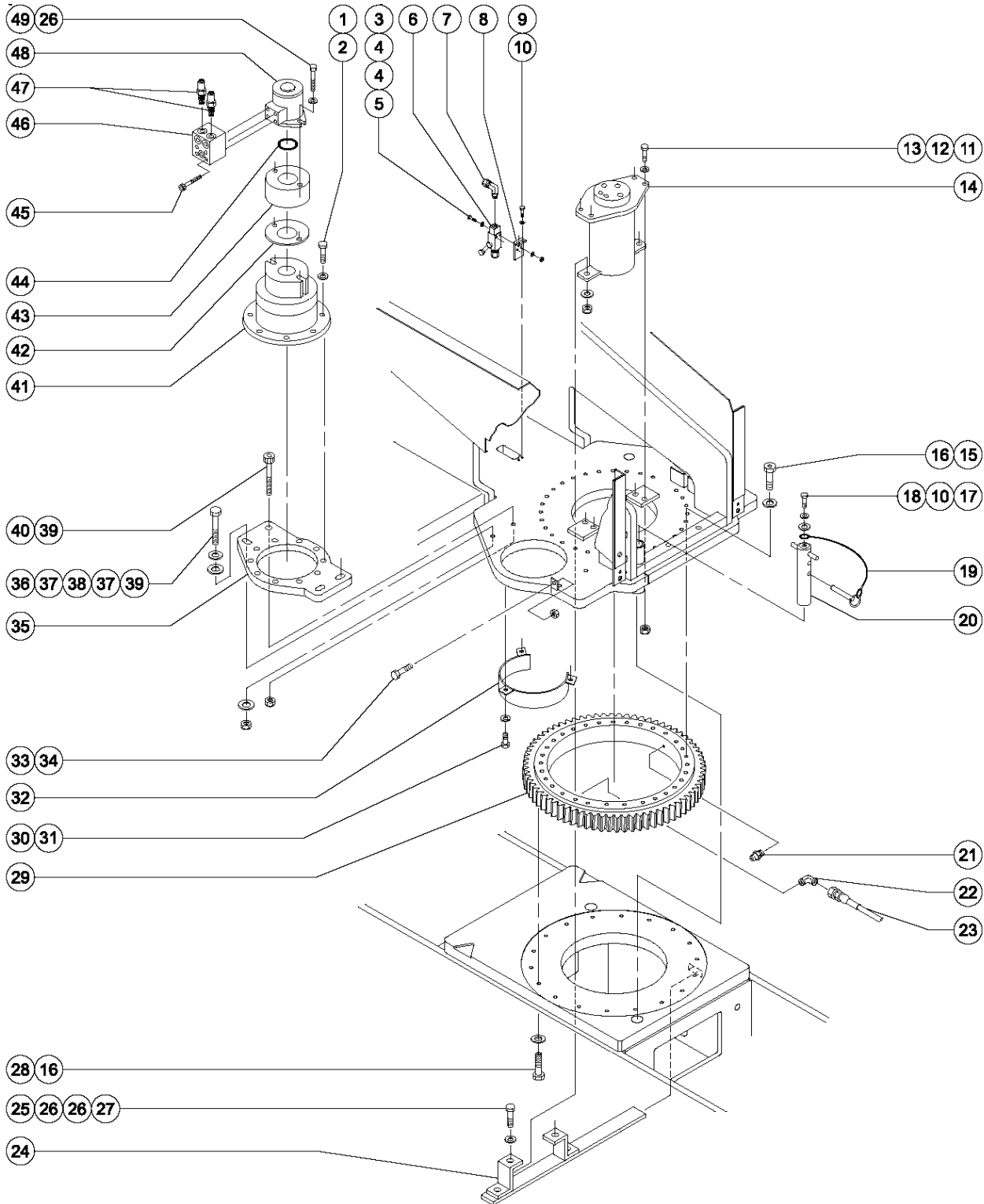
507.1 Turntable Rotator and Hydraulic Rotary Coupler Installation (to SN 2919)
(continued)

Item	Part No.	Description	Qty.
--	29291	SEAL KIT,MICO..... <i>to SN 2666</i>	1
--	29293	BEARING KIT,MICO..... <i>to SN 2666</i>	1
--	41918	LINING KIT,MICO BRAKE..... <i>to SN 2666</i>	1
--	65608	BEARING KIT, AUSCO***..... <i>from SN 2667</i>	1
--	73919	BRAKE,1200 INLB***..... <i>includes index numbers 45 and 47; from SN 2667</i>	1
--	75658	LINING KIT,AUSCO (73918)***..... <i>from SN 2667</i>	1
--	75659	SEAL KIT, AUSCO (73918)..... <i>from SN 2667</i>	1
47	22811	O-RING,MOTOR TO BRAKE***.....	1
48	37218	SCREW,HHC,5/16-18 X 3.00.....	4
49	53996	MANIFOLD,SWING CB & BRAKE... <i>includes index number 50</i>	1
--	31519	O-RING (2-114).....	1
50	65512	VALVE,COUNTERBALANCE.....	2
51	32952	MOTOR,TURNTABLE ROT.(34114)***.....	1
--	33445	SEAL KIT,DRIVE MOTOR (32952).....	1
--	53999	MOTOR,TURNTABLE ROTATE**..... <i>from SN 2667</i>	1
--	65616	SEAL KIT PWR WHL MOTOR..... <i>from SN 2667</i>	1
52	13854	SCREW,HHC,1/2-13 X 4.5,GRD.8...2	2

507.1 Turntable Rotator and Hydraulic Rotary Coupler Installation (to SN 2919)
(continued)

This Page Intentionally Left Blank

507.2 Turntable Rotator and Hydraulic Rotary Coupler Installation (from SN 2920)



507.2 Turntable Rotator and Hydraulic Rotary Coupler Installation (from SN 2920)

Item	Part No.	Description	Qty.	Item	Part No.	Description	Qty.
1	22788	SCREW,HHC,1/2-13 X 1.75.....	9	26	13066	WASHER,FLAT,5 HARDENED.....	6
2	6033	WASHER,LOCK,0.5".....	9	27	6198	NUT,NYLOCK,1/2-13.....	2
3	22541	SCREW,RHM,10-32 X 1.5.....	2	28	20654	SCREW,SHC,5/8-11 X 3.50,A574.....	18
4	6146	WASHER,FLAT,MS,#10,Y.....	4	29	30895	BEARING,TURNTABLE.....	1
5	6178	NUT,NYLOCK,10-32.....	2	--	227785	BEARING TURNTABLE SEAL***	
6	34961	SWITCH,LIMIT,W/ROLLER ARM....	1	30	65875	SCREW,FHS,1/2-13 X 1 (34363)....	5
--	19491	CONTACTOR,LIMIT SWITCH.....	1	31	6021	WASHER,LOCK,.375.....	3
7	29382	CONN. SQZ,1/2NPT .38-.50,90DEG.....	1	32	73862P	FORMING,PINION GUARD,PAINTED.....	1
8	53632P-S	BRKT,LIM SW,DRIVE ENBL,PAINTED.....	1	33	10597	SCREW,HHC,1/2-13 X 1.25 GR5....	1
9	6090	SCREW,HHC,1/4-20 X .75.....	3	34	6034	NUT,HEX,JAM,1/2-13.....	1
10	6356	WASHER,LOCK,.25.....	2	35	34762	BACKLASH ADJMNT PLATE S60....	1
11	13918	SCREW,HHC,3/8-16 X 1.75,GRD.8.....	4	36	34347	SCREW,HHC,3/4-10 X 4.5.....	3
12	5397	WASHER,FLAT,USS,5/16",Y.....	4	37	33278	WASHER,FLAT,.75 HARDENED....	6
13	4828	NUT,NYLOCK,3/8-16.....	4	38	10256	WASHER,FLAT,USS,3/4",Y.....	3
14	48541	HYD.SWIV.,9PORT S60,Z60.....	1	39	6024	NUT,NYLOCK,5/8-11.....	4
--	216248	THRUST RING***		40	34710	SCREW,SHS,5/8-11 X 3.....	1
--	216249	RETAINING RING***		41A	139189	SWING DRIVE ASSEMBLY <i>complete, swing drive 139189 can be installed as a direct replacment of previous swing drive 88921 or 81367</i>	
--	49528	SEAL KIT,SWIVEL (48541).....	1	--	139310	BRAKE TUBING <i>use with swing drive 139189</i>	
15	45495	SCREW,SHC,5/8-11 X 3.00,A574.....	30	--	139311	KIT,FRICITION DISC*** <i>use with swing drive 139189</i>	
16	13064	WASHER,FLAT,.625 HARDENED.....	48	--	139312	KIT,BRAKE SPRING*** <i>use with swing drive 139189</i>	
17	6090	SCREW,HHC,1/4-20 X .75.....	1	--	139313	SEAL KIT,SWING BRAKE*** <i>use with swing drive 139189</i>	
--	T106954	SEAL, O-RING LIP		--	139314	KIT,SWING BRAKE REBUILD*** <i>use with swing drive 139189</i>	
--	T106955	SEAL, POLY, CHAMFER		--	58304	SHAFT,OUTPUT <i>use with swing drive 139189 or 88921</i>	
--	T106956	SEAL, O-RING, SQUARE		--	83124	DRAIN PLUG <i>use with swing drive 139189</i>	
--	T106958	SEAL, CAP		--	21148	WASHER,THRUST,TORQUE HUB <i>use with swing drive 139189, 88921 or 81367</i>	
--	T106959	SEAL, CROWN, 2 PART		--	29290	SEAL KIT,FAIRFIELD (S1A2)*** <i>does not include thrust washer part 21148, use with swing drive 139189, 88921 or 81367</i>	
--	T106960	SEAL, CAP		--	58596	BEARING KIT (88921) <i>use with swing drive 88921</i>	
18	73835	PLATE,PIN RETAINER.....	1				
19	11637	PIN ASSY, RETAINER, SS I & II....	1				
20	73836	PIN,ROTATION STOP.....	1				
21	49520	FITTING,070302-4.....	1				
22	48887	ELBOW,90D, 070202-4.....	1				
23	49189-2963	HOSE ASSEMBLY,1/4".....	1				
24	49458-S	WLDMT.HYD.,SWIVEL MNT.,S60,S80.....	1				
25	6096	SCREW,HHC,1/2-13 X 2 GR5.....	2				

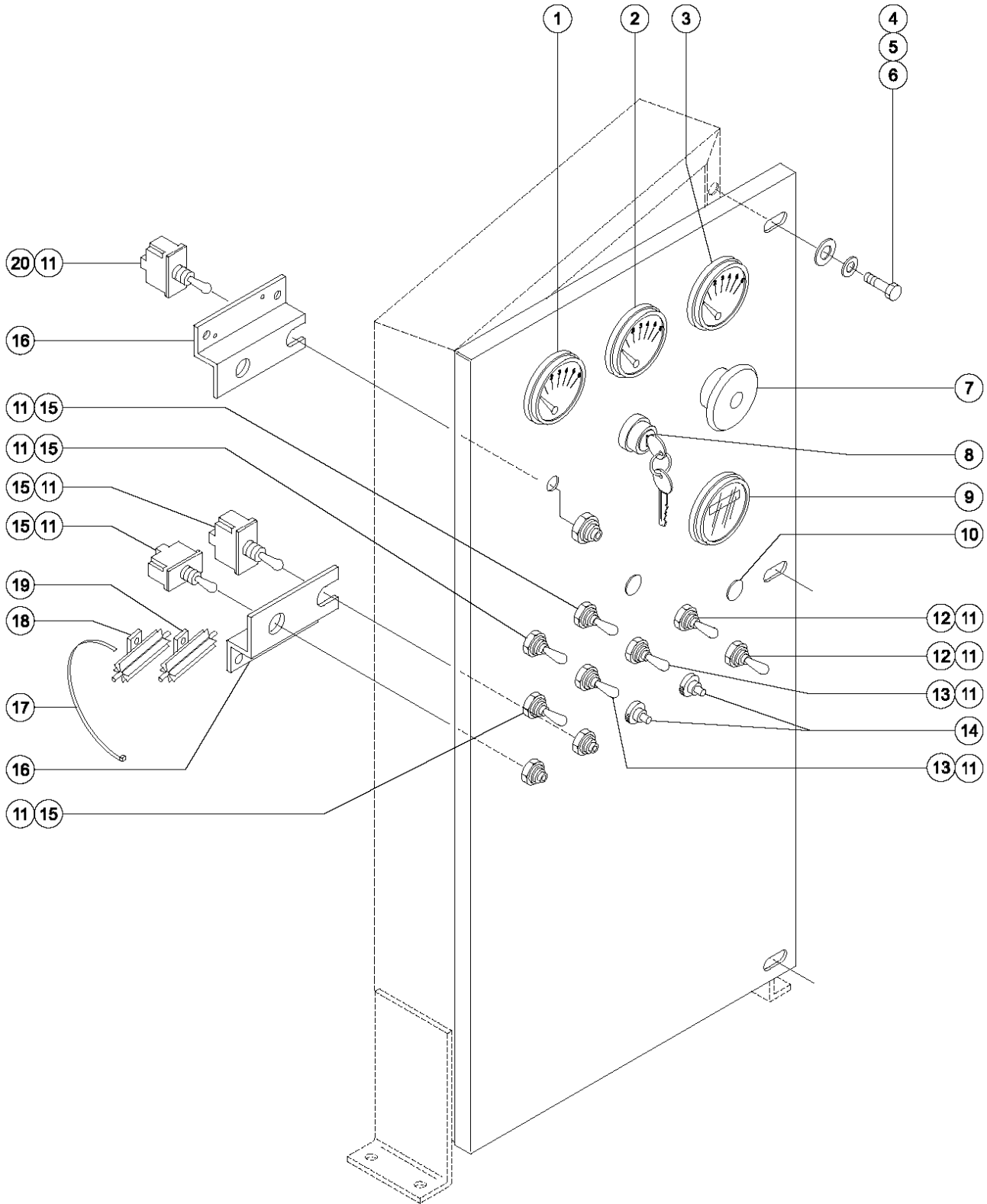
507.2 Turntable Rotator and Hydraulic Rotary Coupler Installation (from SN 2920)
(continued)

Item	Part No.	Description	Qty.	Item	Part No.	Description	Qty.
--	58597	BEARING KIT (88921) <i>use with swing drive 88921</i>		--	65616	SEAL KIT PWR WHL MOTOR <i>use with swing motor 94621 or 53999</i>	
42	19794	GASKET,BRAKE ASSY.....1 <i>use with swing drive 88921 or 81367</i>	1	--	94621	SWING MOTOR,COMPLETE*** <i>use with swing drive 88921</i>	
43	81331	BRAKE,900 IN*LB.....1 <i>use with swing drive 81367</i>	1	49	13854	SCREW,HHC,1/2-13 X 4.5,GRD.8...2	
43	94622	BRAKE PORT HARDLINE <i>use with swing drive 88921</i>					
--	65618	SEAL KIT,BRAKE*** <i>use with swing drive 81367</i>					
--	65619	HARDLINE, BRAKE PORT <i>use with swing drive 81367</i>					
--	94623	KIT,FRICITION DISC <i>use with swing drive 88921</i>					
--	94624	KIT,BRAKE SPRING <i>use with swing drive 88921</i>					
--	94625	SEAL KIT,SWING BRAKE <i>use with swing drive 88921</i>					
--	94626	KIT,SWING BRAKE REBUILD <i>use with swing drive 88921</i>					
44	139315	O-RING,MOTOR/BRAKE*** <i>use with swing drive 139189</i>					
--	22811	O-RING,MOTOR TO BRAKE***1 <i>use with swing drive 81367</i>	1				
--	58387	O-RING,MOTOR/BRAKE (88921)*** <i>use with swing drive 88921</i>					
45	41489	SCREW,SHC,5/16-18 X 2,PLATED.....4 <i>manifold to motor</i>	4				
--	6886	WASHER,LOCK,,313 <i>manifold to motor</i>					
46	139309	CBV ASSEMBLY <i>use with swing drive 139189</i>					
--	139323	VALVE,COUNTERBAL,CBCA-LIN*** <i>use with swing drive 139189</i>					
--	31519	O-RING (2-114) <i>use with swing drive 88921 or 81367</i>					
--	45483	VALVE,SHUTTLE*** <i>use with swing drive 88921 or 81367</i>					
--	81366	MANIFOLD,SWING CB & BRAKE...1 <i>use with swing drive 88921 or 81367</i>	1				
47	83009	VALVE,COUNTERBALANCE(81366)***.2 <i>use with swing drive 88921 or 81367</i>	2				
48	139308	SWING MOTOR COMPLETE*** <i>use with swing drive 139189</i>					
--	53999	MOTOR,TURNTABLE ROTATE**.....1 <i>use with swing drive 81367</i>	1				

507.2 Turntable Rotator and Hydraulic Rotary Coupler Installation (from SN 2920)
(continued)

This Page Intentionally Left Blank

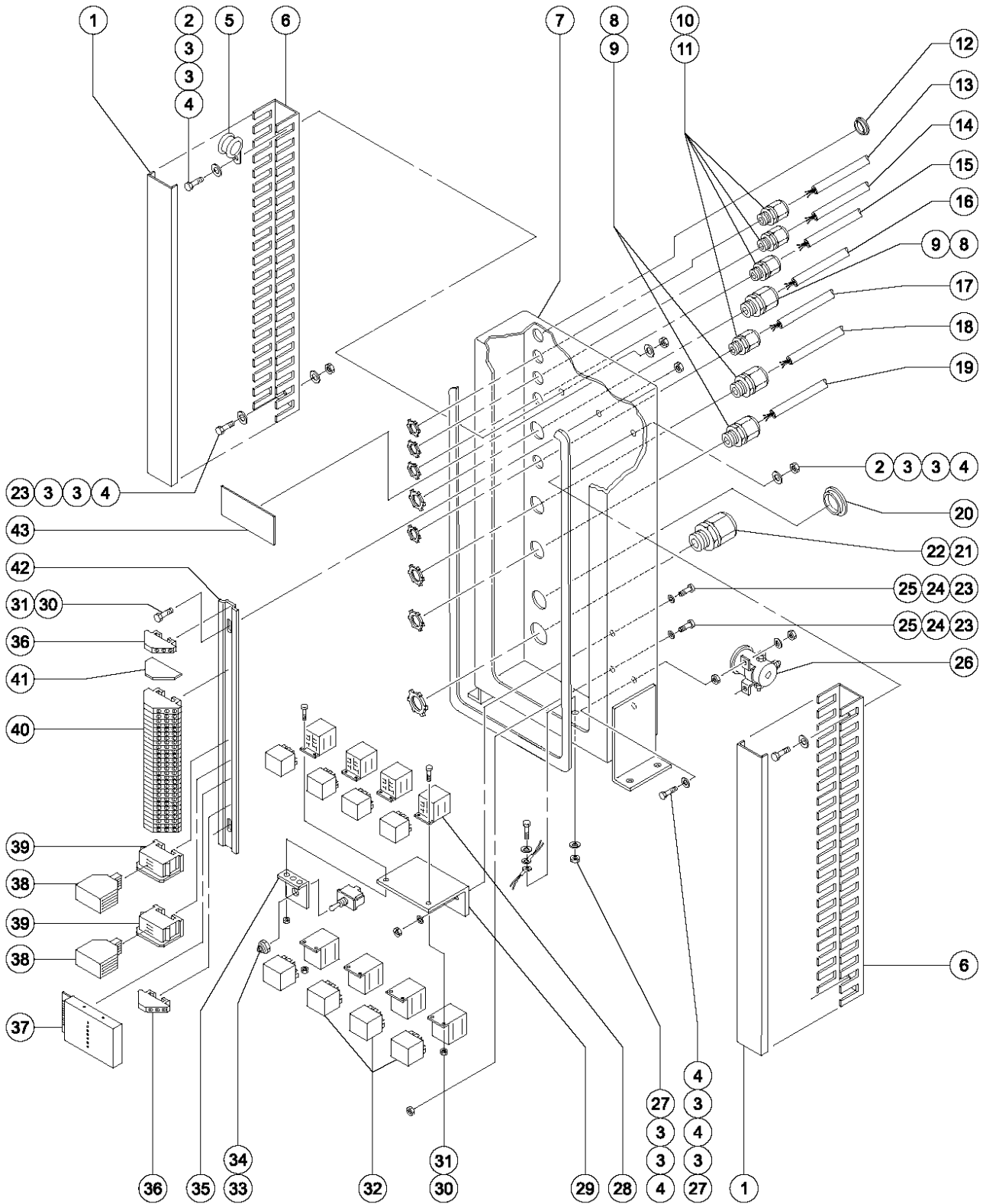
508.1 Ground Controls - View 1



508.1 Ground Controls - View 1

Item	Part No.	Description	Qty.	Item	Part No.	Description	Qty.
1	53759-S	GAUGE,WATER TEMP.....1 <i>includes mounting bracket and fasteners; Gasoline/LPG Models</i>	1	--	128200	SWITCH TOGGLE ASSY SPDT 3P MOM.....1 <i>Diesel models</i>	1
--	53760-S	GAUGE,OIL TEMP.....1 <i>includes mounting bracket fasteners; Diesel Models</i>	1	--	824879	LIGHT,LED IND. RED 12V NH.....1 <i>Gasoline/LPG Models, (Complete LED light assembly)</i>	1
2	53758-S	GAUGE,OIL PRESSURE W/O SENDER.....1 <i>includes mounting bracket and fasteners</i>	1	11	27246	BOOT,TOGGLE SWITCH,SHORT*.....9 1	9
3	53761-S	GAUGE,VOLTAGE.....1 <i>includes mounting bracket and fasteners</i>	1	12	128200	SWITCH TOGGLE ASSY SPDT 3P MOM.....3 1 <i>includes mounting fasteners</i>	3
4	6090	SCREW,HHC,1/4-20 X .75.....3	3	13	128204	SWITCH TOGGLE ASSY SPDT 2P MNT.....2 <i>includes mounting fasteners; Gasoline/LPG Models</i>	2
5	6356	WASHER,LOCK,.25.....3	3	--	229567	PLUG, SANTOPRENE .5 BLACK DOME.....2 <i>Diesel Models</i>	2
6	6638	WASHER,FLAT,USS,1/4"Y.....3	3	14	147094	ASSY, CIRCUIT BREAKER 15A.....2 <i>includes mounting fasteners</i>	2
7	122514	KIT,ESTOP SVC BB&SM BOOM....1	1	15	128202	SWITCH TOGGLE ASSY DPDT 3P MOM.....5 <i>includes mounting fasteners</i>	5
--	146478	BOOT(BELLOWS),E-STOP,BLACK		16	53820	BRACKET, PANEL WIRE MOUNTING.....2	2
--	66812	BUTTON,PUSH,RED MUSHROOM HEAD.....1	1	17	21121	CABLE TIE,4" BLK,HEAT RESISTNT.....2	2
--	66818	CONTACT,NC.....1 <i>includes 2 each N.C. contacts</i>	1	18	27287	RESISTOR,10 OHM,25 WATT.....1	1
--	66821	BASE,WITHOUT CONTACTS.....1	1	19	46678	RESISTOR,14 OHM,25 WATT.....1	1
8	122512	KIT,KEYSWITCH SVC BB & SM BOOM.....1 <i>(ANSI, CSA and Australia models), includes parts 66811, 66821, 66816and 122366KEYSWITCH,CONTACTS LOCK</i>	1	20	128201	SWITCH TOGGLE ASSY DPDT 2P MOM.....1 <i>includes mounting fasteners</i>	1
--	122366	KEYSWITCH,CONTACTS LOCK....1	1	--	13471	COVER, AUXILIARY POWER SWITCH.....1 <i>to SN 2286</i>	1
--	122606	KIT,KEYSWITCH SVC BB&SM CE.....1 <i>(CE models)</i>	1	Footnotes			
--	66811	KEYSWITCH,3POS.MNTND.DR WKEY**.....1 <i>includes keyswitch and two keys, not included: base or contacts.</i>	1	1: Quantity listed may not reflect specific model configuration requirements.			
--	66816	CONTACT,N.O.....1	1				
--	66821	BASE,WITHOUT CONTACTS.....1	1				
9	19506	HOUR METER,10-80 VOLTS***.....1 <i>includes mounting bracket</i>	1				
10	229567	PLUG, SANTOPRENE .5 BLACK DOME.....2 1	2				
--	1	1				

509.1 Ground Controls - View 2



509.1 Ground Controls - View 2

Item	Part No.	Description	Qty.	Item	Part No.	Description	Qty.
--	33996	SCREWDRIVER,TERMINAL BLOCK		26	53967	SOLENOID,12V CONTINOUS.....1	
1	1262218	COVER, DUCT, WIRING.....2 <i>replaced 28299</i>		27	6090	SCREW,HHC,1/4-20 X .75.....3	
2	6888	SCREW,HHC,1/4-20 X 1.....2		28	34053	ASSY,RELAY SOCKET, AUTO.....6 <i>Gasoline/LPG Models</i>	
3	6638	WASHER,FLAT,USS,1/4"Y.....19		--	34053	ASSY,RELAY SOCKET, AUTO.....6 <i>Diesel Models</i>	
4	6091	NUT,NYLOCK,1/4-20.....11		--	34054	TERM,RELAY N-INSULATED 10-12 G.....6	
5	13268	CLAMP,0.75,#12 X 1/4,RUB CUSH.....1		--	34055	TERM RELAY,N-INSULATE 14-16 GA.....6	
6	28298	WIRING DUCT, 1.5 X 1.5.....2		--	34056	TERM,RELAY,N-INSULATE 18-20 GA.....6	
7	35811	CONTROL BOX W/LID&DECAL,GRND.....1		29	34057	ANGLE,RELAY MOUNTING.....1	
--	121599	GASKET,GBOX,S80/85 2008.....1		30	6178	NUT,NYLOCK,10-32.....6 1	
8	12960	CABLE SQUEEZE CONN.,XTRA LRG.....3		31	54365	SCREW,PHIL,PHM,10-32 X .5,SSTL.....6 1	
9	14041	LOCKNUT,ELECTRIC,3/4".....3		32	34052	RELAY,SPDT,12V(AUTO) PLUG IN**6 <i>Gasoline/LPG Models</i>	
10	7056	CONN,SQUEEZE,1/2NPT .38-.50,SM.....4		--	34052	RELAY,SPDT,12V(AUTO) PLUG IN**7 <i>Diesel Models</i>	
11	6935	LOCKNUT,ELEC,1/2".....4		33	27246	BOOT,TOGGLE SWITCH,SHORT*.....1 <i>Gasoline/LPG Models</i>	
12	15243	PLUG,NYLON .875 BLACK DOMED.....1		34	128201	SWITCH TOGGLE ASSY DPDT 2P MOM.....1 <i>Gasoline/LPG Models</i>	
13	43960	WIRE CABLE,16/4 CON.TPE JKT.....240-inches		35	49743	BRACKET,TOGGLE SWITCH.....1 <i>Gasoline/LPG Models</i>	
14	43960	WIRE CABLE,16/4 CON.TPE JKT.....226-inches		36	25974	PLASTIC END STOP.....2	
15	43960	WIRE CABLE,16/4 CON.TPE JKT.....120-inches		37	56057	MODULE,IGNITION/START,12/24V.1 <i>from SN 2600</i>	
16	48533	WIRE CABLE,18GA/19 CON.BNDREX.....1224-inches S-80		--	56057	MODULE,IGNITION/START,12/24V.1 <i>to SN 2599</i>	
17	43955	WIRE CABLE,12GA/3 CON.TPE JKT*.....1224-inches S-85		38	25807	DIODE BLOCK SUPPRESSION....2	
18	48533	WIRE CABLE,18GA/19 CON.BNDREX.....1224-inches S-85		39	25808	CARRIER TERMINAL(5 PER BLOCK).....2	
19	35934	WIRE CABLE,18/19 CON.TPRJKT.....60-inches		40	32637	TERMINAL BLOCK,WAGO.....44	
20	45385	PLUG,NYLON 1.12 BLACK DOMED.....1		40	32638	TERMINAL BLOCK,WAGO.....2	
21	20776	CABLE SQUEEZE CONN.....1		--	32638	TERMINAL BLOCK,WAGO.....2	
22	18665	LOCKNUT,ELECTRIC,1" NPT.....1		41	25837	TERMINAL STRIP END PLATE.....1	
23	8914	SCREW,HHC,1/4-20 X .625.....4					
24	6356	WASHER,LOCK,.25.....2					
25	23404	NUTSERT,1/4-20,STEEL CAD PLTD.....2					

509.1 Ground Controls - View 2
(continued)

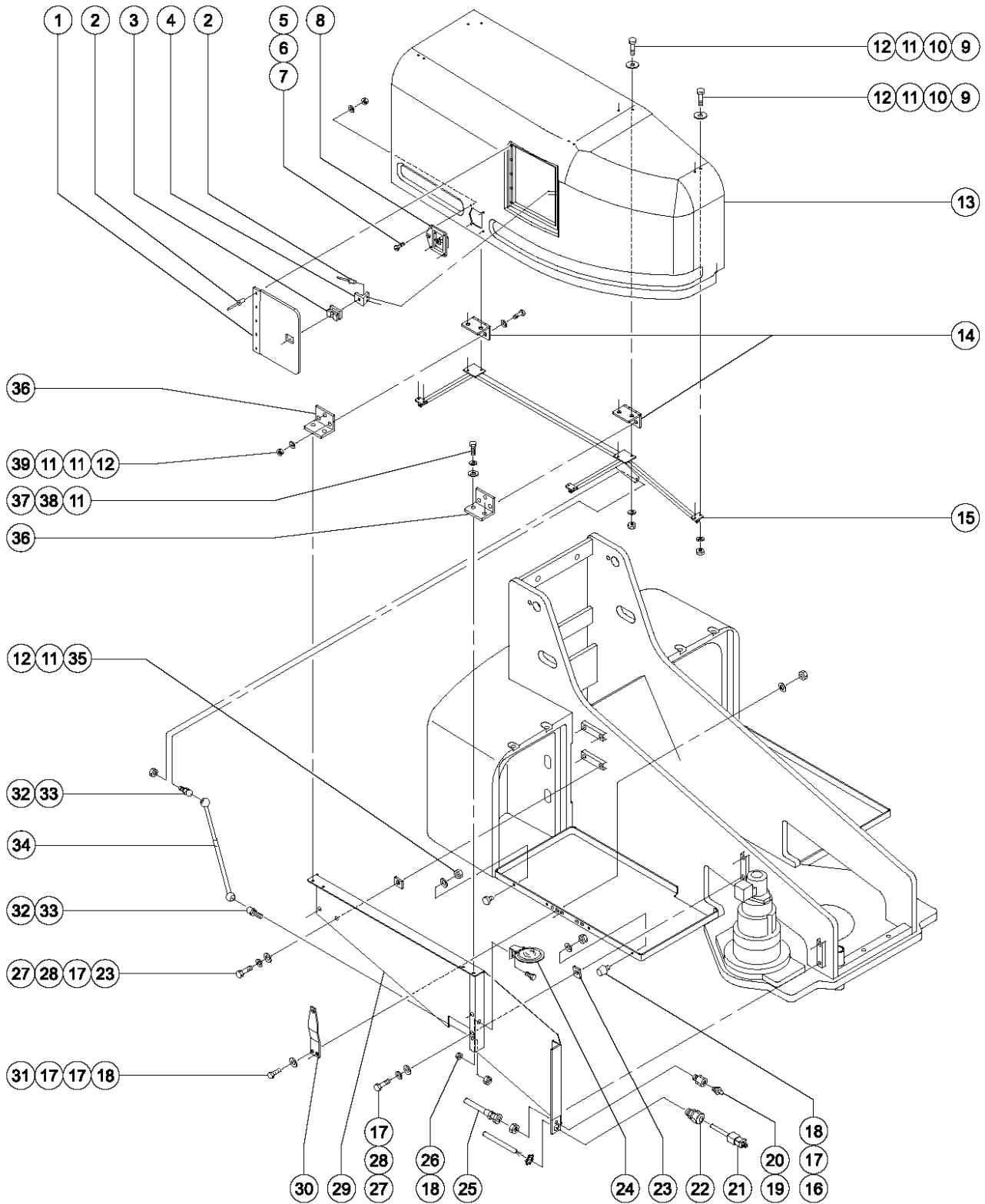
Item	Part No.	Description	Qty.
42	28310	DIN RAIL,23.75".....	1
43	30997	CORROSION INHIBITOR,FOAM.....	1

Footnotes

1: Quantity listed may not reflect specific model configuration requirements.

This Page Intentionally Left Blank

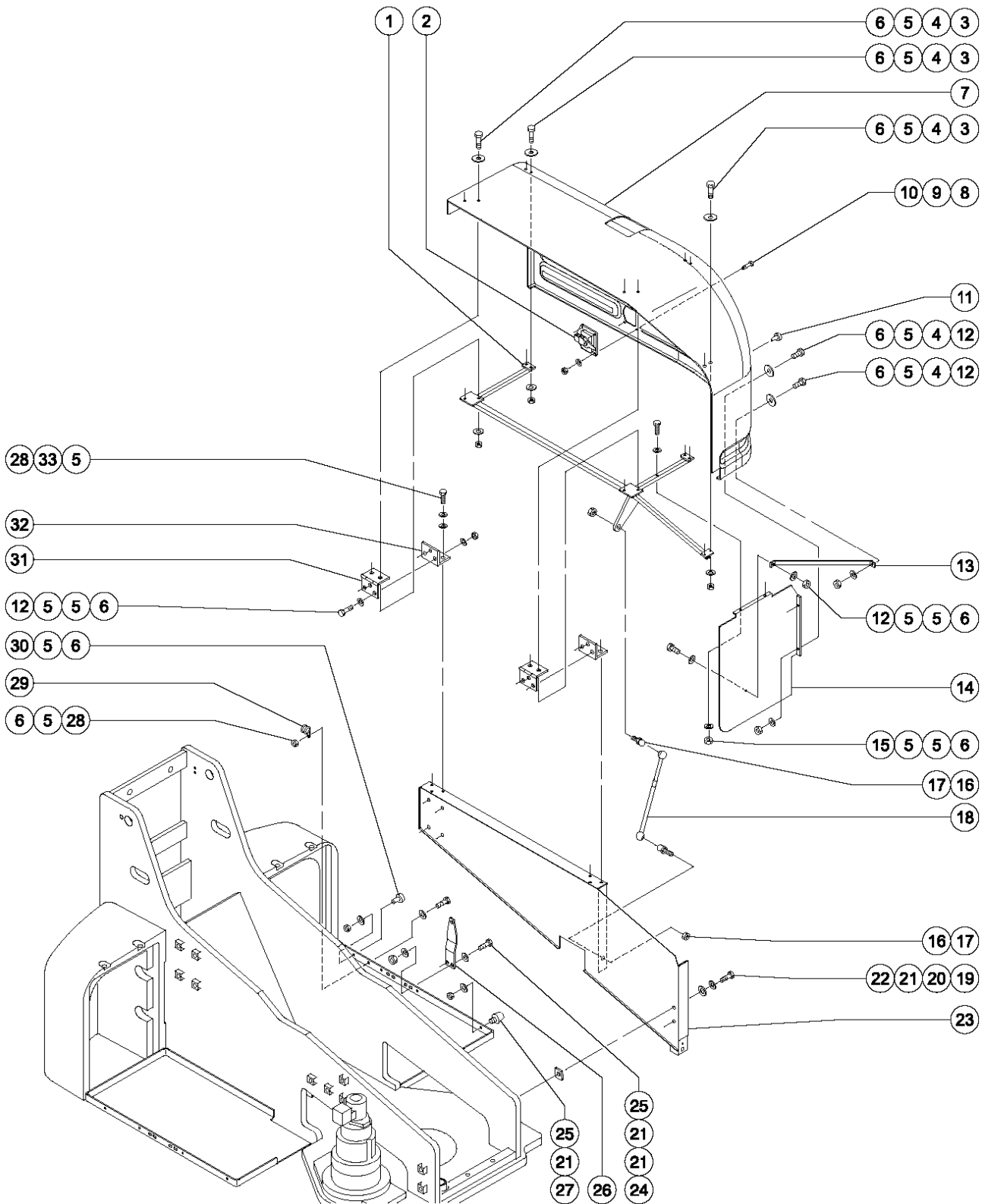
510.1 Turntable Covers - View 1



510.1 Turntable Covers - View 1

Item	Part No.	Description	Qty.	Item	Part No.	Description	Qty.
1	52651	COVER-HINGED, GRND CNTRL....1 <i>includes five each of index number 2 and index number 3</i>	1	25		Ref. Hydraulic Hoses and Fittings (refer to Figures 513.1 or 513.2).....1	1
2	7265	RIVET,STEEL,P, .25 X .375.....7	7	26	10107	SCREW,HHC,5/16-18 X .75.....1	1
3	30468	LATCH,SLIDE, FLUSH MOUNT STYLE.....1 <i>includes mounting fasteners</i>	1	27	6019	SCREW,HHC,3/8-16 X 1.25 GRD 5.....6	6
4	49534	DOOR LATCH,BASE CONTROL BOX.....1	1	28	6021	WASHER,LOCK, .375.....8	8
5	6178	NUT,NYLOCK,10-32.....4	4	29	30743-S	COVER SUPPORT WELDMENT LH.....1	1
6	6146	WASHER,FLAT,MS,#10,Y.....4	4	30	49535P-S	PLATE,LATCH,BLUE,PAINTED.....1	1
7	49816	SCREW,PHILLIPS,PHM,10-32 X .75.....4	4	31	13002	SCREW,HHC,5/16-18 X 1 GR5.....2	2
8	53903	LATCH,T-HANDLE,5 SIDED W/KEYS*.....1	1	32	33555	BALL STUD**.....2	2
--	29314	KEY,LATCH, 1 PAIR (28125).....1	1	33	6002	NUT,LP NYLOCK,5/16-18.....2	2
9	8915	SCREW,HHC,1/4-20 X 1.25.....10	10	34	28301	GAS STRUT,250 LBS FORCE***.....1	1
10	12906	WASHER,FENDER, .25 X 1.25 X.062.....10	10	--	27377	RETAINER,GAS SPRING***.....1	1
11	6638	WASHER,FLAT,USS,1/4"Y.....31	31	35	36388	BUMPER,RUBBER, .75 X .50H,STUD.....1	1
12	6091	NUT,NYLOCK,1/4-20.....17	17	36	75073	HINGE, .375X.120THK.,SLOTTED...2	2
13	65477	COVER ASSY W/DECALS,L.H. BB.....1 <i>includes index numbers 1 through 8</i>	1	37	6090	SCREW,HHC,1/4-20 X .75.....4	4
14	35949P-S	BRACKET,COVER HINGE,BLUE....2	2	38	6356	WASHER,LOCK, .25.....4	4
15	49532-S	COVER,SUPPORT WELDMENT,LH.....1	1	39	6888	SCREW,HHC,1/4-20 X 1.....6	6
16	30973	BUMPER,RUBBER-1 X 1.25.....1	1				
17	5397	WASHER,FLAT,USS,5/16",Y.....13	13				
18	6782	NUT,NYLOCK,5/16-18.....4	4				
19	28646	ZERK,GREASE,1/8 NPT.....1	1				
20	30430	BULKHEAD,FEMALE X 4.....1	1				
21	6595	PLUG,ELECTRICAL,DOMESTIC....1	1				
--		FUSE,13 AMP,220V PLUG.....1 <i>(component no longer available) refer to BS1362 BUSS TDC180-13A</i>	1				
--	144161	PLUG,PWR,UK,16AMP,3PIN,BLK...1	1				
--	25388	PLUG,FUSED,250V,13AMP,U.K.**...1	1				
--	6666	PLUG,ELECTRICAL,220/50,NOVON.1	1				
22	7056	CONN,SQUEEZE,1/2NPT .38-.50,SM.....1	1				
23	29868	SPRING CLIP,3/8-16.....8	8				
24	81578	HORN,12VDC,SPADE TERMINALS***.....1	1				

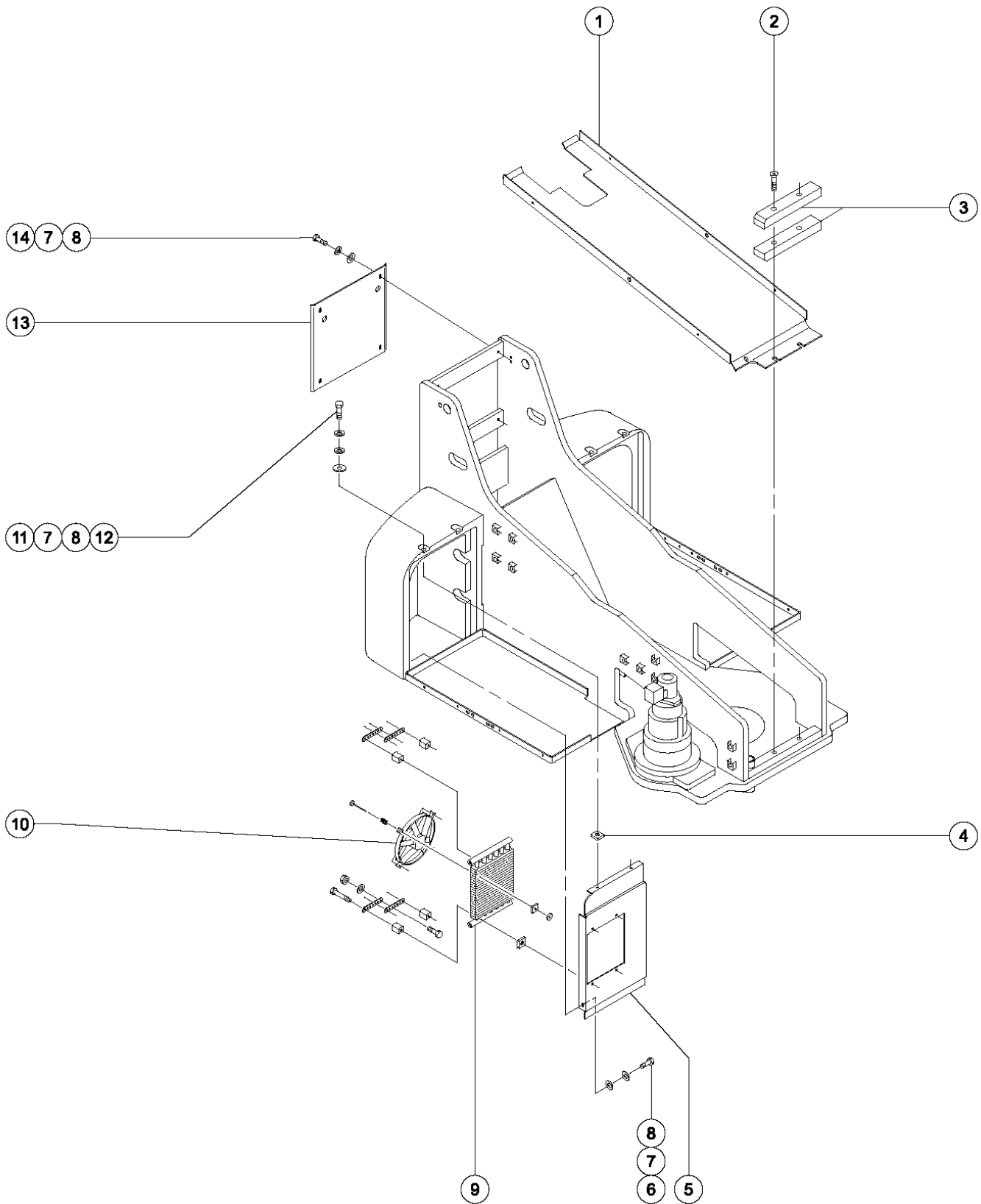
511.1 Turntable Covers - View 2



511.1 Turntable Covers - View 2

Item	Part No.	Description	Qty.	Item	Part No.	Description	Qty.
1	53882	WELDMENT,TT COVER SUPPORT,RH.....	1	22	29868	SPRING CLIP,3/8-16.....	8
2	53903	LATCH,T-HANDLE,5 SIDED W/KEYS*.....	2	23	30744-S	COVER SUPPORT WELDMENT RH.....	1
--	29314	KEY,LATCH, 1 PAIR (28125).....	2	24	13002	SCREW,HHC,5/16-18 X 1 GR5.....	2
3	8915	SCREW,HHC,1/4-20 X 1.25.....	10	25	6782	NUT,NYLOCK,5/16-18.....	3
4	12906	WASHER,FENDER,.25 X 1.25 X.062.....	10	26	49535P-S	PLATE,LATCH,BLUE,PAINTED.....	1
		1		27	30973	BUMPER,RUBBER-1 X 1.25.....	1
5	6638	WASHER,FLAT,USS,1/4"Y.....	42	28	6090	SCREW,HHC,1/4-20 X .75.....	1
		1		29	21618	CLAMP,1.13,#18 X 1/4,RUB CUSH.....	1
6	6091	NUT,NYLOCK,1/4-20.....	21	30	36388	BUMPER,RUBBER,.75 X .50H,STUD.....	1
		1		31	75073	HINGE,.375X.120THK.,SLOTTED...2	
7	65478	COVER ASSY W/DECAL,WRD,RH BB.....	1	32	35949P-S	BRACKET,COVER HINGE,BLUE.....2	
		<i>Gasoline/LPG models; includes index numbers 2 and 8 through 10</i>		33	6356	WASHER,LOCK,.25.....	4
--	65478	COVER ASSY W/DECAL,WRD,RH BB.....	1	Footnotes			
		<i>Diesel models; includes index numbers 2 and 8 through 11</i>		1: Quantity listed may not reflect specific model configuration requirements.			
8	49816	SCREW,PHILLIPS,PHM,10-32 X .75.....	4				
9	6146	WASHER,FLAT,MS,#10,Y.....	4				
10	6178	NUT,NYLOCK,10-32.....	4				
11	81197	PLUG,ENGINE COVER.....	3				
		<i>Diesel models only</i>					
12	6888	SCREW,HHC,1/4-20 X 1.....	9				
		1					
13	30894P-S	SHROUD SUPPORT,PAINTED GRAY.....	1				
		<i>Gasoline/LPG models</i>					
14	49537P-S	SHROUD,LP TANK,PAINTED.....	1				
		<i>Gasoline/LPG models</i>					
15	4266	SCREW,HHC,1/4-20 X 2.....	2				
16	33555	BALL STUD**.....	2				
17	6002	NUT,LP NYLOCK,5/16-18.....	2				
18	28301	GAS STRUT,250 LBS FORCE***.....	1				
--	27377	RETAINER,GAS SPRING***.....	1				
19	6019	SCREW,HHC,3/8-16 X 1.25 GRD 5.....	6				
20	6021	WASHER,LOCK,.375.....	8				
21	5397	WASHER,FLAT,USS,5/16",Y.....	14				

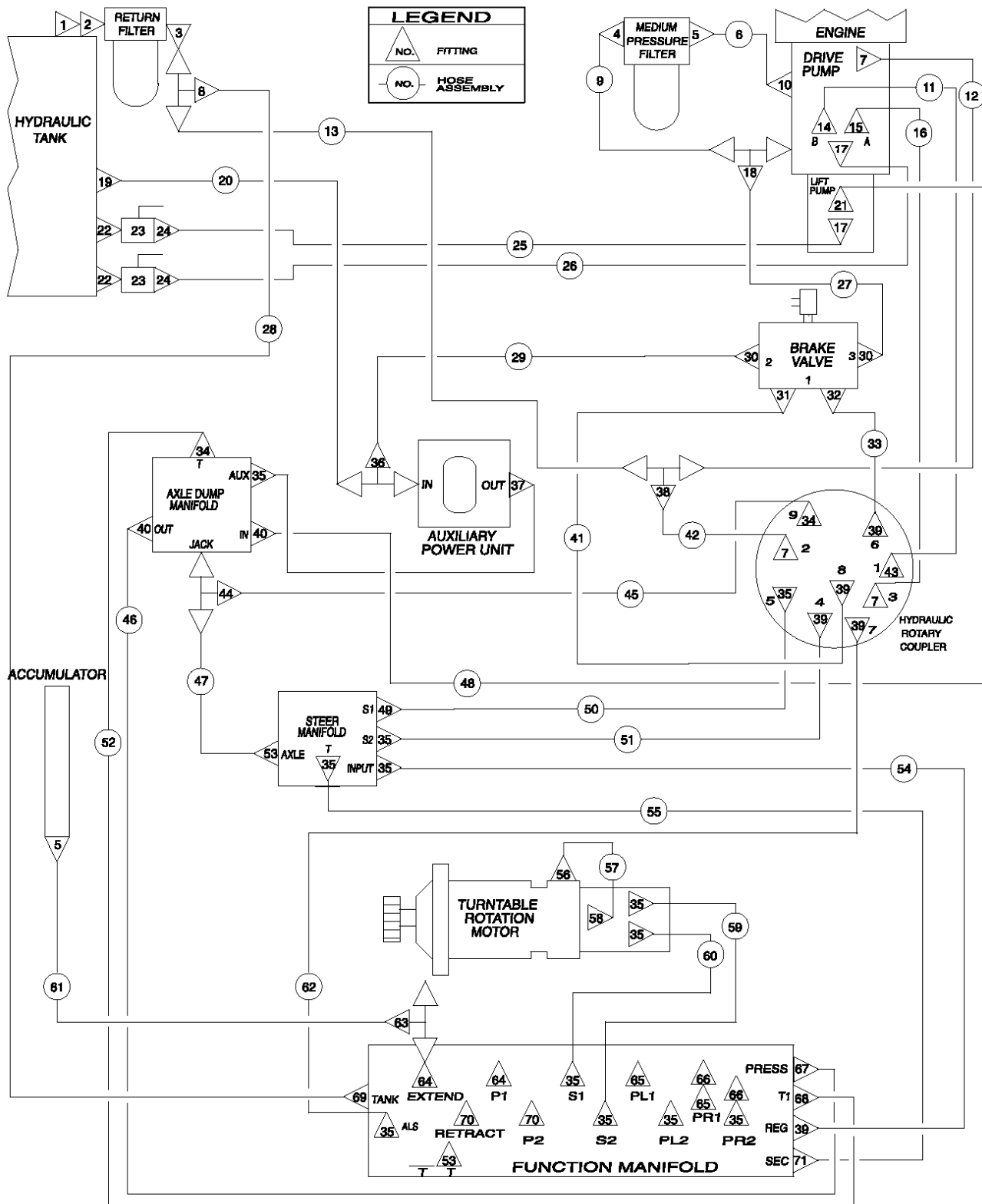
512.1 Turntable Covers and Hydraulic Oil Cooler Option - View 3



512.1 Turntable Covers and Hydraulic Oil Cooler Option - View 3

Item	Part No.	Description	Qty.
--	34980-S	OIL COOLER KIT,S60,S80 PARKER <i>includes index numbers 4 through 10; models with Parker hoses</i>	
--	46990	OIL COOLER(SYNFLEX)S40,60,80 <i>includes index numbers 4 through 10; models with Synflex hoses</i>	
1	44286P	PLATE, SWING COVER S60/S80....1	
2	35714	SCREW,FHS,3/8-16 X 2.25.....2	
3	41549	PAD,BOOM REST.....2	
4	29868	SPRING CLIP,3/8-16.....4	
5	49611-S	BAFFLE,TANK SIDE,PAINTED.....1	
6	6175	SCREW,HHC,3/8-16 X 1.....4	
7	6021	WASHER,LOCK, .375.....10	
8	5397	WASHER,FLAT,USS,5/16",Y.....10	
9	22349	COOLER-HYDRAULIC OIL.....1 <i>includes mounting hardware</i>	
--	35600	THERMOSTAT,110 DEG.F N/O	
10	63118	FAN,OIL COOLER***1	
11	6708	SCREW,HHC,3/8-16 X 2.25.....2	
12	6095	WASHER,FLAT,USS,1/2",Y.....2	
13	65613	COVER-TURNTABLE W/DECALS S80.....1	
13	65614	COVER-TURNTABLE W/DECALS S85.....1	
14	8255	SCREW,HHC,3/8-16 X .75.....4	

513.1 Hydraulic Hoses and Fittings (to SN 2919)



513.1 Hydraulic Hoses and Fittings (to SN 2919)

Item	Part No.	Description	Qty.	Item	Part No.	Description	Qty.
--	49612	O-RING KIT (ORFS FITTINGS)		26	49159-5168	HOSE ASSEMBLY,1".....	1
--	49613	PLUG AND CAP KIT-SERVICE,ORFS*				7	
1	49512	ELBOW,90DEG,FEM,1"NPT.....	1	27	49145-1778	HOSE ASSEMBLY,1/2".....	1
2	49513	ADAPTER,PIPE NIPPLE.....	1			8	
3	49515	ELBOW,90D,520202-12-16.....	1	28	49150-1405	HOSE ASSY,3/4,90 FEM,STR FEM.....	1
4	48948	CONN,520120-8-12.....	1			9	
5	48947	ELBOW,90D,520220-8-12.....	2	29	49129-5325	HOSE ASSEMBLY,3/8".....	1
6	49136-3272	HOSE ASSEMBLY,1/2".....	1			10	
		1		30	48926	FITTING,ELBOW,90D,520220-6-4...	2
7	48960	FITTING,CONN,520120-12.....	3	31	48927	CONN,520120-6-4.....	1
8	48964	FITTING,TEE,RUN,SWIVEL52043212.1		32	48928	ELBOW,45D,520320-6-4.....	1
9	49143-3579	HOSE ASSY,1/2,90 FEM,STR FEM.....	1	33	49130-2957	HOSE ASSEMBLY,3/8.....	1
		2				11	
10	48946	CONN,520120-8-10.....	1	34	48911	ELBOW,90D,520220-4-6***.....	2
11	49156-4581	HOSE ASSY,3/4,90 FEM,STR FEM.....	1	35	48916	FITTING,CONN,520120-6.....	10
		3		36	48935	TEE,RUN,520428-8.....	1
12	49148-3269	HOSE ASSEMBLY,3/4".....	1	37	48942	ELBOW,90D,520220-8-6.....	1
		4		38	48969	TEE,BULKHEAD,RUN,520958-12....	1
13	49151-5748	HOSE ASSY,3/4,STR FEM,STR FEM.....	1	39	48915	ELBOW,90D,520220-6.....	5
		5		40	48958	CONN,520120-10-12.....	1
14	48977	CONN,520120-12-16.....	1	41	49130-3057	HOSE ASSEMBLY,3/8".....	1
15	48976	ELBOW,90D,520220-12-16.....	1			11	
16	49156-4381	HOSE ASSY,3/4,90 FEM,STR FEM.....	1	42	49150-1805	HOSE ASSY,3/4,90 FEM,STR FEM.....	1
		5				11	
17	48984	CONN,520120-16.....	2	43	48959	FITTING,ELBOW,90D,520220-12....	1
18	48953	TEE,RUN,520428-10.....	1	44	48919	TEE,BRANCH,520429-6.....	1
19	48922	CONN,520102-6-6.....	1	45	49120-2756	HOSE ASSEMBLY,1/4".....	1
20	49134-1976	HOSE ASSEMBLY,3/8".....	1			12	
		6		46	49158-2983	HOSE ASSEMBLY,5/8".....	1
21	48898	VALVE,CHK,#12PORT#12MALEORFS.1				13	
22	48988	ELBOW,45D,140339-16.....	2	47	49181-1240	HOSE ASSEMBLY,1/4".....	1
23	48994	VALVE,BALL,16 MPT-16 FPT***.....	2			14	
24	48986	CONN,520102-16.....	2	48	49158-5308	HOSE ASSEMBLY,5/8".....	1
25	49159-5368	HOSE ASSEMBLY,1".....	1			14	
		7		49	48920	ELBOW,45D,520320-6.....	1
				50	49128-2500	HOSE ASSY,3/8 90 DEG.....	1
						15	

513.1 Hydraulic Hoses and Fittings (to SN 2919)
(continued)

Item	Part No.	Description	Qty.	Item	Part No.	Description	Qty.
51	49126-2758	HOSE ASSY,3/8,45 FEM,STR FEM.....1 16	1				
52	49117-2241	HOSE ASSY,1/4,90 FEM,STR FEM.....1 17	1				
53	48912	CONN,520120-4-6***.....2	2				
54	49128-2334	HOSE ASSEMBLY,3/8".....1 17	1				
55	49128-2634	HOSE ASSEMBLY,3/8".....1 17	1				
56	48904	ELBOW,90D,520220-4-4.....1	1				
57	49117-1716	HOSE ASSY,1/4,90 FEM,STR FEM.....1 17	1				
58	48905	CONN,520120-4***.....1	1				
59	49128-2234	HOSE ASSEMBLY,3/8".....1 17	1				
60	49128-1734	HOSE ASSY,3/8,90 FEM,STR FEM.....1 17	1				
61	49110-1717	HOSE ASSEMBLY,1/2".....1 18	1				
62	49130-4807	HOSE ASSEMBLY,3/8".....1 18	1				
63	48938	FITTING,TEE,RUN,SWIVEL520432-8.1					
64	48934	CONN,LONG,520122-8.....2	2				
65	48917	CONN,LONG,520122-6.....2	2				
66	48892	ELBOW,SWIVEL 90D, 520221-6....2	2				
67	48950	ELBOW,90D,520220-10.....1	1				
68	48914	CONN,520120-4-8.....1	1				
69	48963	FITTING,ELBOW,45D,520320-12***.1	1				
70	48933	CONN,520120-8***.....2	2				
71	48929	FITTING,ELBOW,90D,520220-6-8** .1	1				

513.1 Hydraulic Hoses and Fittings (to SN 2919)
(continued)

Item	Part No.	Description	Qty.	Item	Part No.	Description	Qty.
------	----------	-------------	------	------	----------	-------------	------

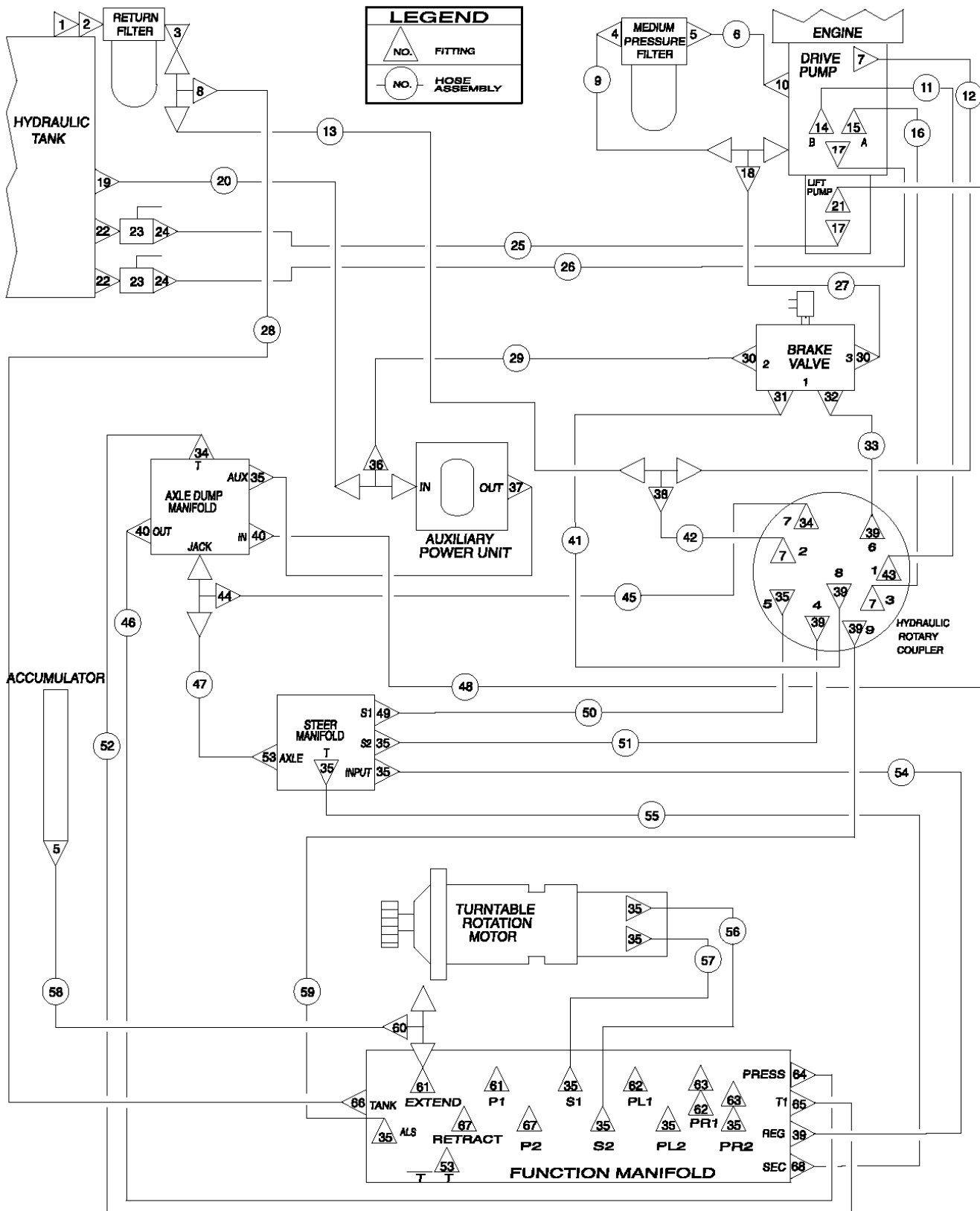


513.1 Hydraulic Hoses and Fittings (to SN 2919)
(continued)

Item	Part No.	Description	Qty.	Item	Part No.	Description	Qty.
Footnotes							
	1:	Hose End - Female, Swivel, 45°, ORFS (Parker No. 1J743-8), Hose End - Female, Swivel, ORFS (Parker No. 1JC43-10-8) and Hose, 1/2 inch (Parker No. 451TC-8)		11:		Hose End - Female, Swivel, ORFS (Parker No. 1JC43-6), Hose End - Female, Swivel, ORFS (Parker No. 1JC43-6) and Hose, 3/8 inch (Parker No. 451TC-6)	
	2:	Hose End - Female, Swivel, ORFS (Parker No. 1JC43-8), Hose End - Female, Swivel, 90°, ORFS (Parker No. 1J943-8) and Hose, 1/2 inch (Parker No. 451TC-8)		12:		Hose End - Female, Swivel, ORFS (Parker No. 1JC43-4), Hose End - Female, Swivel, ORFS (Parker No. 1JC43-6-4) and Hose, 1/4 inch (Parker No. 451TC-4)	
	3:	Hose End - Female, Swivel, ORFS (Parker No. 1JC71-12), Hose End - Female, Swivel, 90°, ORFS (Parker No. 1J971-12) and Hose, 3/4 inch (Parker No. 772-12)		13:		Hose End - Female, Swivel, ORFS (Parker No. 1JC43-10), Hose End - Female, Swivel, 90°, ORFS (Parker No. 1J943-10) and Hose, 5/8 inch (Parker No. 381-10)	
	4:	Hose End - Female, Swivel, ORFS (Parker No. 1JC43-12), Hose End - Female, Swivel, 90°, Medium, ORFS (Parker No. 1J543-12) and Hose, 3/4 inch (Parker No. 481-12)		14:		Hose End - Female, Swivel, 45°, ORFS (Parker No. 1J743-4), Hose End - Female, Swivel, ORFS (Parker No. 1JC43-6-4) and Hose, 1/4 inch (Parker No. 451TC-4)	
	5:	Hose End - Female, Swivel, ORFS (Parker No. 1JC43-12), Hose End - Female, Swivel, ORFS (Parker No. 1JC43-12) and Hose, 3/4 inch (Parker No. 481-12)		15:		Hose End - Female, Swivel, ORFS (Parker No. 1JC43-6), Hose End - Female, Swivel, 90°, ORFS (Parker No. 1J943-6) and Hose, 3/8 inch (Parker No. 451TC-6)	
	6:	Hose End - Female, Swivel, ORFS (Parker No. 1JC43-8-6), Hose End - Female, Swivel, 45°, ORFS (Parker No. 1J743-8-6) and Hose, 3/8 inch (Parker No. 451TC-6)		16:		Hose End - Female, Swivel, ORFS (Parker No. 1JC43-6), Hose End - Female, Swivel, 45°, ORFS (Parker No. 1J743-6) and Hose, 3/8 inch (Parker No. 451TC-6)	
	7:	Hose End - Female, Swivel, ORFS (Parker No. 1JC43-16), Hose End - Female, Swivel, 90°, ORFS (Parker No. 1J943-16) and Hose, 1 inch (Parker No. 881-16)		17:		Hose End - Female, Swivel, ORFS (Parker No. 1JC43-4), Hose End - Female, Swivel, 90°, ORFS (Parker No. 1J943-4) and Hose, 1/4 inch (Parker No. 451TC-4)	
	8:	Hose End - Female, Swivel, Long, ORFS (Parker No. 1JS43-6-8), Hose End - Female, Swivel, 90°, ORFS (Parker No. 1J943-10-8) and Hose, 1/2 inch (Parker No. 451TC-8)		18:		Hose End - Female, Swivel, ORFS (Parker No. 1JC43-8), Hose End - Female, Swivel, ORFS (Parker No. 1JC43-8) and Hose, 1/2 inch (Parker No. 381-8)	
	9:	Hose End - Female, Swivel, ORFS (Parker No. 1JC43-12), Hose End - Female, Swivel, 90°, ORFS (Parker No. 1J943-12) and Hose, 3/4 inch (Parker No. 481-12)					
	10:	Hose End - Female, Swivel, ORFS (Parker No. 1JC43-6), Hose End - Female, Swivel, 90°, ORFS (Parker No. 1J943-8-6) and Hose, 3/8 inch (Parker No. 451TC-6)					

This Page Intentionally Left Blank

513.2 Hydraulic Hoses and Fittings (from SN 2920)



513.2 Hydraulic Hoses and Fittings (from SN 2920)

Item	Part No.	Description	Qty.	Item	Part No.	Description	Qty.
--	49612	O-RING KIT (ORFS FITTINGS)		26	49159-5168	HOSE ASSEMBLY,1".....	1
--	49613	PLUG AND CAP KIT-SERVICE,ORFS*		7			
1	49512	ELBOW,90DEG,FEM,1"NPT.....	1	27	49145-1778	HOSE ASSEMBLY,1/2".....	1
2	49513	ADAPTER,PIPE NIPPLE.....	1	8			
3	49515	ELBOW,90D,520202-12-16.....	1	28	49150-1405	HOSE ASSY,3/4,90 FEM,STR FEM.....	1
4	48948	CONN,520120-8-12.....	1	9			
5	48947	ELBOW,90D,520220-8-12.....	2	29	49129-5325	HOSE ASSEMBLY,3/8".....	1
6	49136-3272	HOSE ASSEMBLY,1/2".....	1	10			
7	48960	FITTING,CONN,520120-12.....	3	30	48926	FITTING,ELBOW,90D,520220-6-4...2	
8	48964	FITTING,TEE,RUN,SWIVEL52043212.1		31	48927	CONN,520120-6-4.....	1
9	49143-3579	HOSE ASSY,1/2,90 FEM,STR FEM.....	1	32	48928	ELBOW,45D,520320-6-4.....	1
		2		33	49130-2957	HOSE ASSEMBLY,3/8.....	1
10	48946	CONN,520120-8-10.....	1	11			
11	49156-4581	HOSE ASSY,3/4,90 FEM,STR FEM.....	1	34	48911	ELBOW,90D,520220-4-6***.....	2
		3		35	48916	FITTING,CONN,520120-6.....	10
12	49148-3269	HOSE ASSEMBLY,3/4".....	1	36	48935	TEE,RUN,520428-8.....	1
		4		37	48942	ELBOW,90D,520220-8-6.....	1
13	49151-5748	HOSE ASSY,3/4,STR FEM,STR FEM.....	1	38	48969	TEE,BULKHEAD,RUN,520958-12....1	
		5		39	48915	ELBOW,90D,520220-6.....	5
14	48977	CONN,520120-12-16.....	1	40	48958	CONN,520120-10-12.....	1
15	48976	ELBOW,90D,520220-12-16.....	1	41	49130-3057	HOSE ASSEMBLY,3/8".....	1
16	49156-4381	HOSE ASSY,3/4,90 FEM,STR FEM.....	1	11			
		5		42	49150-1805	HOSE ASSY,3/4,90 FEM,STR FEM.....	1
17	48984	CONN,520120-16.....	2	11			
18	48953	TEE,RUN,520428-10.....	1	43	48959	FITTING,ELBOW,90D,520220-12....1	
19	48922	CONN,520102-6-6.....	1	44	48919	TEE,BRANCH,520429-6.....	1
20	49134-1976	HOSE ASSEMBLY,3/8".....	1	45	49120-2756	HOSE ASSEMBLY,1/4".....	1
		6		12			
21	48898	VALVE,CHK,#12PORT#12MALEORFS.1		46	49158-2983	HOSE ASSEMBLY,5/8".....	1
22	48988	ELBOW,45D,140339-16.....	2	13			
23	48994	VALVE,BALL,16 MPT-16 FPT***.....2		47	49181-1240	HOSE ASSEMBLY,1/4".....	1
24	48986	CONN,520102-16.....	2	14			
25	49159-5368	HOSE ASSEMBLY,1".....	1	48	49158-5308	HOSE ASSEMBLY,5/8".....	1
		7		14			
				49	48920	ELBOW,45D,520320-6.....	1
				50	49128-2500	HOSE ASSY,3/8 90 DEG.....	1
				15			

513.2 Hydraulic Hoses and Fittings (from SN 2920)
(continued)

Item	Part No.	Description	Qty.	Item	Part No.	Description	Qty.
51	49126-2758	HOSE ASSY,3/8,45 FEM,STR FEM.....1 16	1				
52	49117-2241	HOSE ASSY,1/4,90 FEM,STR FEM.....1 17	1				
53	48912	CONN,520120-4-6***.....2	2				
54	49128-2334	HOSE ASSEMBLY,3/8".....1 17	1				
55	49128-2634	HOSE ASSEMBLY,3/8".....1 17	1				
56	49128-2234	HOSE ASSEMBLY,3/8".....1 17	1				
57	49128-1734	HOSE ASSY,3/8,90 FEM,STR FEM.....1 17	1				
58	49110-1717	HOSE ASSEMBLY,1/2".....1 18	1				
59	49130-4807	HOSE ASSEMBLY,3/8".....1 18	1				
60	48938	FITTING,TEE,RUN,SWIVEL520432-8.1					
61	48934	CONN,LONG,520122-8.....2	2				
62	48917	CONN,LONG,520122-6.....2	2				
63	48892	ELBOW,SWIVEL 90D, 520221-6....2	2				
64	48950	ELBOW,90D,520220-10.....1	1				
65	48914	CONN,520120-4-8.....1	1				
66	48963	FITTING,ELBOW,45D,520320-12***.1	1				
67	48933	CONN,520120-8***.....2	2				
68	48929	FITTING,ELBOW,90D,520220-6-8**.1	1				

513.2 Hydraulic Hoses and Fittings (from SN 2920)
(continued)

Item	Part No.	Description	Qty.	Item	Part No.	Description	Qty.
------	----------	-------------	------	------	----------	-------------	------



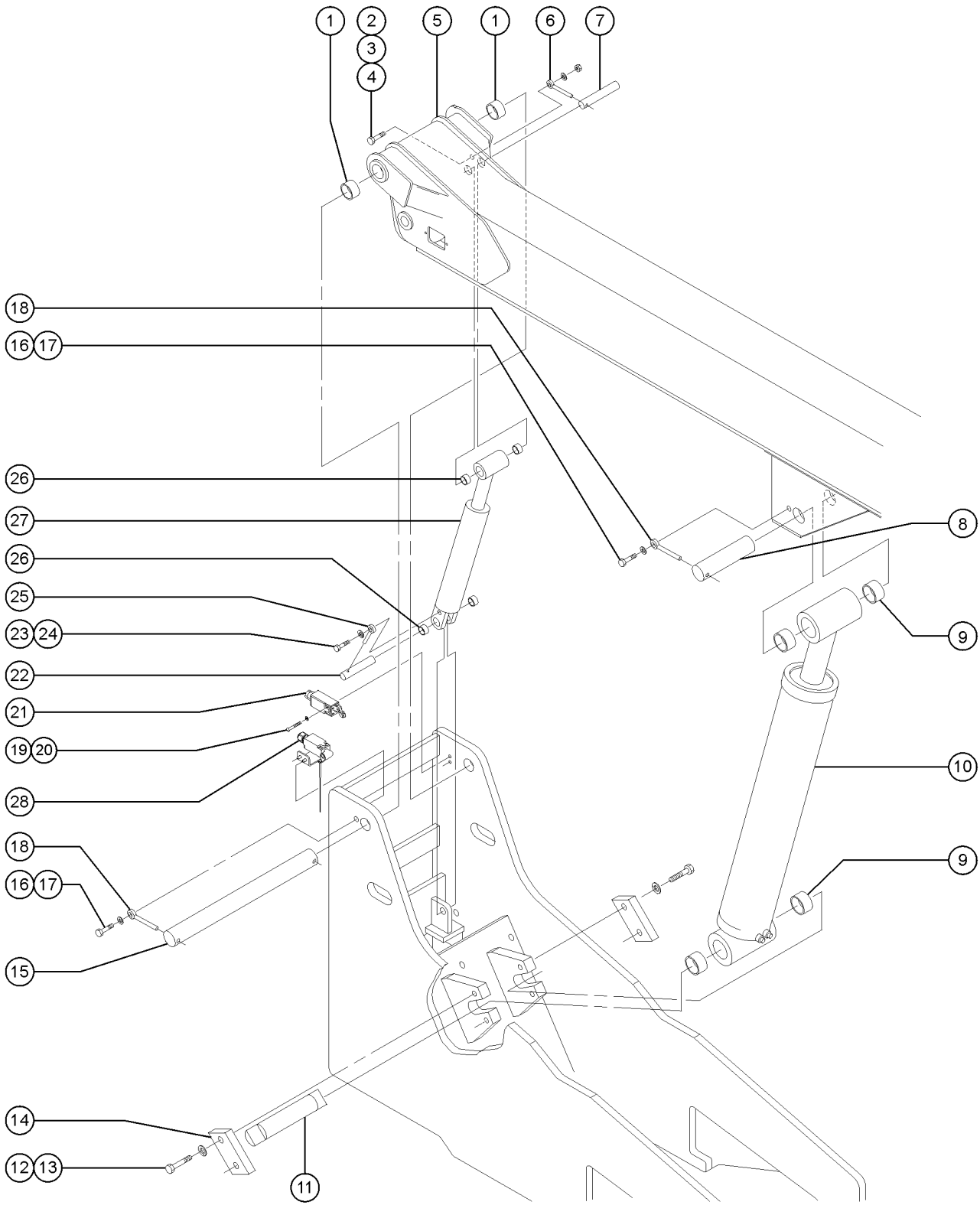
A TEREX BRAND
S-80,S-85

513.2 Hydraulic Hoses and Fittings (from SN 2920)
(continued)

Item	Part No.	Description	Qty.	Item	Part No.	Description	Qty.
Footnotes							
	1:	Hose End - Female, Swivel, 45°, ORFS (Parker No. 1J743-8), Hose End - Female, Swivel, ORFS (Parker No. 1JC43-10-8) and Hose, 1/2 inch (Parker No. 451TC-8)		11:	Hose End - Female, Swivel, ORFS (Parker No. 1JC43-6), Hose End - Female, Swivel, ORFS (Parker No. 1JC43-6) and Hose, 3/8 inch (Parker No. 451TC-6)		
	2:	Hose End - Female, Swivel, ORFS (Parker No. 1JC43-8), Hose End - Female, Swivel, 90°, ORFS (Parker No. 1J943-8) and Hose, 1/2 inch (Parker No. 451TC-8)		12:	Hose End - Female, Swivel, ORFS (Parker No. 1JC43-4), Hose End - Female, Swivel, ORFS (Parker No. 1JC43-6-4) and Hose, 1/4 inch (Parker No. 451TC-4)		
	3:	Hose End - Female, Swivel, ORFS (Parker No. 1JC71-12), Hose End - Female, Swivel, 90°, ORFS (Parker No. 1J971-12) and Hose, 3/4 inch (Parker No. 772-12)		13:	Hose End - Female, Swivel, ORFS (Parker No. 1JC43-10), Hose End - Female, Swivel, 90°, ORFS (Parker No. 1J943-10) and Hose, 5/8 inch (Parker No. 381-10)		
	4:	Hose End - Female, Swivel, ORFS (Parker No. 1JC43-12), Hose End - Female, Swivel, 90°, Medium, ORFS (Parker No. 1J543-12) and Hose, 3/4 inch (Parker No. 481-12)		14:	Hose End - Female, Swivel, 45°, ORFS (Parker No. 1J743-4), Hose End - Female, Swivel, ORFS (Parker No. 1JC43-6-4) and Hose, 1/4 inch (Parker No. 451TC-4)		
	5:	Hose End - Female, Swivel, ORFS (Parker No. 1JC43-12), Hose End - Female, Swivel, ORFS (Parker No. 1JC43-12) and Hose, 3/4 inch (Parker No. 481-12)		15:	Hose End - Female, Swivel, ORFS (Parker No. 1JC43-6), Hose End - Female, Swivel, 90°, ORFS (Parker No. 1J943-6) and Hose, 3/8 inch (Parker No. 451TC-6)		
	6:	Hose End - Female, Swivel, ORFS (Parker No. 1JC43-8-6), Hose End - Female, Swivel, 45°, ORFS (Parker No. 1J743-8-6) and Hose, 3/8 inch (Parker No. 451TC-6)		16:	Hose End - Female, Swivel, ORFS (Parker No. 1JC43-6), Hose End - Female, Swivel, 45°, ORFS (Parker No. 1J743-6) and Hose, 3/8 inch (Parker No. 451TC-6)		
	7:	Hose End - Female, Swivel, ORFS (Parker No. 1JC43-16), Hose End - Female, Swivel, 90°, ORFS (Parker No. 1J943-16) and Hose, 1 inch (Parker No. 881-16)		17:	Hose End - Female, Swivel, ORFS (Parker No. 1JC43-4), Hose End - Female, Swivel, 90°, ORFS (Parker No. 1J943-4) and Hose, 1/4 inch (Parker No. 451TC-4)		
	8:	Hose End - Female, Swivel, Long, ORFS (Parker No. 1JS43-6-8), Hose End - Female, Swivel, 90°, ORFS (Parker No. 1J943-10-8) and Hose, 1/2 inch (Parker No. 451TC-8)		18:	Hose End - Female, Swivel, ORFS (Parker No. 1JC43-8), Hose End - Female, Swivel, ORFS (Parker No. 1JC43-8) and Hose, 1/2 inch (Parker No. 381-8)		
	9:	Hose End - Female, Swivel, ORFS (Parker No. 1JC43-12), Hose End - Female, Swivel, 90°, ORFS (Parker No. 1J943-12) and Hose, 3/4 inch (Parker No. 481-12)					
	10:	Hose End - Female, Swivel, ORFS (Parker No. 1JC43-6), Hose End - Female, Swivel, 90°, ORFS (Parker No. 1J943-8-6) and Hose, 3/8 inch (Parker No. 451TC-6)					

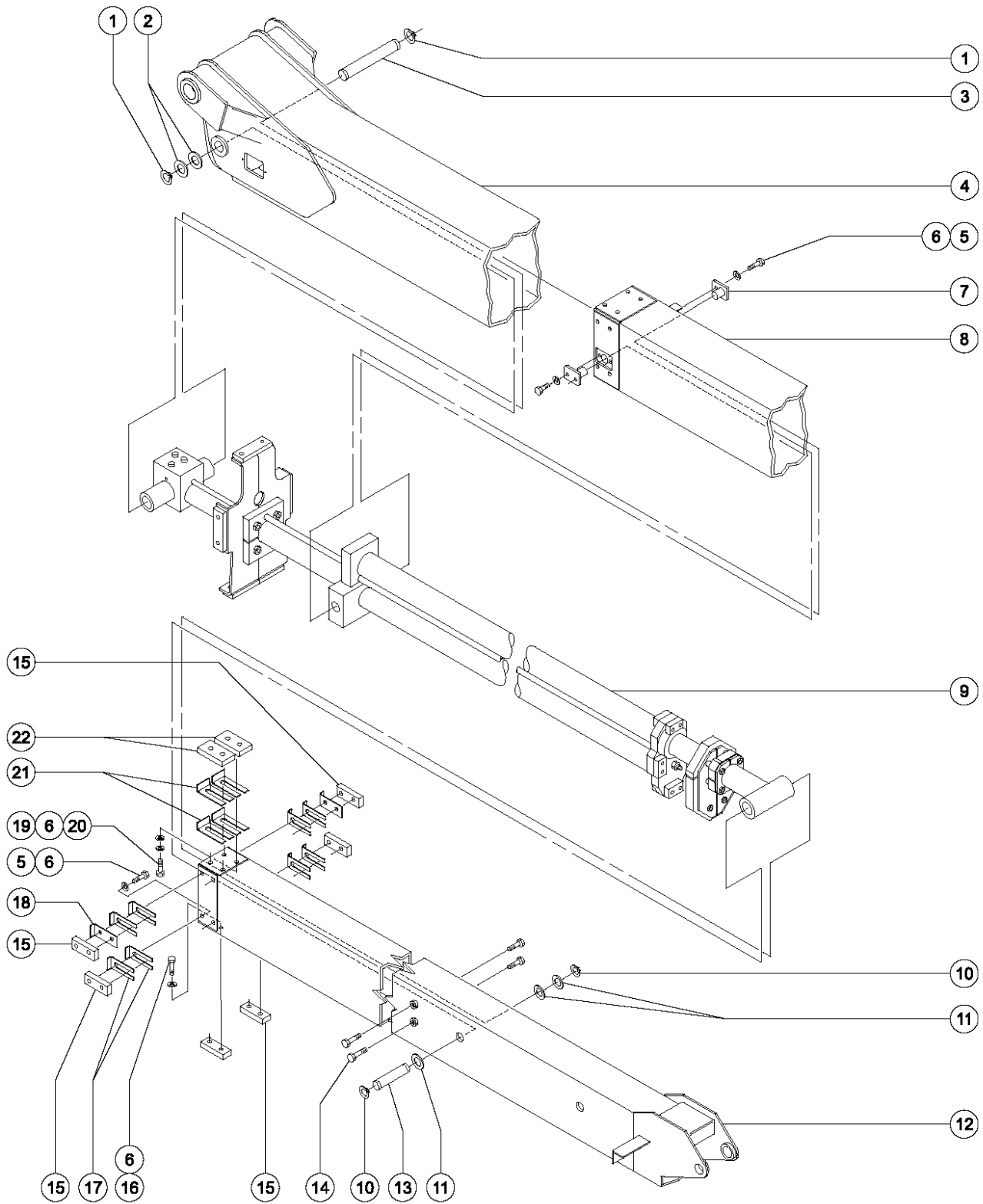
This Page Intentionally Left Blank

601.1 Boom Installation



Item	Part No.	Description	Qty.
1	34131	BEARING,2.50IDX3.00ODX2.00L....	2
2	5224	SCREW,HHC,3/8-16 X 2.....	1
3	5397	WASHER,FLAT,USS,5/16",Y.....	1
4	4828	NUT,NYLOCK,3/8-16.....	1
5	58009	ASSEMBLY,BOOM #1,S80/85..... <i>includes index number 1</i>	1
6	45226	ROD END,.375 X 3.69.....	1
7	34270	PIN,1.25DIAX6.62LG,1HOLE.....	1
8	34269	PIN,2.50DIAX13.75LG,1HOLE.....	1
9	27698	BEARING,2.50IDX2.75ODX2.00L....	4
10	63204	CYLINDER, LIFT, S80..... <i>includes index number 9</i>	1
--	33428	VALVE,COUNTERBALANCE.....	1
--	63344	SEAL KIT,CYL,S80 (63204).....	1
11	33823	PIN,PRI.CYL,/SWING CHASSIS....	1
12	33557	SCREW,HHC,3/4-10 X 2.00,GR5....	4
13	34550	WASHER,LOCK,.75 PLTD.....	4
14	33822P-S	PIN RETAINER,PRI.CYL.BLUE.....	2
15	34271	PIN,2.50DIAX29.13LG,1HOLE.....	1
16	10597	SCREW,HHC,1/2-13 X 1.25 GR5....	2
17	6033	WASHER,LOCK,0.5".....	2
18	30418	ROD END,.50 X 4.....	2
19	6179	SCREW,RHM,10-32 X 1.25.....	2
20	6607	WASHER,LOCK,#10 PLTD.....	2
21	88356-11103	SWITCH,LIMIT,W/RLR ARM,NO/NC.....	1
--	19491	CONTACTOR,LIMIT SWITCH.....	1
22	34276	PIN,1.25DIAX3.37LG,1HOLE.....	1
23	6175	SCREW,HHC,3/8-16 X 1.....	1
24	6021	WASHER,LOCK,.375.....	1
25	25284	ROD END,.375 X 2.25***.....	2
26	25683	BEARING,POLYGON,20DU12.....	4
27	63209	CYLINDER,MASTER***..... <i>includes index number 26</i>	1
--	63349	SEAL KIT CYL.(63209).....	1
28	88903	KIT,INSTALLATON LS2A	
--	106100	FORMING,LIMIT SWITCH BRACKET	
--	19491	CONTACTOR,LIMIT SWITCH	
--	43960	WIRE CABLE,16/4 CON.TPE JKT.....	204-inches
--	88356-127J3	SWITCH,LIMIT,W/6.25" SPRING AR	

602.1 Extension Boom - View 1



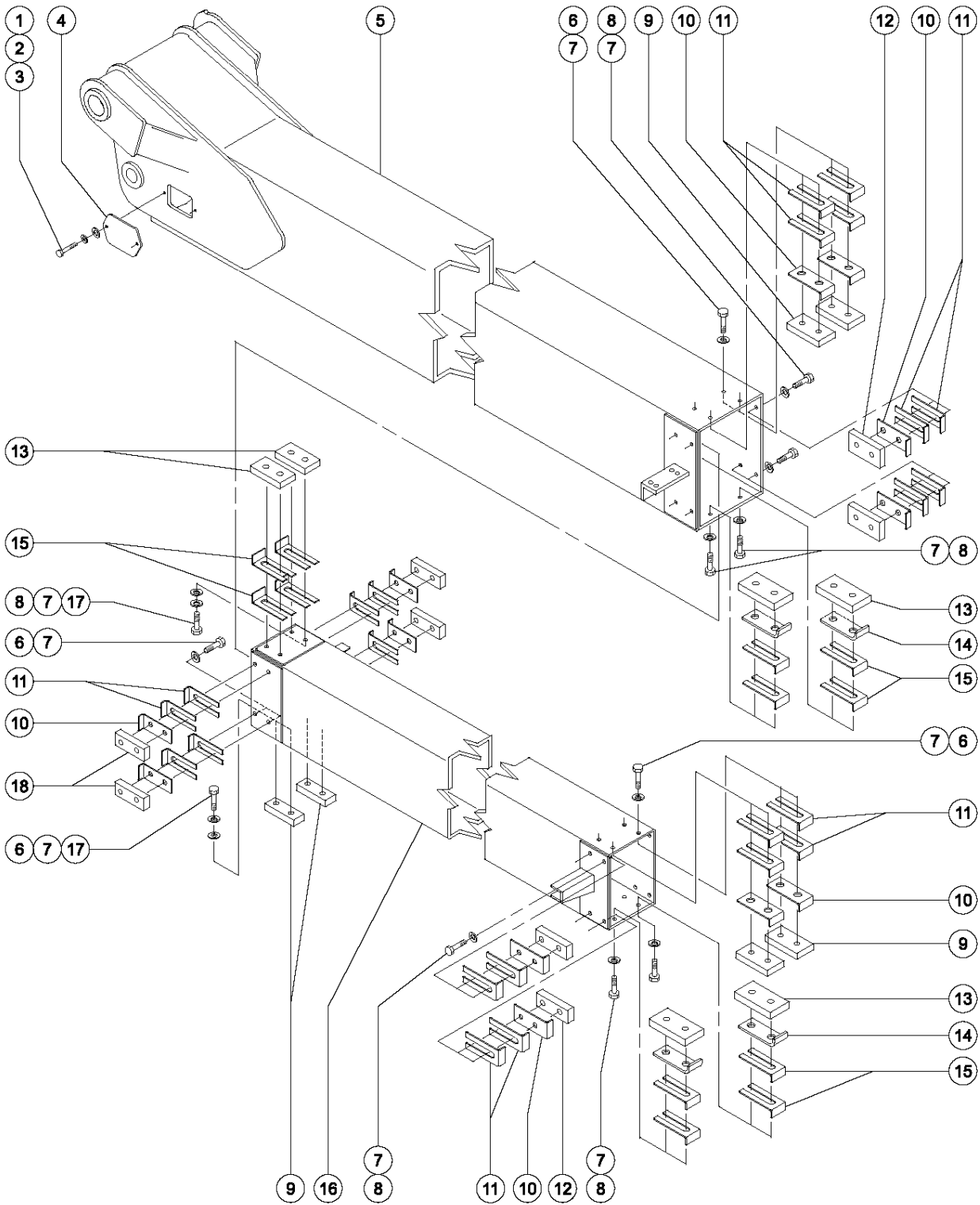
602.1 Extension Boom - View 1

Item	Part No.	Description	Qty.
1	825796	SNAP RING,EXTERNAL,1.50,ZAG.....	2
2	18596	WASHER,FLAT,1.56 X 2.5 X .061....	8
		1	
3	34268	PIN,1.50DIAX14.41LG,2RING.....	1
4	58009	ASSEMBLY,BOOM #1,S80/85.....	1
5	6175	SCREW,HHC,3/8-16 X 1.....	10
6	6021	WASHER,LOCK, .375.....	18
7	34170-S	EXT.CYL.MOUNTING PIN WLDMT.....	2
8	53052-S	WELDMENT,BOOM #2,S80/85.....	1
9	63200	EXTENSION CYL ASSY,S80/85.....	1
10	824164	SNAP RING,EXTERNAL,1.25,ZAG.....	2
11	30255	WASHER,SHIM,1.27 X 2.13 X .062.....	4
		1	
12	227150	ASSY,S80/85 #3 BOOM TUBE.....	1
13	T108079	PIN,1.25DIAX8.30LG,2RING.....	1
14	6090	SCREW,HHC,1/4-20 X .75.....	4
15	30138	WEAR PAD,5 X 1.5 X .625 W/NUTS.....	6
16	8255	SCREW,HHC,3/8-16 X .75.....	4
17	29080	SHIM,WEAR PAD,5X 1.5 16GA.....	12
		1	
18	38620	SHIM,WEAR PAD,5 X 1.5,14GA.....	6
		1	
19	6019	SCREW,HHC,3/8-16 X 1.25 GRD 5.....	4
20	6097	WASHER,FLAT,USS,3/8",Y.....	4
21	34344	SHIM,SIDE PAD 16GA. 3 X 5.....	4
		1	
22	34124	WEAR PAD,5 X 3 X .625 W/INSER.....	2

Footnotes

1: Quantity listed for this item is approximate.
Actual quantity may vary to ensure proper fit.

603.1 Extension Boom - View 2

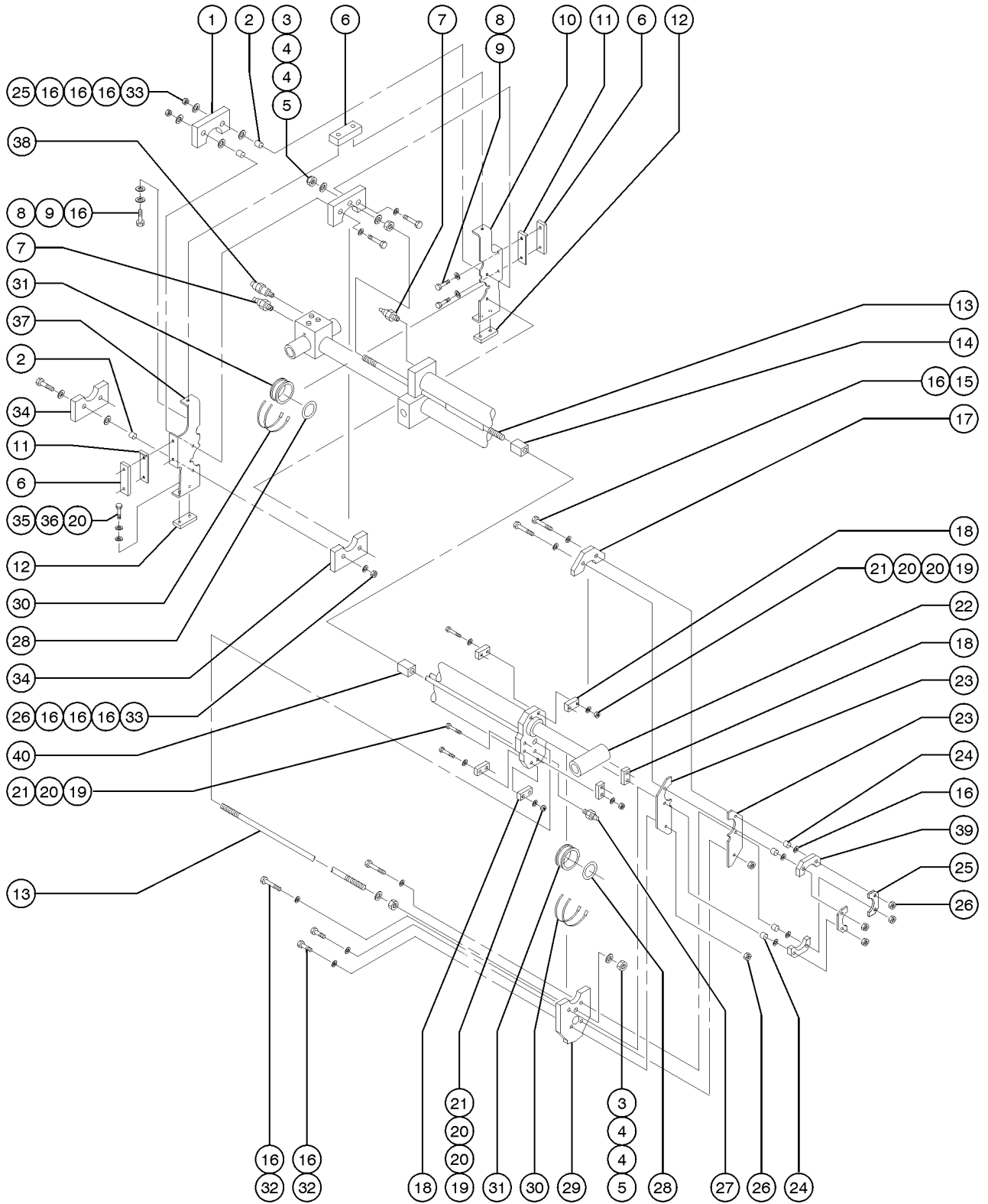


Item	Part No.	Description	Qty.
1	7339	SCREW,HHC,1/4-20 X .5.....	4
2	6356	WASHER,LOCK,.25.....	4
3	6638	WASHER,FLAT,USS,1/4"Y.....	4
4	34284P-S	COVER,BOOM SECTION #1 PAINTED.....	2
5	58009	ASSEMBLY,BOOM #1,S80/85.....	1
6	6175	SCREW,HHC,3/8-16 X 1.....	20
7	6021	WASHER,LOCK,.375.....	48
8	6019	SCREW,HHC,3/8-16 X 1.25 GRD 5.....	24
9	30138	WEAR PAD,5 X 1.5 X .625 W/NUTS.....	6
10	38620	SHIM,WEAR PAD,5 X 1.5,14GA.... 1	18
11	29080	SHIM,WEAR PAD,5X 1.5 16GA.... 1	28
12	34125	WEAR PAD,5 X 1.5 X .75 W/NUTS.....	8
13	34124	WEAR PAD,5 X 3 X .625 W/INSER.....	6
14	38621	SHIM,PAD,5 X 3.....	6
15	34344	SHIM,SIDE PAD 16GA. 3 X 5..... 1	12
16	53052-S	WELDMENT,BOOM #2,S80/85.....	1
17	6097	WASHER,FLAT,USS,3/8",Y.....	8
18	30137	WEAR PAD,5 X 1.5 X .50 W/NUTS.....	4

Footnotes

1: Quantity listed for this item is approximate.
Actual quantity may vary to ensure proper fit.

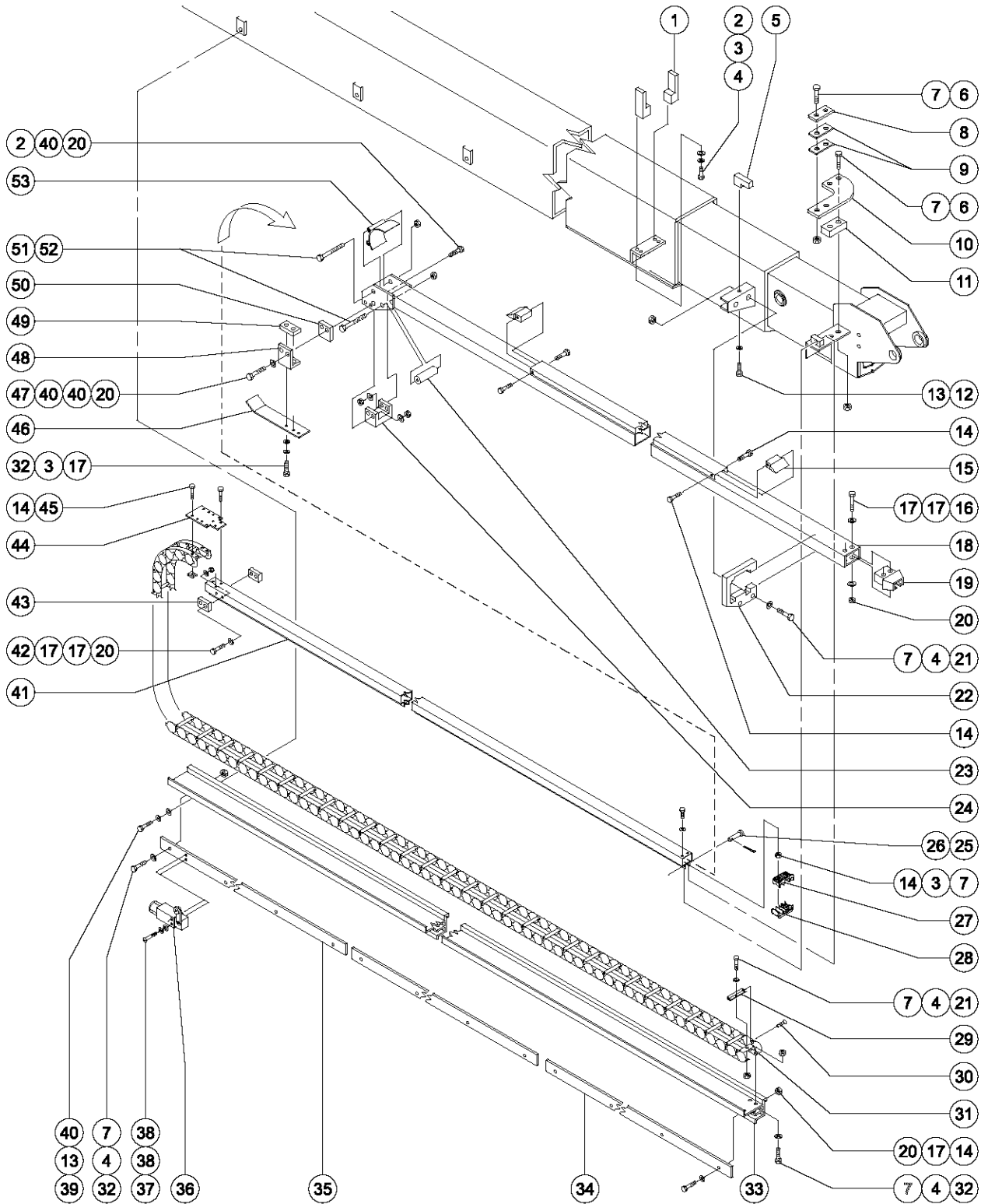
604.1 Extension Cylinder Assembly



604.1 Extension Cylinder Assembly

Item	Part No.	Description	Qty.	Item	Part No.	Description	Qty.
1	34177	WEAR PAD,BOTTOM EXT.ROD, TOP.....	2	27	40134	VALVE,SEQUENCE,SUN S60/80 EXT.....	1
2	35464	TUBE,RD,ALM .75X.11 6061-T6511.....	4	28	34809	O-RING, 2.25 I.D.X3/16,90 DURO...2	
3	6086	NUT,LP NYLOCK,1/2-13.....	2	29	34169	WEAR PAD, TOP ROD SUPP.BOTTOM.....	1
4	6095	WASHER,FLAT,USS,1/2",Y.....	4	--	53116	WEAR PAD, TOP ROD SUPP.BOTTOM from SN 1118	
5	6034	NUT,HEX,JAM,1/2-13.....	2	30	28443	CABLE TIE,11.5" BLACK.....	4
6	34125	WEAR PAD,5 X 1.5 X .75 W/NUTS.....	3	31	34805	WEAR RING,ROD.....	2
7	36188	VALVE,COUNTERBALCACA-LHN@2000.2		32	13918	SCREW,HHC,3/8-16 X 1.75,GRD.8.....	4
8	6175	SCREW,HHC,3/8-16 X 1.....	6	33	6605	SCREW,HHC,3/8-16 X 3.5,GR5.....	4
9	6021	WASHER,LOCK,.375.....	6	34	34178	WEAR PAD,BOTTOM EXT.ROD,BOTTOM.....	2
10	53114-S	BRACKET,LOWER ROD LH PAINTED.....	1	35	6090	SCREW,HHC,1/4-20 X .75.....	4
11	38620	SHIM,WEAR PAD,5 X 1.5,14GA....	2	36	6356	WASHER,LOCK,.25.....	4
12	45209	WEAR PAD,4X2X.5 W/INSERT***....	2	37	53115-S	BRACKET,BOTTOM ROD R.H.PAINTED.....	1
13	34180	EXTENDING ROD.....	2	38	36207	VALVE,COUNTERBALCWCA-LHN@2000.1	
14	122714	SPACER,INSIDE.....	2	39	34807	WEAR PAD.....	1
15	5387	SCREW,HHC,3/8-16 X 4.....	2	40	122713	WEAR PAD,TENSION ROD.....	2
16	5397	WASHER,FLAT,USS,5/16",Y.....	22				
17	34168	WEAR PAD, TOP ROD SUPPORT, TOP.....	1				
18	34165	WEAR PAD,EXTENSION CYLINDER.....	8				
19	6889	NUT,LP NYLOCK,1/4-20.....	8				
20	6638	WASHER,FLAT,USS,1/4"Y.....	36				
21	6884	SCREW,HHC,1/4-20 X 2.5.....	6				
22	63200	EXTENSION CYL ASSY,S80/85..... <i>Includes index numbers 7 and 37, use in place of previous cylinder 35620</i>	1				
--	37499	SEAL KIT S60/S80 (35654/35620* TOP AND BOTTOM (cream color cylinder 35620); to SN 1613					
--	63338	SEAL KIT,CYL,S80 (63200)***..... TOP (black color cylinder 63200)	1				
--	63339	SEAL KIT,EXT CYL (63200)***..... BOTTOM (black color cylinder 63200)	1				
23	34167P-S	SUPPORT BRACKET, TOP ROD PAINTD.....	2				
24	45400	SPACER TUBE,.50 LG.....	4				
25	34808	BRACKET,WEAR PAD RETENTION.....	2				
26	7713	NUT,LP NYLOCK,3/8-16.....	8				

605.1 Cable Track Installation



605.1 Cable Track Installation

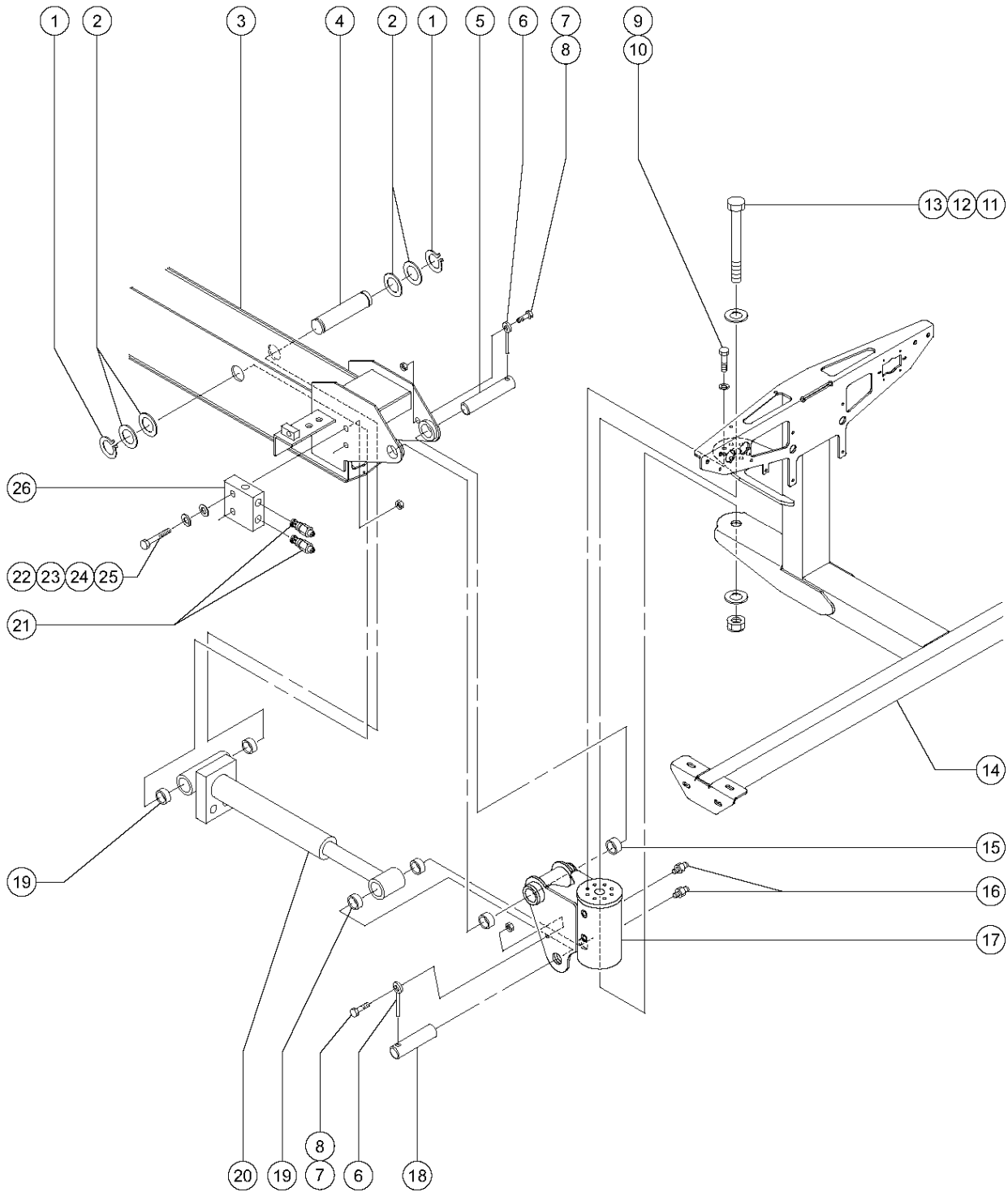
Item	Part No.	Description	Qty.	Item	Part No.	Description	Qty.
1	34636	WEAR PAD,CABLE TRCK OUTER TUBE.....	2	31	43936	KIT,STEEL CABLE TRACK,S80 for first-time replacement of cable track; includes 73998	
2	6145	SCREW,HHC,1/4-20 X 1.5.....	8	--	46677	REPAIR LINK,3 LINKS (STEEL) for 43484 steel track	
3	6356	WASHER,LOCK,.25.....	6	--	65873	ROLLER,POLY,STEEL TRACK(43484) for 43484 steel track	
4	6638	WASHER,FLAT,USS,1/4"Y.....	14	--	72268	END SET,STEEL43482,43483,43484 for 43484 steel track	
5	34394	WEAR PAD,BOTTOM,CABLE TRACK.....	1	--	73998	CABLETRACK,PLATED,117 LINKS.....	1
6	4266	SCREW,HHC,1/4-20 X 2.....	4	--	81007	REPAIR LINK, 4 LINKS PLATED for 73998 steel track	
7	6091	NUT,NYLOCK,1/4-20.....	22	32	6090	SCREW,HHC,1/4-20 X .75.....	12
8	46751P-S	CABLE CLAMP.....	1	33	43859-S	CABLE TRACK TRAY,DRILLED,S80.....	1
9	46765	PAD,CABLE CLAMP.....	2	34	30757-S	COVER,CABLE TRACK TRAY.....	1
10	46750P	BRACKET, CABLE CLAMP.....	1	35	34749-S	COVER,CABLE TRACK TRAY,DRILLED.....	1
11	46752	SPACER, CABLE CLAMP.....	1	36	88356-11103	SWITCH,LIMIT,W/RLR ARM,NO/NC.....	1
12	13918	SCREW,HHC,3/8-16 X 1.75,GRD.8.....	1	--	19491	CONTACTOR,LIMIT SWITCH.....	1
13	6021	WASHER,LOCK,.375.....	5	37	6179	SCREW,RHM,10-32 X 1.25.....	2
14	8914	SCREW,HHC,1/4-20 X .625.....	10	38	6607	WASHER,LOCK,#10 PLTD.....	4
15	41751	TUBE DEFLECTOR,PLASTIC.....	2	39	8255	SCREW,HHC,3/8-16 X .75.....	4
16	6115	SCREW,HHC,1/4-20 X 3.5.....	2	40	5397	WASHER,FLAT,USS,5/16",Y.....	11
17	30748	WASHER,SHIM,1.01 X 1.63 X.062.....	10	41	43854-S	EXTRU.,CABLE TRK.SUPPT,288"DR.....	1
18	34202-S	CABLE TRACK TUBE.....	1	--	27258	TRIM,RUBBER EDGE,5/8 (BY INCH) order as needed	
19	41750	COW CATCHER,PLASTIC.....	1	42	6888	SCREW,HHC,1/4-20 X 1.....	4
20	6889	NUT,LP NYLOCK,1/4-20.....	6	43	31411	WEAR PAD,CABLE TRACK.....	2
21	6637	SCREW,HHC,1/4-20 X 1.75.....	7	44	43191P	PLATE,CABLE TRACK,PAINTED.....	1
22	34323	WEAR PAD,CABLE TRACK.....	1	45	56912	SPRING CLIP,1/4-20,.025-.15X.5.....	4
23	40653	ROLLER,UHMW.....	1	46	36204P-S	BRACKET,LIMIT SWITCH EXT,BLUE*.....	1
24	43128	SLIDER BAR.....	1	47	8179	SCREW,HHC,1/4-20 X 2.25.....	2
25	34746	PIN,CLEVIS,.50 X 2.00 LG.....	1	48	41031P	ANGLE,CABLE TRACK TUBE,PANTD.....	1
26	5361	PIN,COTTER,.125 X 1.5.....	1	49	41029	WEAR PAD,3 X 2 X .5 W/INSERT....	1
27	63432	CLAMP,HOSE,BOTTOM,MOLDED..	1	50	41030	WEAR PAD,2.25 X 2.50 X .5.....	1
28	63433	CLAMP,HOSE,TOP,MOLDED.....	1	51	22832	SCREW,HHC,3/8-16 X 6.....	3
29	46766	CLAMP, CABLE TRACK.....	1	52	7713	NUT,LP NYLOCK,3/8-16.....	3
30	57075	SCREW,PHIL,8-32X.50,SELF TAP.....	2				

605.1 Cable Track Installation
(continued)

Item	Part No.	Description	Qty.
53	36593	WELDMENT,CABLE TRACK GUIDE**	1

This Page Intentionally Left Blank

606.1 Slave Cylinder and Platform Rotator (to SN 2704)



606.1 Slave Cylinder and Platform Rotator (to SN 2704)

Item	Part No.	Description	Qty.	Item	Part No.	Description	Qty.
1	824164	SNAP RING,EXTERNAL,1.25,ZAG.....	2	17A	94398	ROTATOR,PLAT,NON-JIB..... <i>(INCLUDED IN ROTATOR UPDATE KIT PART NO 77874 and 111172)</i>	1
2	30255	WASHER,SHIM,1.27 X 2.13 X .062.....	4	17B	77874	ROTATOR ASSEMBLY,8.2K*** <i>ROTATOR UPDATE KIT, REQUIRED FOR FIRST TIME REPLACEMENT OF PREVIOUS ROTATOR PART NO 30669; from SN 966 to 2546</i>	1
3	227150	ASSY,S80/85 #3 BOOM TUBE.....	1	17C	111172	STICK BOOM ROTATOR SERVICE KIT <i>ROTATOR UPDATE KIT, REQUIRED FOR FIRST TIME REPLACEMENT OF PREVIOUS ROTATOR PART NO 73499; from SN 2547 to 2704</i>	1
4	T108079	PIN,1.25DIAX8.30LG,2RING.....	1	--	106421	SEAL KIT,ARCTIC,ROTATOR 8.2K** <i>rotator 73499 and 73917</i>	1
5	T108078	PIN,1.25DIAX9.50LG,1HOLE.....	1	--	122944	SEAL KIT,8K ROTATOR*** <i>rotator 94398</i>	1
6	45226	ROD END,.375 X 3.69.....	2	--	31498	BEARING KIT,ROTATOR,9K*** <i>rotator 30669</i>	1
7	8516	SCREW,HHC,3/8-16 X 1.50,GR5....	2	--	62417	SEAL KIT,PLAT ROTATE*** <i>rotator 73499 and 73917</i>	1
8	4828	NUT,NYLOCK,3/8-16.....	2	--	65842	SEAL KIT,UNIVERSAL,9K ROTATOR* <i>rotator 30669</i>	1
9	10597	SCREW,HHC,1/2-13 X 1.25 GR5....	6	--	73807	MANIFOLD,ROTATOR,CB*** <i>(INCLUDED IN ROTATOR UPDATE KIT PART NO 77874 and 111172)</i>	1
--	27035	SCREW,SHC,3/8-16 X .75,BLACK..... <i>USE WITH ROTATOR PART NO 94398 (INCLUDED IN ROTATOR UPDATE KIT PART NO 77874)</i>	8	--	75395	BEARING KIT,PLAT ROTATOR,SUPER..... <i>rotator 73499 and 73917</i>	1
--	6175	SCREW,HHC,3/8-16 X 1..... <i>USE WITH ROTATOR PART NO 73499</i>	8	--	77877	SHAFT ADAPTER, HELAC ROTATOR..... <i>(INCLUDED IN ROTATOR UPDATE KIT PART NO 77874)</i>	1
10	6033	WASHER,LOCK,0.5"..... <i>to SN 2544</i>	6	18	T108075	PIN,1.25DIAX5.25LG,1HOLE.....	1
--	6097	WASHER,FLAT,USS,3/8",Y..... <i>from SN 2547</i>	8	19	25683	BEARING,POLYGON,20DU12.....	4
11	30286	SCREW,HHC,1-8 X 12IN GRD.2*** <i>to SN 2544</i>	1	20	63210	CYLINDER,SLAVE,3 X 11.38***..... <i>includes index number 19</i>	1
--	73928	SCREW,HHC,1-8 X 11,GRD 5*** <i>from SN 2547</i>	1	--	43169	VALVE,COUNTERBALANCE*** <i>for blue cylinder</i>	1
12	13775	WASHER,FLAT,1.063 X 2 X .134....	2	--	59267	VALVE,COUNTERBALCACG-LGN@3500.1 <i>for black cylinder</i>	1
--	38859	WASHER,FLAT,USS,1",Y..... <i>from SN 2547</i>	1	--	63350	SEAL KIT,CYL (63210).....	1
13	29764	NUT,NYLOCK,1-8.....	1	21	32722	VALVE,COUNTERBALCBCG-LJN@3000.2	2
14	50144-S	PLATFORM SUPPORT WELDMNT*** <i>to SN 2544</i>	1	22	8179	SCREW,HHC,1/4-20 X 2.25.....	2
--	60370-S	PLATFORM SUPPORT WELDMNT-SERV* <i>shown; from SN 2547</i>	1				
15	30219	BEARING,FL,1.25ID X 1.41OD X 1.....	2				
16	13852	VALVE ASSY,BLEED***	2				
--	88516	SCREW,BLEEDER,M5X0.8..... <i>USE WITH ROTATOR PART NO 94398</i>	2				

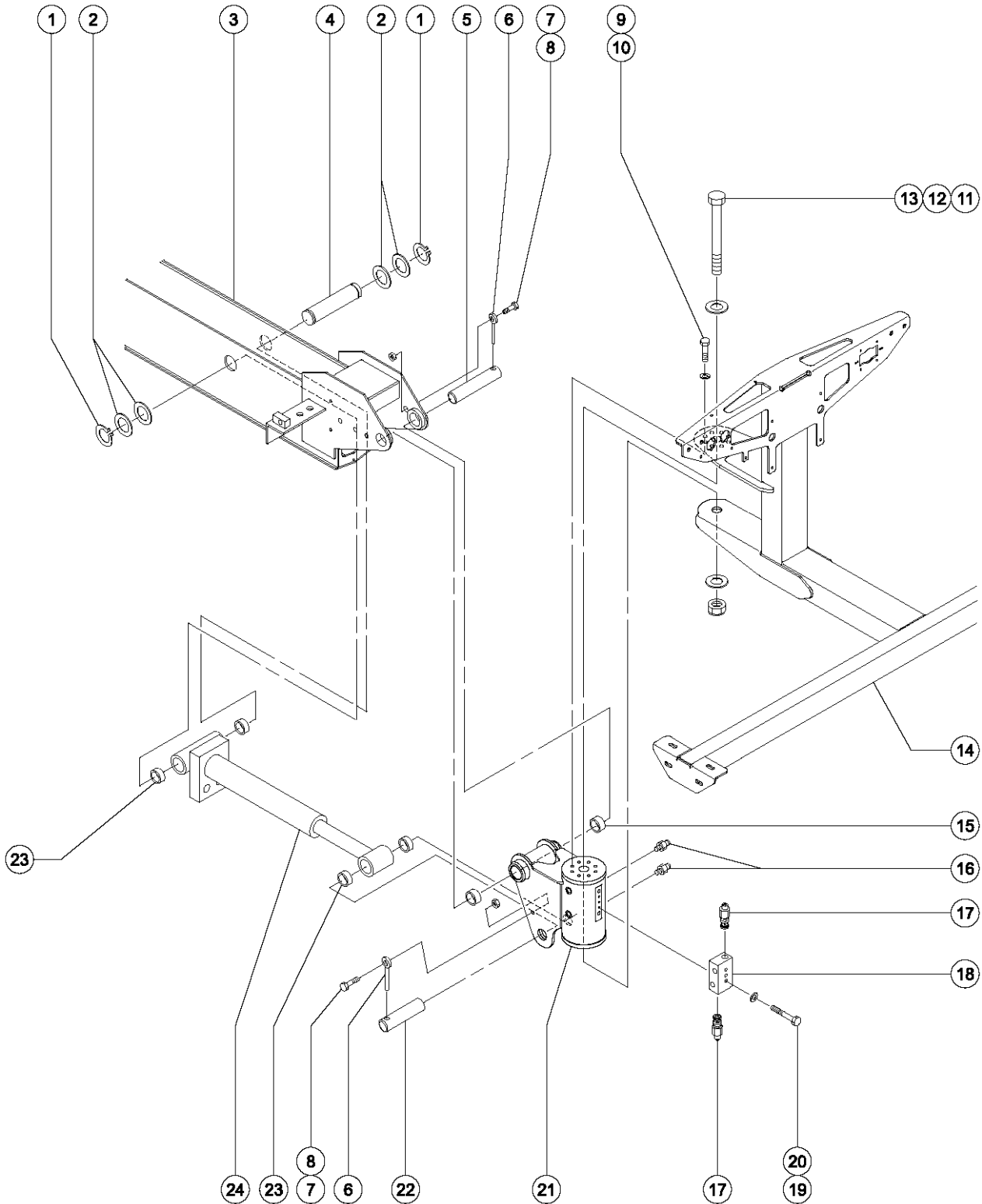
606.1 Slave Cylinder and Platform Rotator (to SN 2704)
(continued)

Item	Part No.	Description	Qty.
23	6356	WASHER, LOCK, .25.....	2
24	6638	WASHER, FLAT, USS, 1/4"Y.....	2
25	6091	NUT, NYLOCK, 1/4-20.....	2
26	30823	VALVE, DUAL CB MANIFOLD..... <i>includes index number 21</i>	1

606.1 Slave Cylinder and Platform Rotator (to SN 2704)
(continued)

This Page Intentionally Left Blank

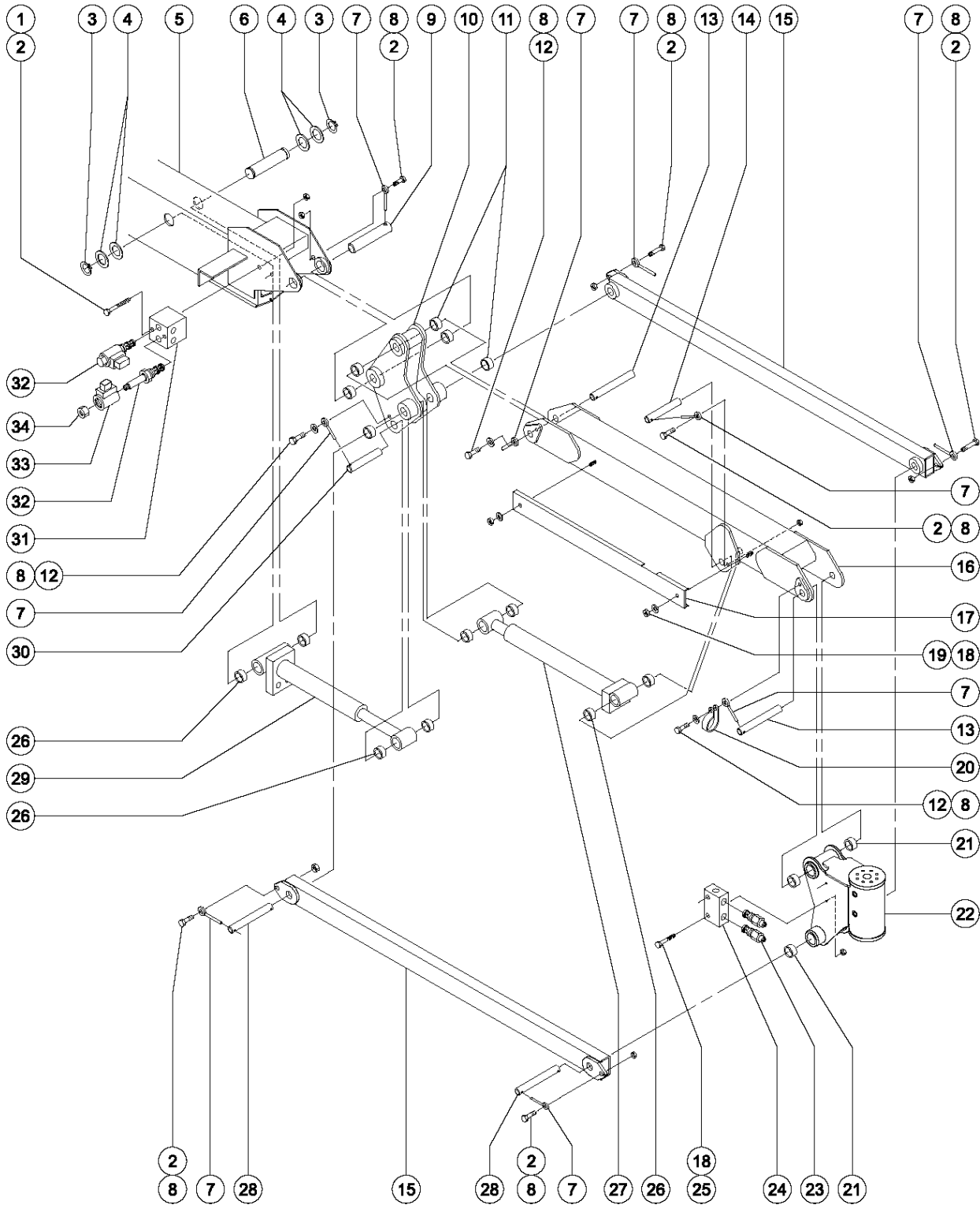
606.2 Slave Cylinder and Platform Rotator (from SN 2705)



606.2 Slave Cylinder and Platform Rotator (from SN 2705)

Item	Part No.	Description	Qty.	Item	Part No.	Description	Qty.
1	824164	SNAP RING,EXTERNAL,1.25,ZAG.....	2	--	43018	SEAL KIT (39345)	
2	30255	WASHER,SHIM,1.27 X 2.13 X .062.....	4	--	43169	VALVE,COUNTERBALANCE*** <i>for blue cylinder</i>	
3	227150	ASSY,S80/85 #3 BOOM TUBE.....	1	--	59267	VALVE,COUNTERBALCACG-LGN@3500.1 <i>for black cylinder</i>	1
4	T108079	PIN,1.25DIAX8.30LG,2RING.....	1	--	63350	SEAL KIT,CYL (63210).....	1
5	T108078	PIN,1.25DIAX9.50LG,1HOLE.....	1				
6	45226	ROD END,.375 X 3.69.....	2				
7	8516	SCREW,HHC,3/8-16 X 1.50,GR5....	2				
8	4828	NUT,NYLOCK,3/8-16.....	2				
9	6175	SCREW,HHC,3/8-16 X 1.....	8				
10	6097	WASHER,FLAT,USS,3/8",Y.....	8				
11	73928	SCREW,HHC,1-8 X 11,GRD 5***	1				
12	38859	WASHER,FLAT,USS,1",Y.....	1				
13	29764	NUT,NYLOCK,1-8.....	1				
14	60370-S	PLATFORM SUPPORT WELDMNT-SERV*.....	1				
15	30219	BEARING,FL,1.25ID X 1.41OD X 1.....	2				
16	88516	SCREW,BLEEDER,M5X0.8.....	2				
17	62506	VALVE - COUNTERBALANCE**.....	2				
18	73807	MANIFOLD,ROTATOR,CB***	1				
		<i>includes index number 17</i>					
19	6145	SCREW,HHC,1/4-20 X 1.5.....	3				
20	6356	WASHER,LOCK,.25.....	3				
21	94398	ROTATOR,PLAT,NON-JIB.....	1				
--	122944	SEAL KIT,8K ROTATOR***	1				
		<i>rotator 94398</i>					
--	62417	SEAL KIT,PLAT ROTATE***	1				
		<i>rotator 73499 and 73917</i>					
--	73807	MANIFOLD,ROTATOR,CB*** <i>(INCLUDED IN ROTATOR UPDATE KIT PART NO 77874 and 111172)</i>					
--	75395	BEARING KIT,PLAT ROTATOR,SUPER.....	1				
		<i>rotator 73499 and 73917</i>					
--	77877	SHAFT ADAPTER, HELAC ROTATOR <i>(INCLUDED IN ROTATOR UPDATE KIT PART NO 77874)</i>					
22	T108075	PIN,1.25DIAX5.25LG,1HOLE.....	1				
23	25683	BEARING,POLYGON,20DU12.....	4				
24	63210	CYLINDER,SLAVE,3 X 11.38***	1				
		<i>includes index number 15</i>					

607.1 Jib Boom and Platform Rotator (to SN 2704)



607.1 Jib Boom and Platform Rotator (to SN 2704)

Item	Part No.	Description	Qty.	Item	Part No.	Description	Qty.
1	5387	SCREW,HHC,3/8-16 X 4.....	2	--	65842	SEAL KIT,UNIVERSAL,9K ROTATOR*.....	1
2	4828	NUT,NYLOCK,3/8-16.....	8			<i>for rotator 30947</i>	
3	824164	SNAP RING,EXTERNAL,1.25,ZAG.....	2	--	94397	ROTATOR,PLAT JIB,160 DEG***	
4	30255	WASHER,SHIM,1.27 X 2.13 X .062.....	4	23	32722	VALVE,COUNTERBALCBCG-LJN@3000.2 <i>for manifold 30823</i>	
		1		--	62506	VALVE - COUNTERBALANCE**.....	2
5	227150	ASSY,S80/85 #3 BOOM TUBE.....	1			<i>for manifold 73807</i>	
6	T108079	PIN,1.25DIAX8.30LG,2RING.....	1	24	30823	VALVE,DUAL CB MANIFOLD.....	1
7	45226	ROD END,.375 X 3.69.....	7			<i>for rotator 30947</i>	
8	8516	SCREW,HHC,3/8-16 X 1.50,GR5.....	8	--	73807	MANIFOLD,ROTATOR,CB*** <i>for rotator 94397</i>	
9	T108078	PIN,1.25DIAX9.50LG,1HOLE.....	1	25	8179	SCREW,HHC,1/4-20 X 2.25.....	2
10	89801	BELLCRANK ASSY W/BEARINGS.....	1	26	25683	BEARING,POLYGON,20DU12.....	8
		<i>includes index number 11</i>		27	63213	CYLINDER,JIB (STICK BOOMS).....	1
11	35675	BEARING,FL,1.25IDX1.5ODX1.25L.6		--	33428	VALVE,COUNTERBALANCE.....	1
12	6021	WASHER,LOCK,.375.....	3	--	63353	SEAL KIT,CYL,S65 (63213).....	1
13	T108076	PIN,1.25DIAX7.88LG,1HOLE.....	2	28	81175	PIN,1.25DIAX14.45LG,2HOLE.....	2
14	T108077	PIN,1.25DIAX7.00LG,1HOLE.....	1	29	63210	CYLINDER,SLAVE,3 X 11.38***.....	1
15	30945	WELDMENT,COMPRESSION MEMBER.....	2			<i>includes 4 each index number 26</i>	
16		SERVICE KIT, 5FT JIB.....	1	--	43169	VALVE,COUNTERBALANCE*** <i>for blue cylinder</i>	
		<i>see section 610.1 for jib detail</i>		--	59267	VALVE,COUNTERBALCACG-LGN@3500.1 <i>for black cylinder</i>	
17	54527-S	CABLE COVER,JIB***.....	1	--	63350	SEAL KIT,CYL (63210)	
18	6091	NUT,NYLOCK,1/4-20.....	4	30	T108075	PIN,1.25DIAX5.25LG,1HOLE.....	1
19	6638	WASHER,FLAT,USS,1/4"Y.....	2	31	73616	MANIFOLD,JIB SELECT*** <i>Previous manifold 30228 is no longer available. Please order manifold 73616 for complete replacement</i>	
20	32339	CLAMP,1.75,#28 X 3/8,RUB CUSH*.....	1	32A	62267	VALVE,SOLENOID N/C (SHORT)***.....	1
21	30219	BEARING,FL,1.25ID X 1.41OD X 1.....	4			<i>short valve for previous manifold 30228</i>	
22	77875	ROTATOR ASSEMBLY,8.2K***.....	1	--	62262	VALVE,SOLENOID N/O (LONG)***.....	1
		<i>required for first time replacement of older rotators; includes hydraulic rotator part number 94397,manifold part number 73807 and shaft adapter 77877; to SN 2546</i>				<i>long valve for previous manifold 30228</i>	
--	122944	SEAL KIT,8K ROTATOR*** <i>for rotator 94397</i>		32B	83005	VALVE, SOLENOID (73616)-SHORT.....	1
--	13852	VALVE ASSY,BLEED***.....	1			<i>short valve for manifold 73616</i>	
--	31498	BEARING KIT,ROTATOR,9K***.....	1	--	83006	VALVE, SOLENOID (73616)-LONG**.....	1
--	62417	SEAL KIT,PLAT ROTATE***.....	1			<i>long valve for manifold 73616</i>	
		<i>for rotators 73498</i>		33	62273	COIL,GREEN W/ 2 PIN CONNECTOR*.....	2
						<i>for vavles 62267 and 62262</i>	

607.1 Jib Boom and Platform Rotator (to SN 2704)
 (continued)

Item	Part No.	Description	Qty.
--	81043	COIL,SOLENOID,8 DSD 10V,W/DIO.....2 <i>for valves 83005 and 83006</i>	
34	45912	NUT,SOLENOID,2POS 3WAY.....1 <i>for valves 62262 and 83006</i>	
--	19792	NUT,SOLENOID VALVE.....1 <i>for valves 62267 and 83005</i>	

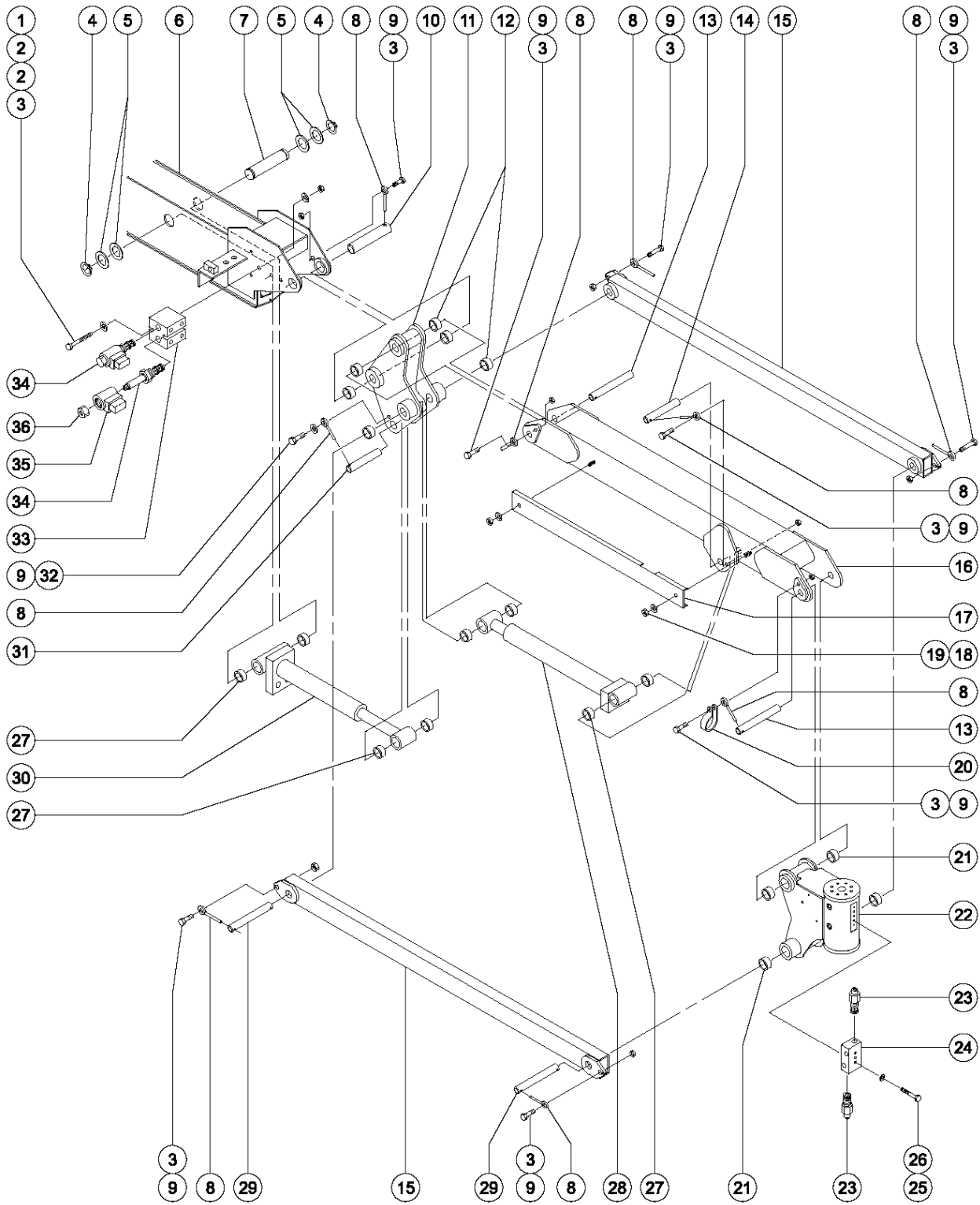
Footnotes

1: Quantity listed for this item is approximate.
 Actual quantity may vary to ensure proper fit.

607.1 Jib Boom and Platform Rotator (to SN 2704)
(continued)

This Page Intentionally Left Blank

607.2 Jib Boom and Platform Rotator (from SN 2705)



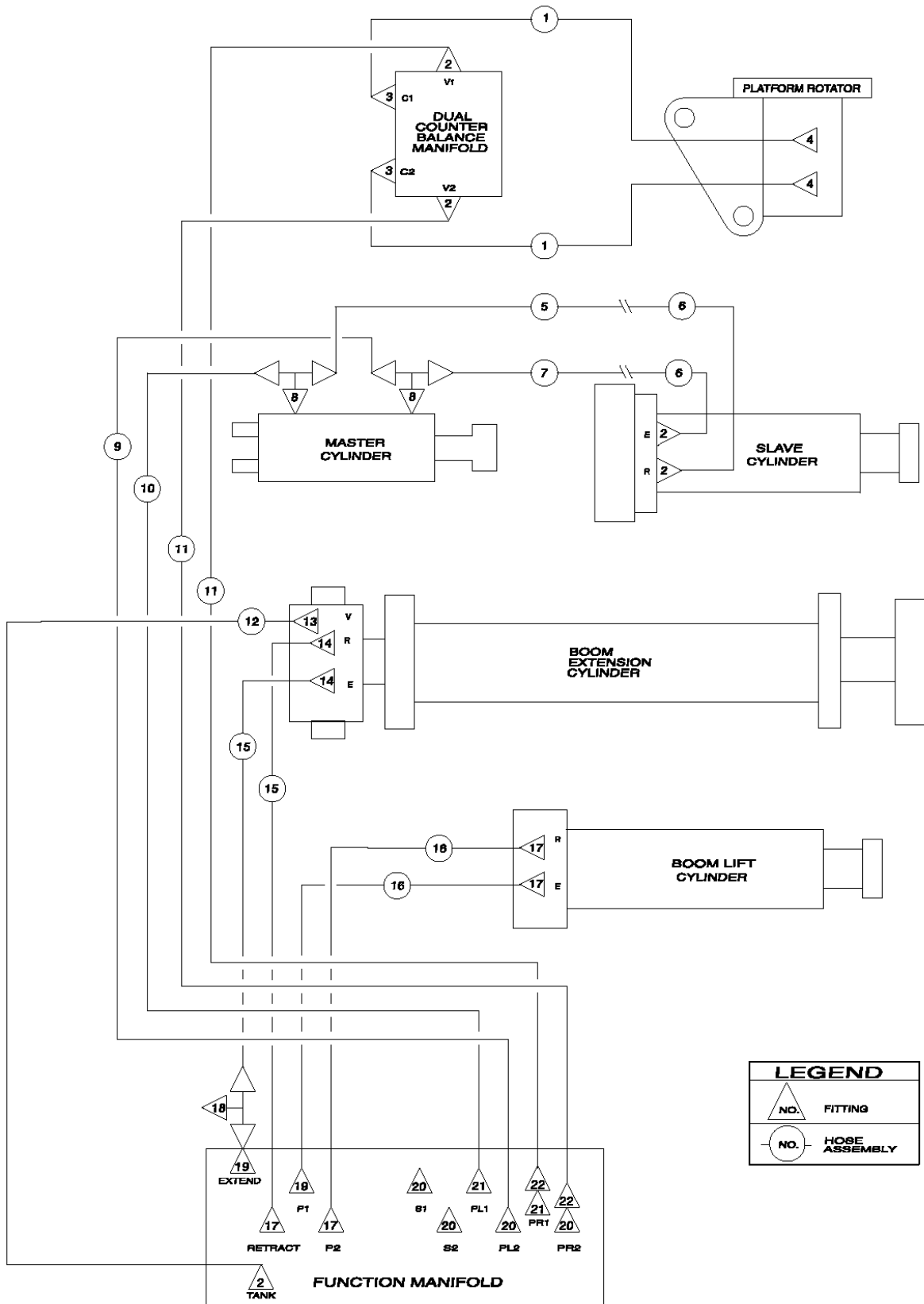
607.2 Jib Boom and Platform Rotator (from SN 2705)

Item	Part No.	Description	Qty.	Item	Part No.	Description	Qty.
1	21604	SCREW,HHC,3/8-16 X 3.25.....	2	26	6356	WASHER,LOCK,.25.....	3
2	54355	WASHER,FLAT,SAE,3/8",Y.....	2	27	25683	BEARING,POLYGON,20DU12.....	8
3	4828	NUT,NYLOCK,3/8-16.....	8	28	63213	CYLINDER,JIB (STICK BOOMS).....	1
4	824164	SNAP RING,EXTERNAL,1.25,ZAG.....	2	--	33428	VALVE,COUNTERBALANCE.....	1
5	30255	WASHER,SHIM,1.27 X 2.13 X .062.....	4	--	63353	SEAL KIT,CYL,S65 (63213).....	1
		1		29	81175	PIN,1.25DIAX14.45LG,2HOLE.....	2
6	227150	ASSY,S80/85 #3 BOOM TUBE.....	1	30	63210	CYLINDER,SLAVE,3 X 11.38***.....	1
7	T108079	PIN,1.25DIAX8.30LG,2RING.....	1	--	43018	SEAL KIT (39345)	
8	45226	ROD END,.375 X 3.69.....	7	--	43169	VALVE,COUNTERBALANCE*** <i>for blue cylinder</i>	
9	8516	SCREW,HHC,3/8-16 X 1.50,GR5.....	8	--	59267	VALVE,COUNTERBALCACG-LGN@3500.1 <i>for black cylinder</i>	
10	T108078	PIN,1.25DIAX9.50LG,1HOLE.....	1	--	63350	SEAL KIT,CYL (63210).....	2
11	89801	BELLCRANK ASSY W/BEARINGS.....	1	31	T108075	PIN,1.25DIAX5.25LG,1HOLE.....	1
		<i>includes index number 11</i>		32	6021	WASHER,LOCK,.375.....	1
12	35675	BEARING,FL,1.25IDX1.5ODX1.25L.6		33	73616	MANIFOLD,JIB SELECT***.....	1
13	T108076	PIN,1.25DIAX7.88LG,1HOLE.....	2	34A	29066	VALVE,SOLENOID,10V,2POS 3WAY**.....	2
14	T108077	PIN,1.25DIAX7.00LG,1HOLE.....	1			<i>to SN 2744</i>	
15	30945	WELDMENT,COMPRESSION MEMBER.....	2	34B	83005	VALVE, SOLENOID (73616)-SHORT.....	1
16		SERVICE KIT, 5FT JIB.....	1			<i>short valve; from SN 2745</i>	
		<i>see section 610.1 for jib detail</i>		--	83006	VALVE, SOLENOID (73616)-LONG**.....	1
17	54527-S	CABLE COVER,JIB***.....	1			<i>long valve; from SN 2745</i>	
18	6091	NUT,NYLOCK,1/4-20.....	4	35	27814	COIL,SOLENOID,10V.....	2
19	6638	WASHER,FLAT,USS,1/4"Y.....	2			<i>for valve 29066; from SN 2705 to SN 2744</i>	
20	32339	CLAMP,1.75,#28 X 3/8,RUB CUSH*.....	1	--	81043	COIL,SOLENOID,8 DSD 10V,W/DIO.....	2
21	30219	BEARING,FL,1.25ID X 1.41OD X 1.....	4			<i>for valves 83005 and 83006; from SN 2745</i>	
22	94397	ROTATOR,PLAT JIB,160 DEG***.....	1	36	45912	NUT,SOLENOID,2POS 3WAY.....	1
		<i>replaces rotator item 60505</i>				<i>for valves 29066 and 83006</i>	
--	122944	SEAL KIT,8K ROTATOR*** <i>for rotator 94397</i>		--	19792	NUT,SOLENOID VALVE.....	1
--	62417	SEAL KIT,PLAT ROTATE***.....	1			<i>for valve 83005 only</i>	
		<i>for rotator 60505 and 73498</i>					
--	75395	BEARING KIT,PLAT ROTATOR,SUPER.....	1				
		<i>for rotator 94397 and 60505</i>					
23	62506	VALVE - COUNTERBALANCE**.....	2				
24	73807	MANIFOLD,ROTATOR,CB***.....	1				
		<i>includes index number 23</i>					
25	6145	SCREW,HHC,1/4-20 X 1.5.....	2				

Footnotes

1: Quantity listed for this item is approximate. Actual quantity may vary to ensure proper fit.

608.1 Hydraulic Hoses and Fittings - Boom Components (to SN 2704)



LEGEND	
	FITTING
	HOSE ASSEMBLY

608.1 Hydraulic Hoses and Fittings - Boom Components (to SN 2704)

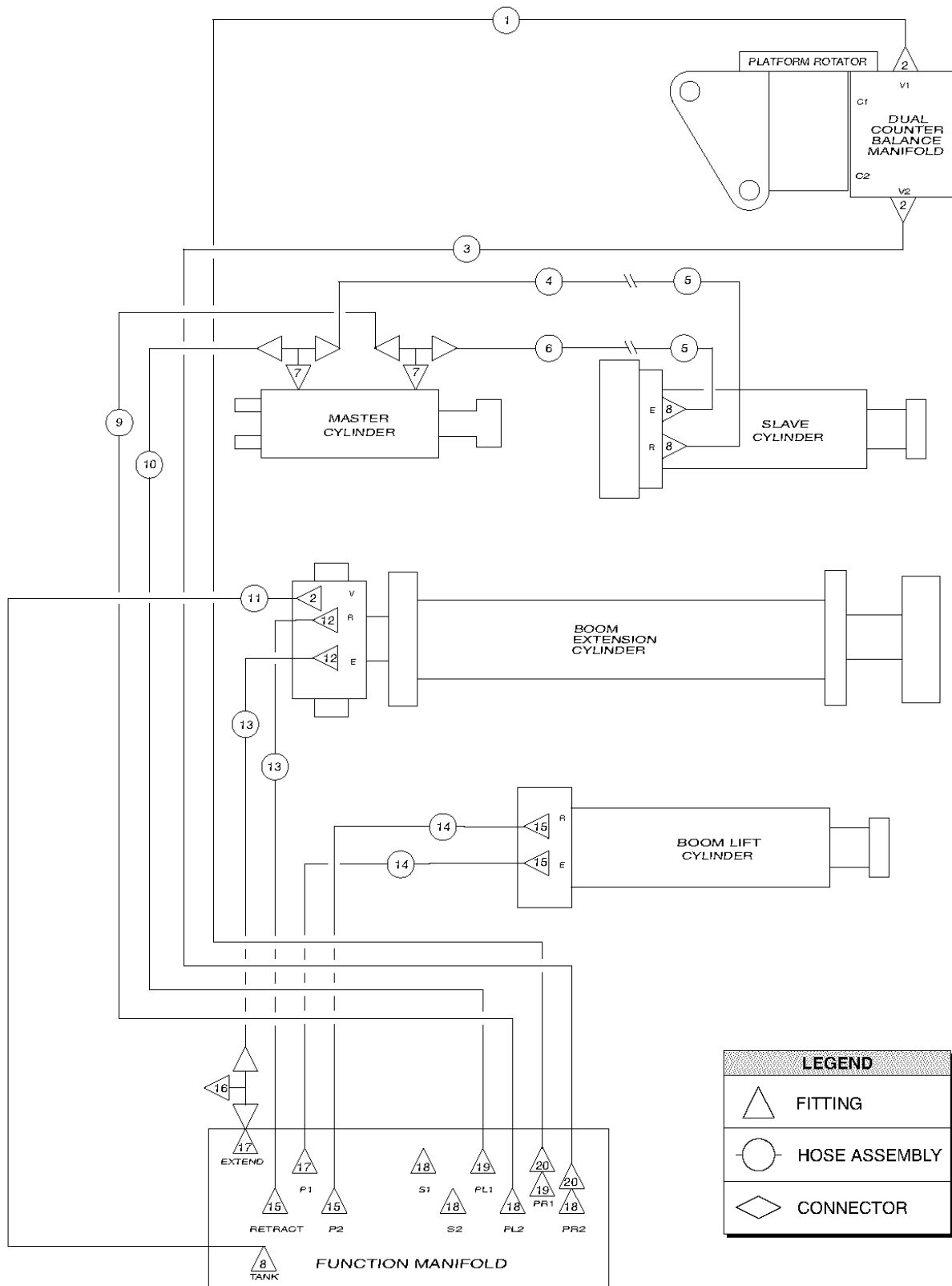
Item	Part No.	Description	Qty.
--	49612	O-RING KIT (ORFS FITTINGS)	
--	49613	PLUG AND CAP KIT-SERVICE,ORFS*	
1	49119-2603	HOSE ASSY,1/4,STR FEM,STR FEM.....	2
		1	
2	48912	CONN,520120-4-6***	5
3	48911	ELBOW,90D,520220-4-6***	2
4	48886	CONNECTOR,520120-4 SPEC	2
5	49118-100400	HOSE ASSEMBLY,1/4"	1
		2	
6	49184-2451	HOSE ASSEMBLY,1/4"	2
		3	
7	49118-100000	HOSE ASSEMBLY,1/4"	1
		4	
8	48919	TEE,BRANCH,520429-6	2
9	49122-14036	HOSE ASSEMBLY,1/4"	1
		5	
10	49122-13261	HOSE ASSEMBLY,1/4"	1
		5	
11	49163-107000	HOSE ASSEMBLY,1/4"	2
		6	
12	49117-15416	HOSE ASSY,1/4,90 FEM,STR FEM.....	1
		7	
13	48907	ELBOW,45D,520320-4	1
14	48937	ELBOW,45D,520320-8	2
15	49109-15854	HOSE ASSY,1/2,90 FEM,STR FEM.....	2
		8	
16	49109-8204	HOSE ASSY,1/2,90 FEM,STR FEM.....	2
		8	
17	48933	CONN,520120-8***	4
18	48938	FITTING,TEE,RUN,SWIVEL520432-8.1	
19	48934	CONN,LONG,520122-8	2
20	48916	FITTING,CONN,520120-6	4
21	48917	CONN,LONG,520122-6	2
22	48892	ELBOW,SWIVEL 90D, 520221-6	2

Item	Part No.	Description	Qty.
------	----------	-------------	------

Footnotes

- 1:** Hose End - Female, Swivel, ORFS (Parker No. 1JC43-4), Hose End - Female, Swivel, ORFS (Parker No. 1JC43-4) and Hose, 1/4 inch (Parker No. 451TC-4)
- 2:** Hose End - Female, Swivel, ORFS (Parker No. 1JC43-4), Hose End - Female, Swivel, 90°, ORFS (Parker No. 1J943-6-4) and Hose, 1/4 inch (Parker No. 451TC-4)
- 3:** Hose End - Female, Swivel, ORFS (Parker No. 1JC43-4), Hose End - Male, ORFS (Parker No. 1JM43-4) and Hose, 1/4 inch (Parker No. 451TC-4)
- 4:** Hose End - Female, Swivel, 90°, ORFS (Parker No. 1J943-4), Hose End - Female, Swivel, 90°, ORFS (Parker No. 1J943-6-4) and Hose, 1/4 inch (Parker No. 451TC-4)
- 5:** Hose End - Female, Swivel, ORFS (Parker No. 1JC43-6-4), Hose End - Female, Swivel, 90°, ORFS (Parker No. 1J943-6-4) and Hose, 1/4 inch (Parker No. 451TC-4)
- 6:** Hose End - Female, Swivel, 90°, ORFS (Parker No. 1J943-4), Hose End - Female, Swivel, ORFS (Parker No. 1JC43-6-4) and Hose, 1/4 inch (Parker No. 451TC-4)
- 7:** Hose End - Female, Swivel, ORFS (Parker No. 1JC43-4), Hose End - Female, Swivel, 90°, ORFS (Parker No. 1J943-4) and Hose, 1/4 inch (Parker No. 451TC-4)
- 8:** Hose End - Female, Swivel, ORFS (Parker No. 1JC43-8), Hose End - Female, Swivel, 90°, ORFS (Parker No. 1J943-8) and Hose, 1/2 inch (Parker No. 381-8)

608.2 Hydraulic Hoses and Fittings - Boom Components (from SN 2705)



LEGEND	
	FITTING
	HOSE ASSEMBLY
	CONNECTOR

608.2 Hydraulic Hoses and Fittings - Boom Components (from SN 2705)

Item	Part No.	Description	Qty.
--	49612	O-RING KIT (ORFS FITTINGS)	
--	49613	PLUG AND CAP KIT-SERVICE,ORFS*	
1	49120-107081	HOSE ASSEMBLY, 1/4".....	1
		1	
2	48907	ELBOW,45D,520320-4.....	2
3	49163-107000	HOSE ASSEMBLY,1/4".....	2
		2	
4	49118-100400	HOSE ASSEMBLY,1/4".....	1
		3	
5	49184-2451	HOSE ASSEMBLY,1/4".....	2
		4	
6	49118-100000	HOSE ASSEMBLY,1/4".....	1
		5	
7	48919	TEE,BRANCH,520429-6.....	2
8	48912	CONN,520120-4-6***.....	2
9	49122-14036	HOSE ASSEMBLY,1/4".....	1
		6	
10	49122-13261	HOSE ASSEMBLY,1/4".....	1
		6	
11	49117-15416	HOSE ASSY,1/4,90 FEM,STR FEM.....	1
		7	
12	48937	ELBOW,45D,520320-8.....	2
13	49109-15854	HOSE ASSY,1/2,90 FEM,STR FEM.....	2
		8	
14	49109-8204	HOSE ASSY,1/2,90 FEM,STR FEM.....	2
		8	
15	48933	CONN,520120-8***.....	4
16	48938	FITTING,TEE,RUN,SWIVEL520432-8.1	
17	48934	CONN,LONG,520122-8.....	2
18	48916	FITTING,CONN,520120-6.....	4
19	48917	CONN,LONG,520122-6.....	2
20	48892	ELBOW,SWIVEL 90D, 520221-6.....	2

Item	Part No.	Description	Qty.
------	----------	-------------	------

Footnotes

1: Hose End - Female, Swivel, ORFS (Parker No. 1JC43-4), Hose End - Female, Swivel, ORFS (Parker No. 1JC43-6-4) and Hose, 1/4 inch (Parker No. 451TC-4)

2: Hose End - Female, Swivel, 90°, ORFS (Parker No. 1J943-4), Hose End - Female, Swivel, ORFS (Parker No. 1JC43-6-4) and Hose, 1/4 inch (Parker No. 451TC-4)

3: Hose End - Female, Swivel, ORFS (Parker No. 1JC43-4), Hose End - Female, Swivel, 90°, ORFS (Parker No. 1J943-6-4) and Hose, 1/4 inch (Parker No. 451TC-4)

4: Hose End - Female, Swivel, ORFS (Parker No. 1JC43-4), Hose End - Male, ORFS (Parker No. 1JM43-4) and Hose, 1/4 inch (Parker No. 451TC-4)

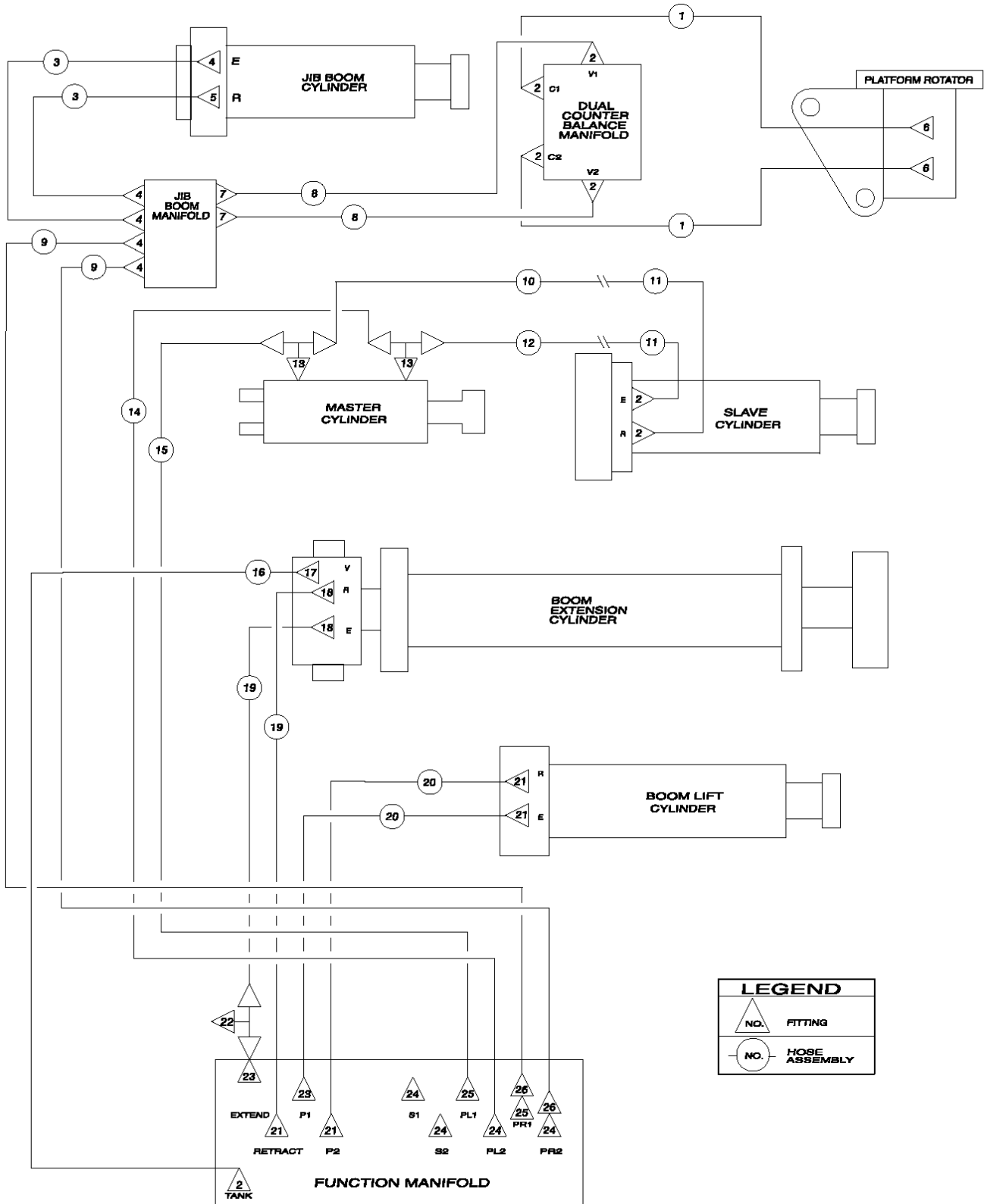
5: Hose End - Female, Swivel, 90°, ORFS (Parker No. 1J943-4), Hose End - Female, Swivel, 90°, ORFS (Parker No. 1J943-6-4) and Hose, 1/4 inch (Parker No. 451TC-4)

6: Hose End - Female, Swivel, ORFS (Parker No. 1JC43-6-4), Hose End - Female, Swivel, 90°, ORFS (Parker No. 1J943-6-4) and Hose, 1/4 inch (Parker No. 451TC-4)

7: Hose End - Female, Swivel, ORFS (Parker No. 1JC43-4), Hose End - Female, Swivel, 90°, ORFS (Parker No. 1J943-4) and Hose, 1/4 inch (Parker No. 451TC-4)

8: Hose End - Female, Swivel, ORFS (Parker No. 1JC43-8), Hose End - Female, Swivel, 90°, ORFS (Parker No. 1J943-8) and Hose, 1/2 inch (Parker No. 381-8)

609.1 Hydraulic Hoses and Fittings - Boom Components (to SN 2704)



609.1 Hydraulic Hoses and Fittings - Boom Components (to SN 2704)

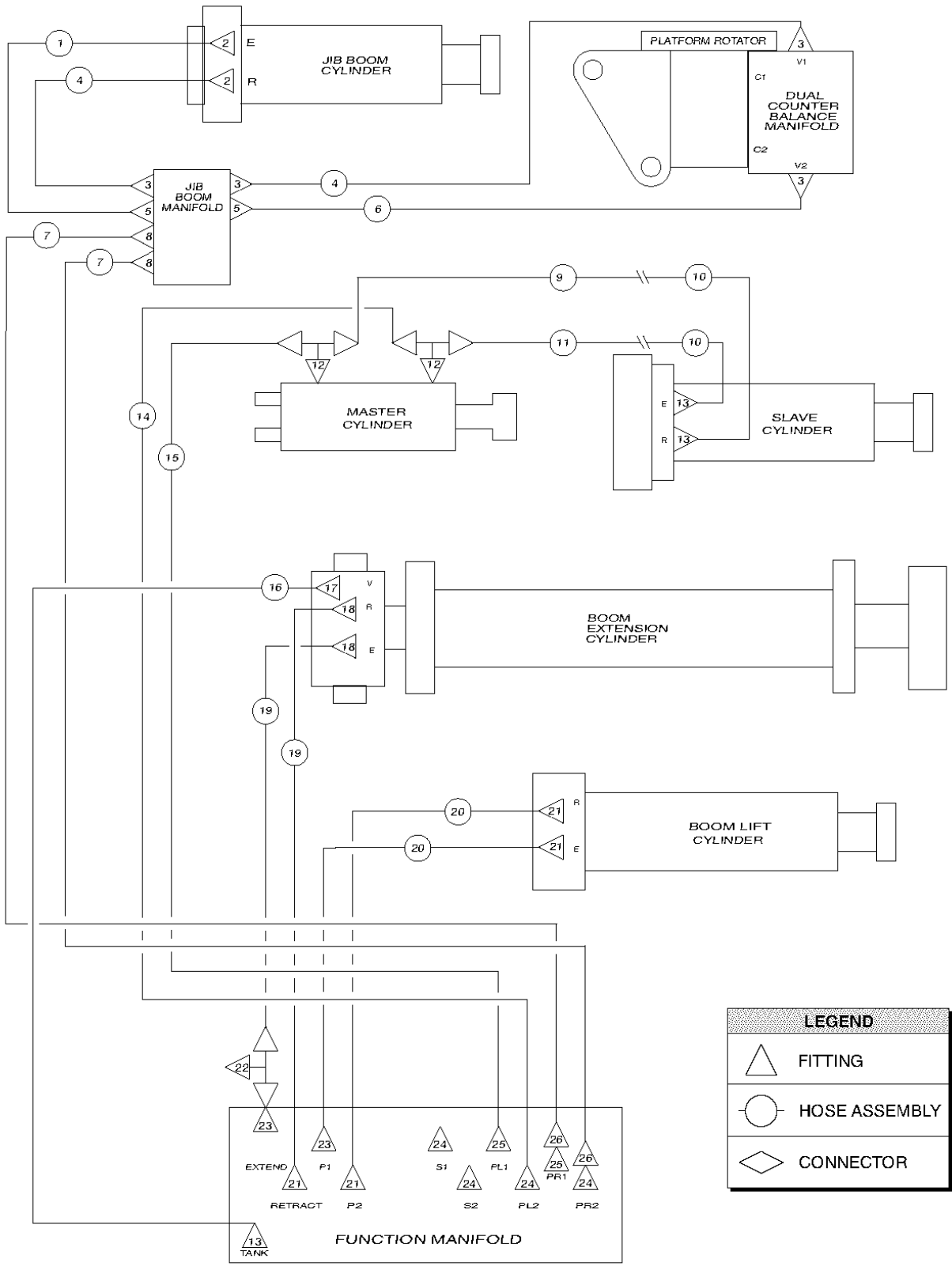
Item	Part No.	Description	Qty.
--	49612	O-RING KIT (ORFS FITTINGS)	
--	49613	PLUG AND CAP KIT-SERVICE,ORFS*	
1	49119-1703	HOSE ASSY,1/4,STR FEM,STR FEM.....1	1
2	48911	ELBOW,90D,520220-4-6***.....7	7
3	49117-8616	HOSE ASSY,1/4,90 FEM,STR FEM.....2	2
4	48912	CONN,520120-4-6***.....5	5
5	48900	CONN,520120-4-6,.035,ORI.....1	1
6	48886	CONNECTOR,520120-4 SPEC.....2	2
7	48913	CONN,520120-4-6,.030 ORI.....2	2
8	49116-8662	HOSE ASSY,1/4,45 FEM,STR FEM.....2	2
9	49163-107000	HOSE ASSEMBLY,1/4".....2	2
10	49118-100400	HOSE ASSEMBLY,1/4".....1	1
11	49184-2451	HOSE ASSEMBLY,1/4".....2	2
12	49118-100000	HOSE ASSEMBLY,1/4".....1	1
13	48919	TEE,BRANCH,520429-6.....2	2
14	49122-14036	HOSE ASSEMBLY,1/4".....1	1
15	49122-13261	HOSE ASSEMBLY,1/4".....1	1
16	49117-15416	HOSE ASSY,1/4,90 FEM,STR FEM.....1	1
17	48907	ELBOW,45D,520320-4.....1	1
18	48937	ELBOW,45D,520320-8.....2	2
19	49109-15854	HOSE ASSY,1/2,90 FEM,STR FEM.....2	2
20	49109-8204	HOSE ASSY,1/2,90 FEM,STR FEM.....2	2

Item	Part No.	Description	Qty.
21	48933	CONN,520120-8***.....4	4
22	48938	FITTING,TEE,RUN,SWIVEL520432-8.1	
23	48934	CONN,LONG,520122-8.....2	2
24	48916	FITTING,CONN,520120-6.....4	4
25	48917	CONN,LONG,520122-6.....2	2
26	48892	ELBOW,SWIVEL 90D, 520221-6.....2	2

Footnotes

- 1:** Hose End - Female, Swivel, ORFS (Parker No. 1JC43-4), Hose End - Female, Swivel, ORFS (Parker No. 1JC43-4) and Hose, 1/4 inch (Parker No. 451TC-4)
- 2:** Hose End - Female, Swivel, ORFS (Parker No. 1JC43-4), Hose End - Female, Swivel, 90°, ORFS (Parker No. 1J943-6-4) and Hose, 1/4 inch (Parker No. 451TC-4)
- 3:** Hose End - Female, Swivel, ORFS (Parker No. 1JC43-4), Hose End - Female, Swivel, 45°, ORFS (Parker No. 1J743-4) and Hose, 1/4 inch (Parker No. 451TC-4)
- 4:** Hose End - Female, Swivel, 90°, ORFS (Parker No. 1J943-4), Hose End - Female, Swivel, ORFS (Parker No. 1JC43-6-4) and Hose, 1/4 inch (Parker No. 451TC-4)
- 5:** Hose End - Female, Swivel, ORFS (Parker No. 1JC43-4), Hose End - Male, ORFS (Parker No. 1JM43-4) and Hose, 1/4 inch (Parker No. 451TC-4)
- 6:** Hose End - Female, Swivel, ORFS (Parker No. 1JC43-6-4), Hose End - Female, Swivel, 90°, ORFS (Parker No. 1J943-6-4) and Hose, 1/4 inch (Parker No. 451TC-4)
- 7:** Hose End - Female, Swivel, ORFS (Parker No. 1JC43-4), Hose End - Female, Swivel, 90°, ORFS (Parker No. 1J943-4) and Hose, 1/4 inch (Parker No. 451TC-4)
- 8:** Hose End - Female, Swivel, ORFS (Parker No. 1JC43-8), Hose End - Female, Swivel, 90°, ORFS (Parker No. 1J943-8) and Hose, 1/2 inch (Parker No. 381-8)

609.2 Hydraulic Hoses and Fittings - Boom Components (from SN 2705)



LEGEND	
	FITTING
	HOSE ASSEMBLY
	CONNECTOR

609.2 Hydraulic Hoses and Fittings - Boom Components (from SN 2705)

Item	Part No.	Description	Qty.
--	49612	O-RING KIT (ORFS FITTINGS)	
--	49613	PLUG AND CAP KIT-SERVICE,ORFS*	
1	49116-8037	HOSE ASSY,1/4,45 FEM,STR FEM.....1	1
2	48912	CONN,520120-4-6***.....2	2
3	48907	ELBOW,45D,520320-4.....4	4
4	49119-8178	HOSE ASSY,1/4,STR FEM,STR FEM.....2	2
5	48905	CONN,520120-4***.....2	2
6	49116-8237	HOSE ASSY,1/4,45 FEM STR FEM.....1	1
7	49120-107081	HOSE ASSEMBLY, 1/4".....2	2
8	48904	ELBOW,90D,520220-4-4.....2	2
9	49118-100400	HOSE ASSEMBLY,1/4".....1	1
10	49184-2451	HOSE ASSEMBLY,1/4".....2	2
11	49118-100000	HOSE ASSEMBLY,1/4".....1	1
12	48919	TEE,BRANCH,520429-6.....2	2
13	48911	ELBOW,90D,520220-4-6***.....3	3
14	49122-14036	HOSE ASSEMBLY,1/4".....1	1
15	49122-13261	HOSE ASSEMBLY,1/4".....1	1
16	49117-15416	HOSE ASSY,1/4,90 FEM,STR FEM.....1	1
18	48937	ELBOW,45D,520320-8.....2	2
19	49109-15854	HOSE ASSY,1/2,90 FEM,STR FEM.....2	2
20	49109-8204	HOSE ASSY,1/2,90 FEM,STR FEM.....2	2

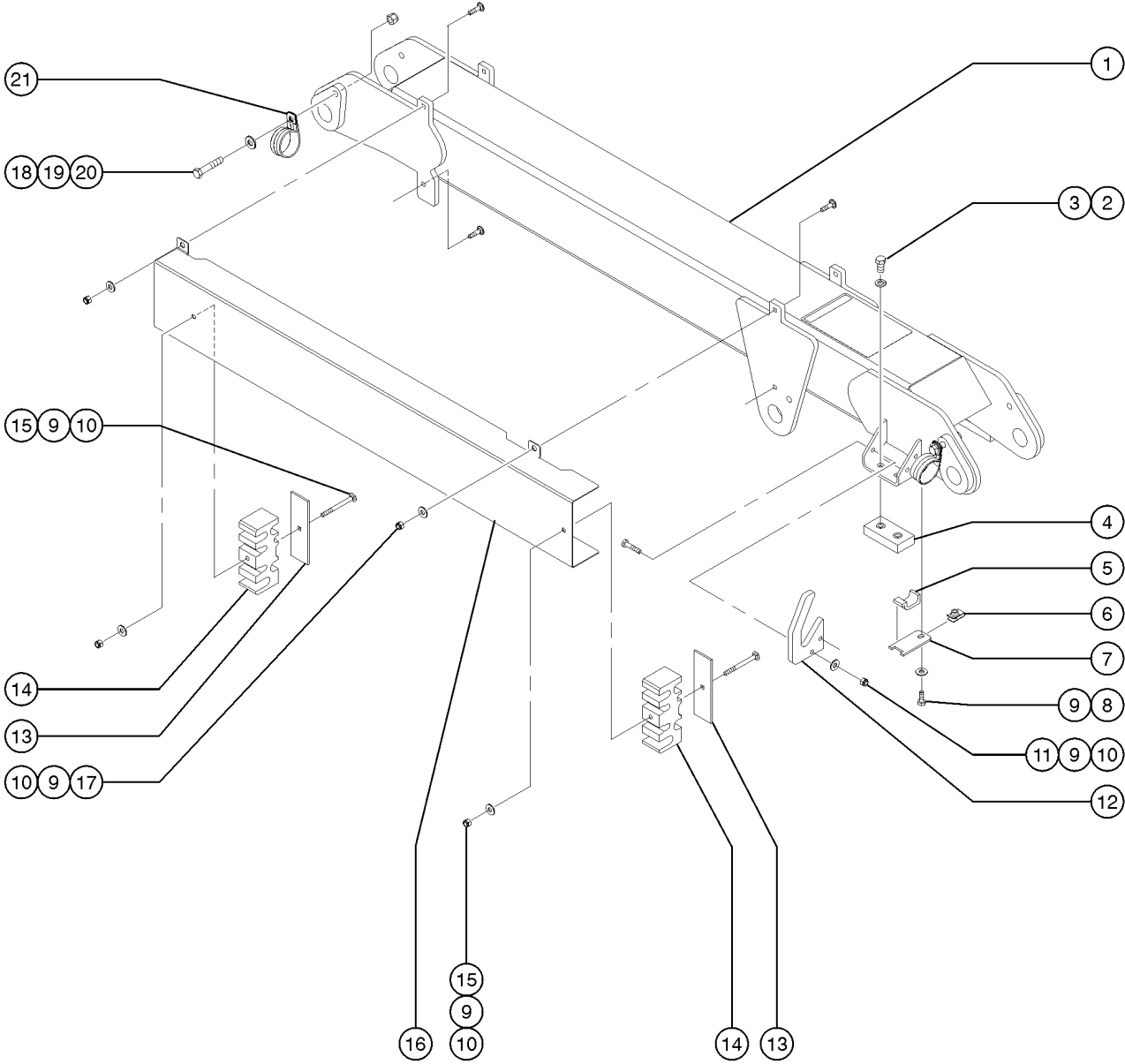
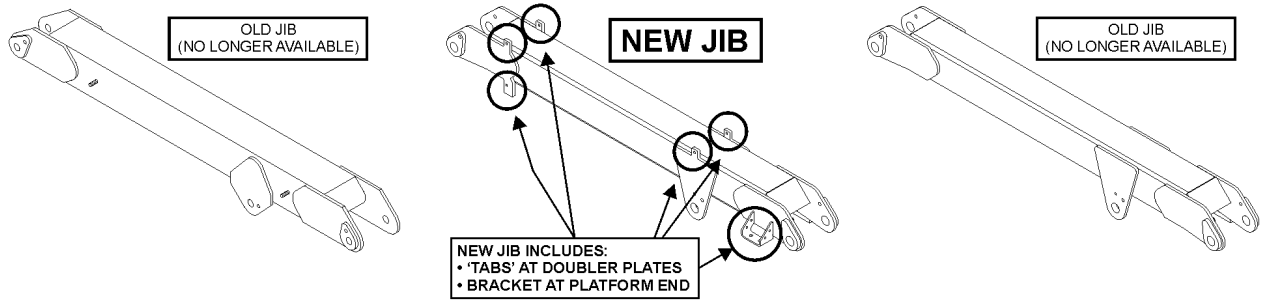
Item	Part No.	Description	Qty.
21	48933	CONN,520120-8***.....4	4
22	48938	FITTING,TEE,RUN,SWIVEL520432-8.1	
23	48934	CONN,LONG,520122-8.....2	2
24	48916	FITTING,CONN,520120-6.....4	4
25	48917	CONN,LONG,520122-6.....2	2
26	48892	ELBOW,SWIVEL 90D, 520221-6.....2	2

Footnotes

- 1:** Hose End - Female, Swivel, ORFS (Parker No. 1JC43-4), Hose End - Female, Swivel, 45°, ORFS (Parker No. 1J743-4) and Hose, 1/4 inch (Parker No. 451TC-4)
- 2:** Hose End - Female, Swivel, ORFS (Parker No. 1JC43-4), Hose End - Female, Swivel, ORFS (Parker No. 1JC43-4) and Hose, 1/4 inch (Parker No. 451TC-4)
- 3:** Hose End - Female, Swivel, ORFS (Parker No. 1JC43-4), Hose End - Female, Swivel, ORFS (Parker No. 1JC43-6-4) and Hose, 1/4 inch (Parker No. 451TC-4)
- 4:** Hose End - Female, Swivel, ORFS (Parker No. 1JC43-4), Hose End - Female, Swivel, 90°, ORFS (Parker No. 1J943-6-4) and Hose, 1/4 inch (Parker No. 451TC-4)
- 5:** Hose End - Female, Swivel, ORFS (Parker No. 1JC43-4), Hose End - Male, ORFS (Parker No. 1JM43-4) and Hose, 1/4 inch (Parker No. 451TC-4)
- 6:** Hose End - Female, Swivel, ORFS (Parker No. 1JC43-6-4), Hose End - Female, Swivel, 90°, ORFS (Parker No. 1J943-6-4) and Hose, 1/4 inch (Parker No. 451TC-4)
- 7:** Hose End - Female, Swivel, ORFS (Parker No. 1JC43-4), Hose End - Female, Swivel, 90°, ORFS (Parker No. 1J943-4) and Hose, 1/4 inch (Parker No. 451TC-4)
- 8:** Hose End - Female, Swivel, ORFS (Parker No. 1JC43-8), Hose End - Female, Swivel, 90°, ORFS (Parker No. 1J943-8) and Hose, 1/2 inch (Parker No. 381-8)

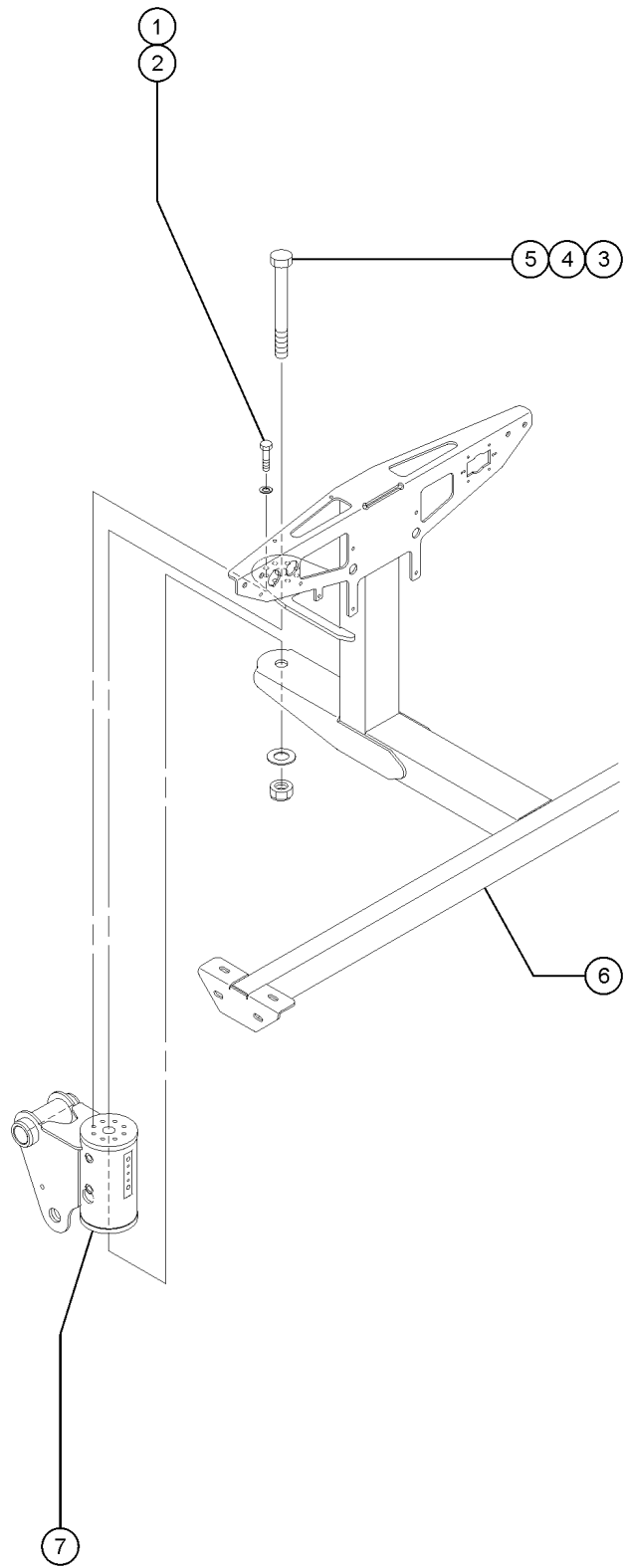
610.1 Jib Detail

NOTE: THE OLDER JIB HAS BEEN REPLACED. SEE BELOW FOR CHANGES.



Item	Part No.	Description	Qty.
1	128513	SERVICE KIT,5FT JIB <i>required for first time replacement (includes part number 128534)</i>	
--	128515	SERVICE KIT, 5FT JIB, ARCTIC <i>Arctic option, required for first time replacement</i>	
--	128534	JIB BOOM ASSY W/WORD DECAL.....1 <i>use ONLY if service kit 128513 has been installed on the machine</i>	1
2	8255	SCREW,HHC,3/8-16 X .75	
3	6021	WASHER,LOCK,.375	
4	81640	WEAR PAD,3 X 1.5 X.625 W/NUTS.....1	1
5	119542	CLAMP,TWO HOSE.....1	1
6	56912	SPRING CLIP,1/4-20,.025-.15X.5.....1	1
7	119536	BRACKET,HOSE CLAMP.....1	1
8	6090	SCREW,HHC,1/4-20 X .75	
9	6638	WASHER,FLAT,USS,1/4"Y	
10	6091	NUT,NYLOCK,1/4-20	
11	8915	SCREW,HHC,1/4-20 X 1.25	
12	128482	HOSE GUIDE, JIB.....1	1
13	128483	BACKING PLATE, HOSE BLOCK, JIB.....2	2
14	128501	CLAMP,JIB HOSE/CABLE.....2	2
--	128519	CLAMP,JIB HOSE/CABLE,ARCTIC <i>(part of the Arctic hose option)</i>	
15	128724	BOLT,CARRIAGE,1/4-20 X 2.75,G2	
16	128454P	COVER, JIB HOSES/CABLES.....1	1
17	79456	BOLT,CARRIAGE,1/4-20 X 1.00,G2	
18	5224	SCREW,HHC,3/8-16 X 2	
19	5397	WASHER,FLAT,USS,5/16",Y	
20	4828	NUT,NYLOCK,3/8-16	
21	77181	CLAMP,1.63,#26 X 3/8,RUB CUSH.....2	2

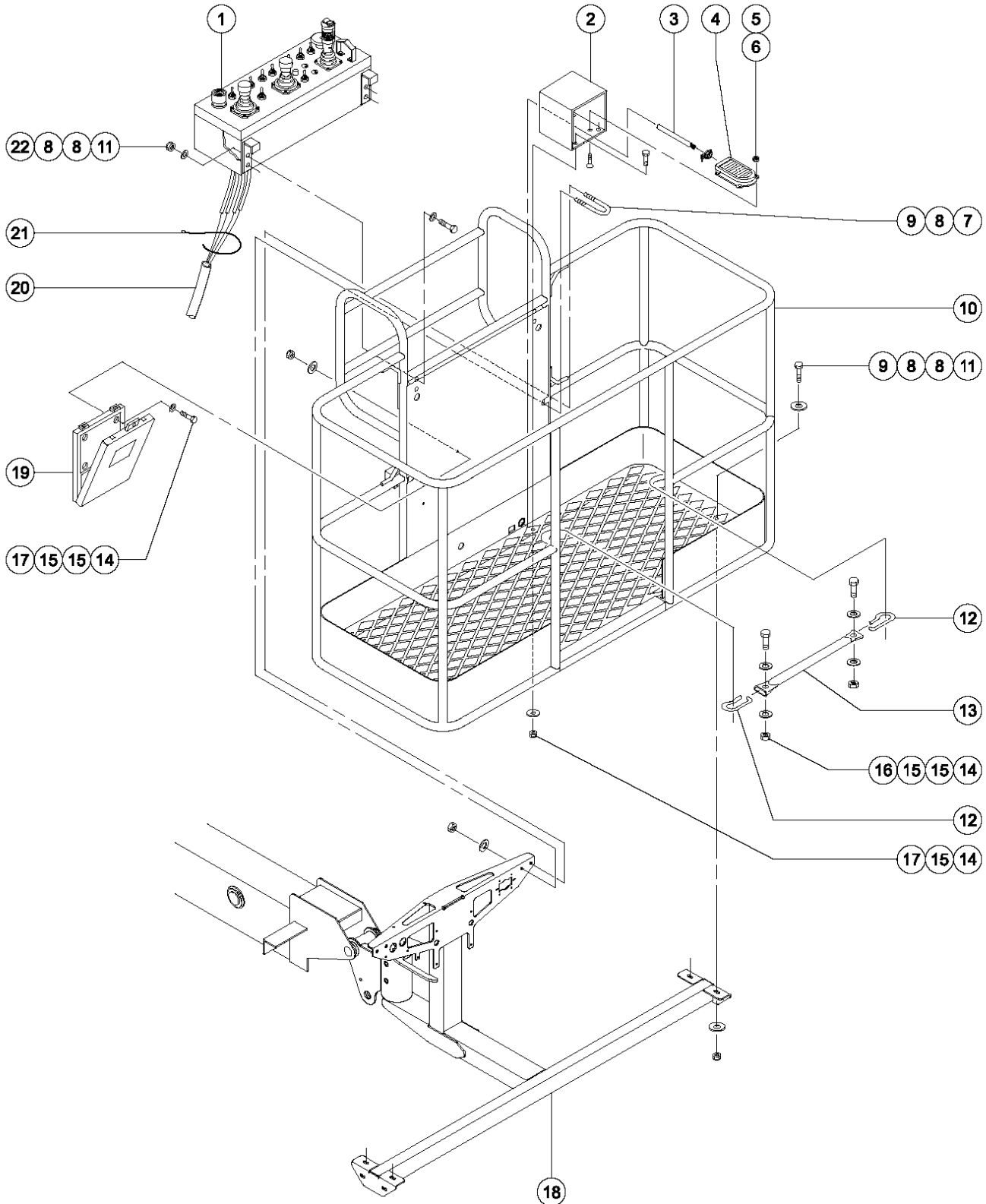
611.1 Platform Installation



611.1 Platform Installation

Item	Part No.	Description	Qty.
1	10597	SCREW,HHC,1/2-13 X 1.25 GR5.....6 <i>USE WITH ROTATOR PART NO 30947; to SN 2546</i>	
--	49857	SCREW,HHC,3/8-16 X .88,GRD 8...8 <i>USE WITH ROTATOR PART NO 94397</i>	
--	6175	SCREW,HHC,3/8-16 X 1.....8 <i>USE WITH ROTATOR PART NO 77875, 73498, 73498, and 60505; from SN 2547</i>	
2	6033	WASHER,LOCK,0.5".....6 <i>USE WITH ROTATOR PART NO 30947; to SN 2546</i>	
--	6097	WASHER,FLAT,USS,3/8",Y.....8 <i>from SN 2547</i>	
3	30286	SCREW,HHC,1-8 X 12IN GRD.2***.....1 <i>to SN 2546</i>	
--	73928	SCREW,HHC,1-8 X 11,GRD 5***.....1 <i>from SN 2547</i>	
4	13775	WASHER,FLAT,1.063 X 2 X .134.....1 <i>to SN 2546</i>	
--	38859	WASHER,FLAT,USS,1",Y.....1 <i>from SN 2547</i>	
5	29764	NUT,NYLOCK,1-8.....1	
6		Ref. Platform Mount (refer to 701.1 or 701.2)	
7		Ref. Platform Rotator (refer to 607.1 or 607.2)	

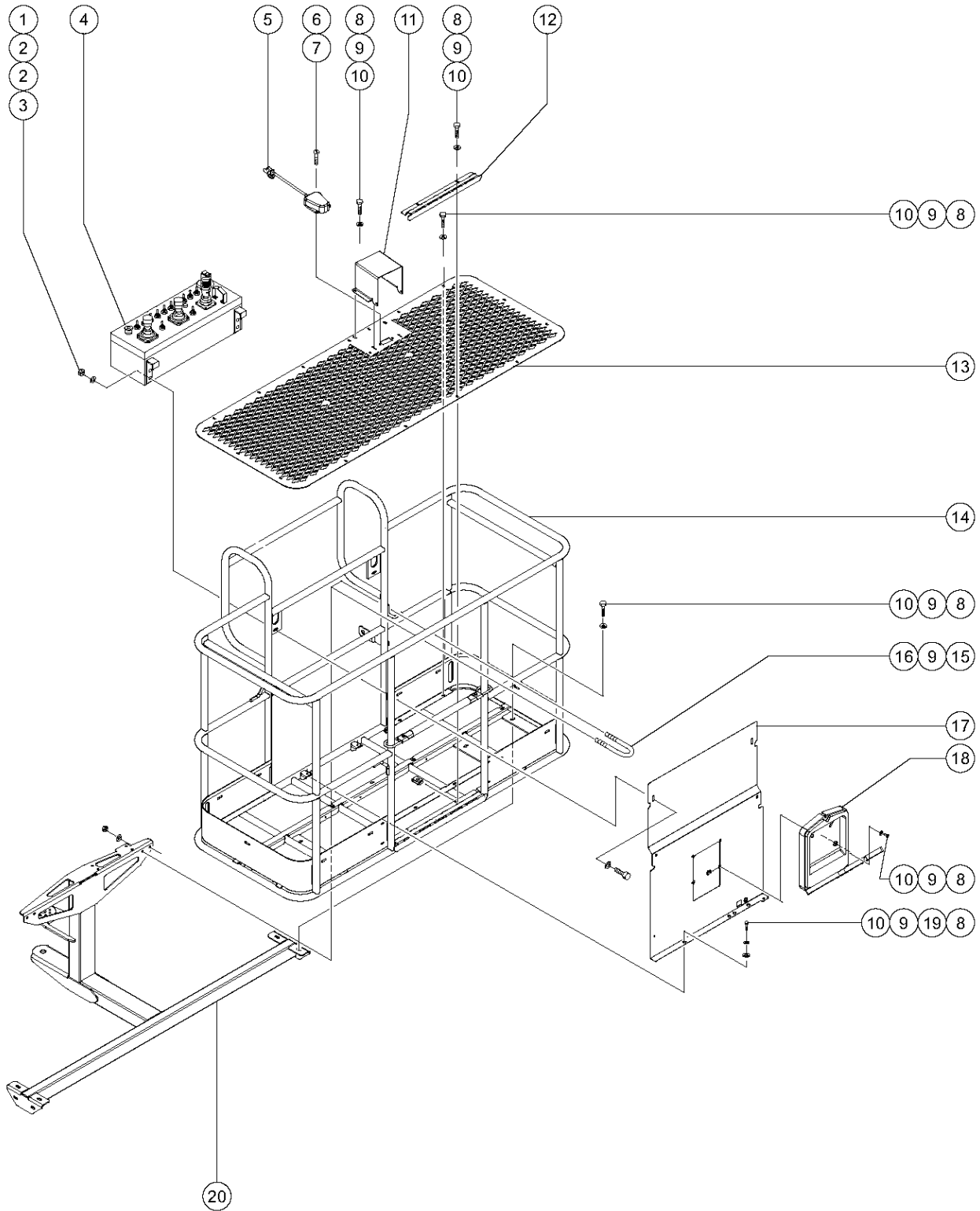
701.1 Platform Installation (to SN 2848)



701.1 Platform Installation (to SN 2848)

Item	Part No.	Description	Qty.	Item	Part No.	Description	Qty.
1		Ref. Platform Controls (refer to Figures 702.1 or 703.1)		16	8915	SCREW,HHC,1/4-20 X 1.25.....	2
2	32710	GUARD,FOOTSWITCH,W/DECAL STEEL.....	1	17	6888	SCREW,HHC,1/4-20 X 1.....	4
3	43960	WIRE CABLE,16/4 CON.TPE JKT.....	159-inches	18	50144-S	PLATFORM SUPPORT WELDMNT***.....	1
4	13482	FOOT SWITCH***.....	1			<i>to SN 2547</i>	
--	20262	MICROSWITCH,13482 FOOTSWITCH.....	1	--	60370-S	PLATFORM SUPPORT WELDMNT-SERV*.....	1
5	6178	NUT,NYLOCK,10-32.....	2			<i>from SN 2548</i>	
6	17626	SCREW,FHM,10-32 X .75.....	2	19	44743	MANUAL BOX W/DECALS***.....	1
7	6550	U-BOLT,3/8 X 1 YZ.....	2	20	28131	WIRE LOOM,1.25 DIA.....	66-inches
8	5397	WASHER,FLAT,USS,5/16",Y.....	20	20	28678	SLEEVE,NYLON,2"ID,BULK(100).	66-inches
9	4828	NUT,NYLOCK,3/8-16.....	8	21	28443	CABLE TIE,11.5" BLACK.....	8
10	52093	PLAT.ASSY,6FT-S40/S60-95'& S80.....	1	22	7713	NUT,LP NYLOCK,3/8-16.....	4
		<i>includes index numbers 13 through 17 and 19</i>					
--	52081	PLAT.ASSY,EURO,6 FT,S40/60/80.....	1				
		<i>includes index numbers 13 through 17 and 19</i>					
--	52082	PLAT ASSY,8 FT,SERV,S40/60/80.....	1				
		<i>includes index numbers 13 through 17 and 19</i>					
--	52083	PLAT.ASSY,EURO,8 FT,S40/60.....	1				
		<i>includes index numbers 13 through 17 and 19</i>					
--	54817P-S	TOEBOARD,PLTFM ENTRY EUR,PNTD*.....	1				
11	6019	SCREW,HHC,3/8-16 X 1.25 GRD 5.....	8				
12	12443	MIDRAIL GUIDE (HOOK).....	2				
13	102992	SLIDING MIDRAIL KIT,PTD.....	1				
		<i>includes tube and index numbers 12, 2 each of number 14, 4 each of index number 15, and index number 16</i>					
--	139451	TUBE,SLIDING MIDRAIL,PAINTED.....	1				
--	20973	WIRE LOOM,3/8 POLY SLIT.....	1				
--	21121	CABLE TIE,4" BLK,HEAT RESISTNT.....	1				
14	6091	NUT,NYLOCK,1/4-20.....	10				
15	6638	WASHER,FLAT,USS,1/4"Y.....	12				

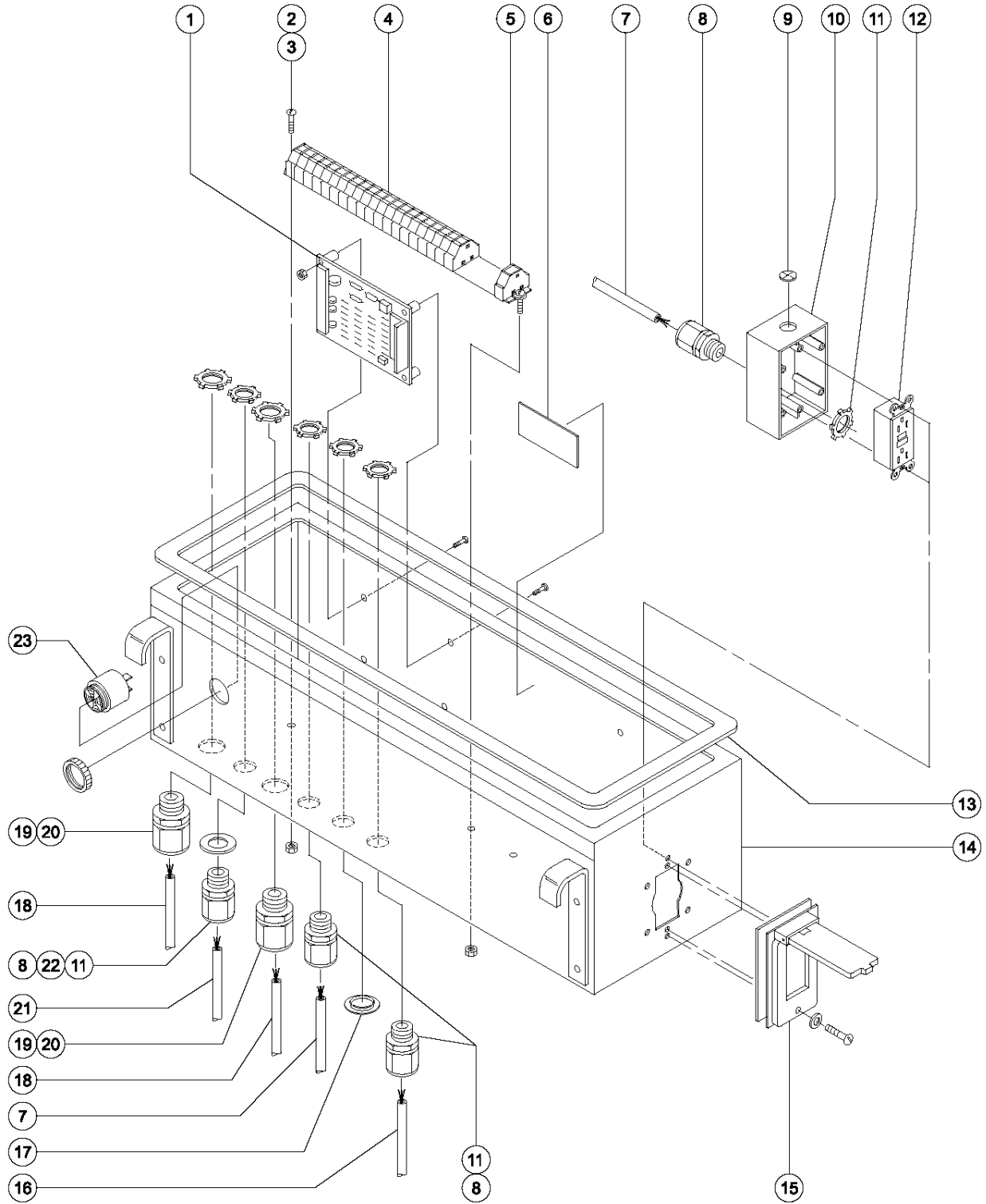
701.2 Platform Installation (from SN 2849)



701.2 Platform Installation (from SN 2849)

Item	Part No.	Description	Qty.	Item	Part No.	Description	Qty.
1	7713	NUT,LP NYLOCK,3/8-16.....	4	--	229768	GROMMET,RUBBER,1.0X0.094X1.375.1	
2	5397	WASHER,FLAT,USS,5/16",Y.....	20	--	102992	SLIDING MIDRAIL KIT,PTD.....	1
3	6019	SCREW,HHC,3/8-16 X 1.25 GRD 5.....	8	--	56424	CLAMP,1.25X.5 RUBBER-CUSHION.....	1
4		Ref. Platform Controls (refer to Figures 703.1 or 704.1).....	8	15	6550	U-BOLT,3/8 X 1 YZ.....	2
5	228466	KIT, FOOTSWITCH, S40/S60/S80...1 <i>Pervious foot switch is no longer available. Order kit 228466 for first time replacement (kit includes foot switch 227516)</i>		16	4828	NUT,NYLOCK,3/8-16.....	8
--	227516	ASSEMBLY,FOOT SWITCH <i>Part of kit 228466 (the kit is required for first time replacement of previous foot switch)</i>		17	73574-S	DECAL PLATE ASSEMBLY.....	1
--	33576	CONN,SQZ,BLK,1/2NPT,.38-.50,SM		18	24514	BOX,INSTRUCTION STORAGE....	1
6	73587	SCREW,PHIL,10-24 X .75.....	2	19	6356	WASHER,LOCK,.25.....	3
7	73575	SPRING CLIP,10-24,ZINC.....	2	20	60370-S	PLATFORM SUPPORT WELDMNT-SERV*.....	1
8	6090	SCREW,HHC,1/4-20 X .75.....	4				
9	6638	WASHER,FLAT,USS,1/4"Y.....	8				
10	56912	SPRING CLIP,1/4-20,.025-.15X.5....	4				
11	73931	GUARD,FOOTSWITCH,W/DECAL ALUM.....	1				
12	73610P-S	STEP PLATFORM ENTRY PAINTED.....	1				
13	73477P	FLOORING, 6'FT PLATFORM.....	1				
--	73478P	FLOORING, 8'FT PLATFORM.....	1				
14	52093	PLAT.ASSY,6FT-S40/S60-95'& S80..... <i>includes index numbers 1 through 3, 5 through 13, and 16 through 19</i>	1				
--	52081	PLAT.ASSY,EURO,6 FT,S40/60/80..... <i>includes index numbers 1 through 3, 5 through 13, and 16 through 19</i>	1				
--	54817P-S	TOEBOARD,PLTFM ENTRY EUR,PNTD*.....	1				
--	52082	PLAT ASSY,8 FT,SERV,S40/60/80..... <i>includes index numbers 1 through 3, 5 through 13, and 16 through 19</i>	1				
--	52083	PLAT.ASSY,EURO,8 FT,S40/60..... <i>includes index numbers 1 through 3, 5 through 13, and 16 through 19</i>	1				
--	54817P-S	TOEBOARD,PLTFM ENTRY EUR,PNTD*.....	1				

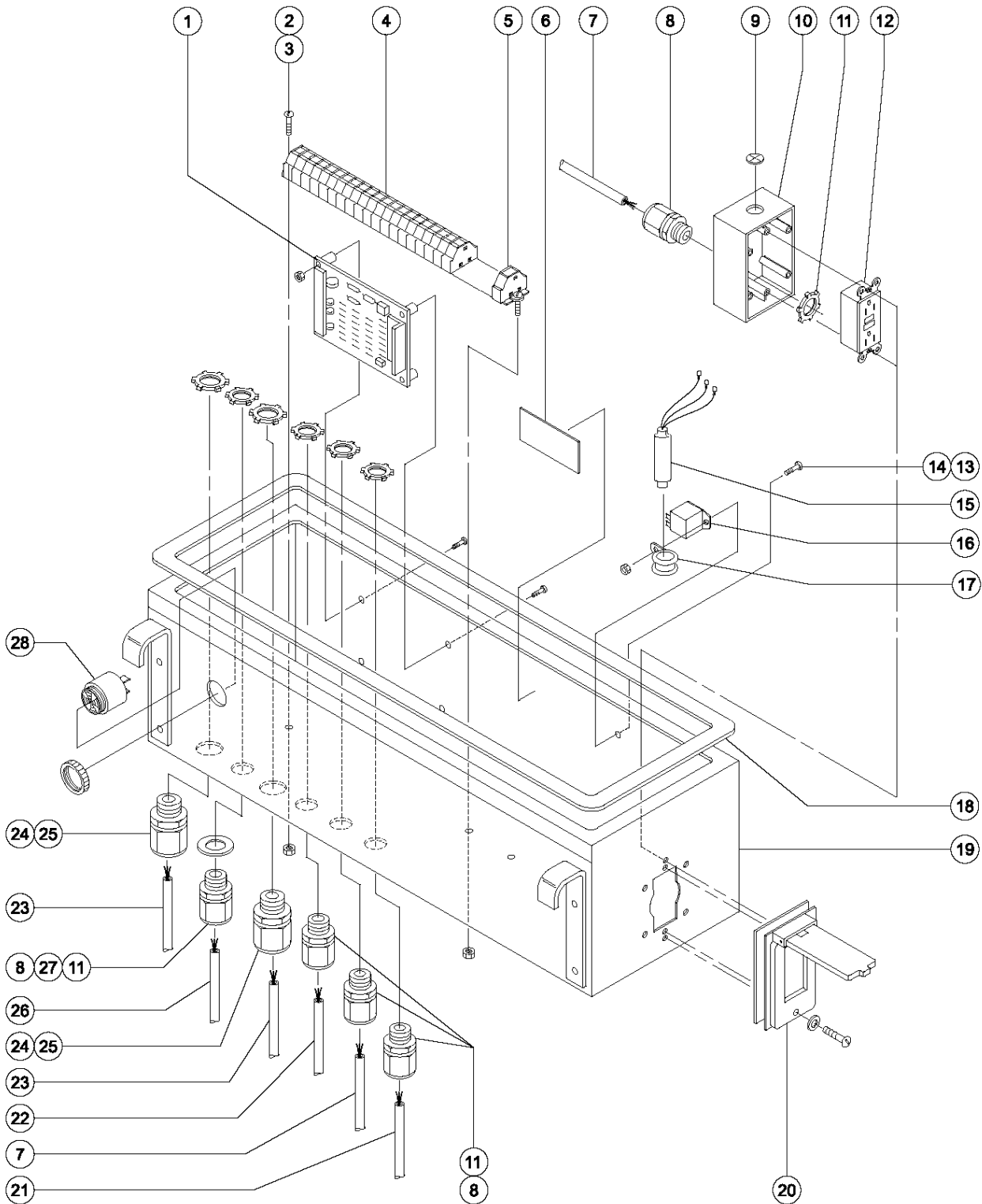
702.1 Platform Controls - View 1



702.1 Platform Controls - View 1

Item	Part No.	Description	Qty.	Item	Part No.	Description	Qty.
--	33996	SCREWDRIVER,TERMINAL BLOCK		22	34769	WASHER,REDUCING 3/4" TO 1/2".....	1
1	22052	LIMITER PC BOARD, HORSEPOWER.....1 <i>includes mounting fasteners</i>	1	23	45383	ALARM,WARBLE TONE 5-30 VDC***.....1 <i>Does not include 72326 nut</i>	1
--	39591	SPACER,NYLON,.375		--	72326	NUT - PLASTIC,RING FOR ALARMS.....1 <i>sold separately</i>	1
2	45546	SCREW,RHM,6-32 X .5.....	2				
3	12344	NUT,NYLOCK,6-32.....	2				
4	32637	TERMINAL BLOCK,WAGO.....	43				
--	32638	TERMINAL BLOCK,WAGO.....	2				
5	32639	END PLATE,WAGO.....	1				
6	30997	CORROSION INHIBITOR,FOAM.....	1				
7	30794	WIRE, 12/3 SJEOW,BULK,BLK-WHT-G.1200-inches					
8	7056	CONN,SQUEEZE,1/2NPT .38-.50,SM.....	4				
9	8843	COVER,KNOCK OUT HOLE,4 PER BAG.....	1				
10	10775	T-BOX,2.75 X 4.5 X 2.0.....	1				
11	6935	LOCKNUT,ELEC,1/2".....	4				
12	13585	OUTLET,110V GFCI***.....	1				
12	35003	RECEPTACLE, BRITISH, 110V.....	1				
13	27115	GASKET,UPPER CONTROL BOX.....	1				
14	58003-S	PLAT CNTL BOX,W/DECAL,S60/80.....1 <i>includes index numbers 6 and13</i>	1				
15	45437	COVER,GFCI,WEATHERPROOF....1 <i>includes mounting fasteners</i>	1				
--	33629	PLATE,UK POWER TO PLATFORM.....	1				
--	33724	KIT,GASKET,UK POWER TO PLAT.....	1				
16	43960	WIRE CABLE,16/4 CON.TPE JKT.....1200-inches					
17	229567	PLUG, SANTOPRENE .5 BLACK DOME.....	1				
18	48533	WIRE CABLE,18GA/19 CON.BNDREX.....1225-inches S-80					
19	12960	CABLE SQUEEZE CONN.,XTRA LRG.....	2				
20	14041	LOCKNUT,ELECTRIC,3/4".....	2				
21	43955	WIRE CABLE,12GA/3 CON.TPE JKT*.....1200-inches					

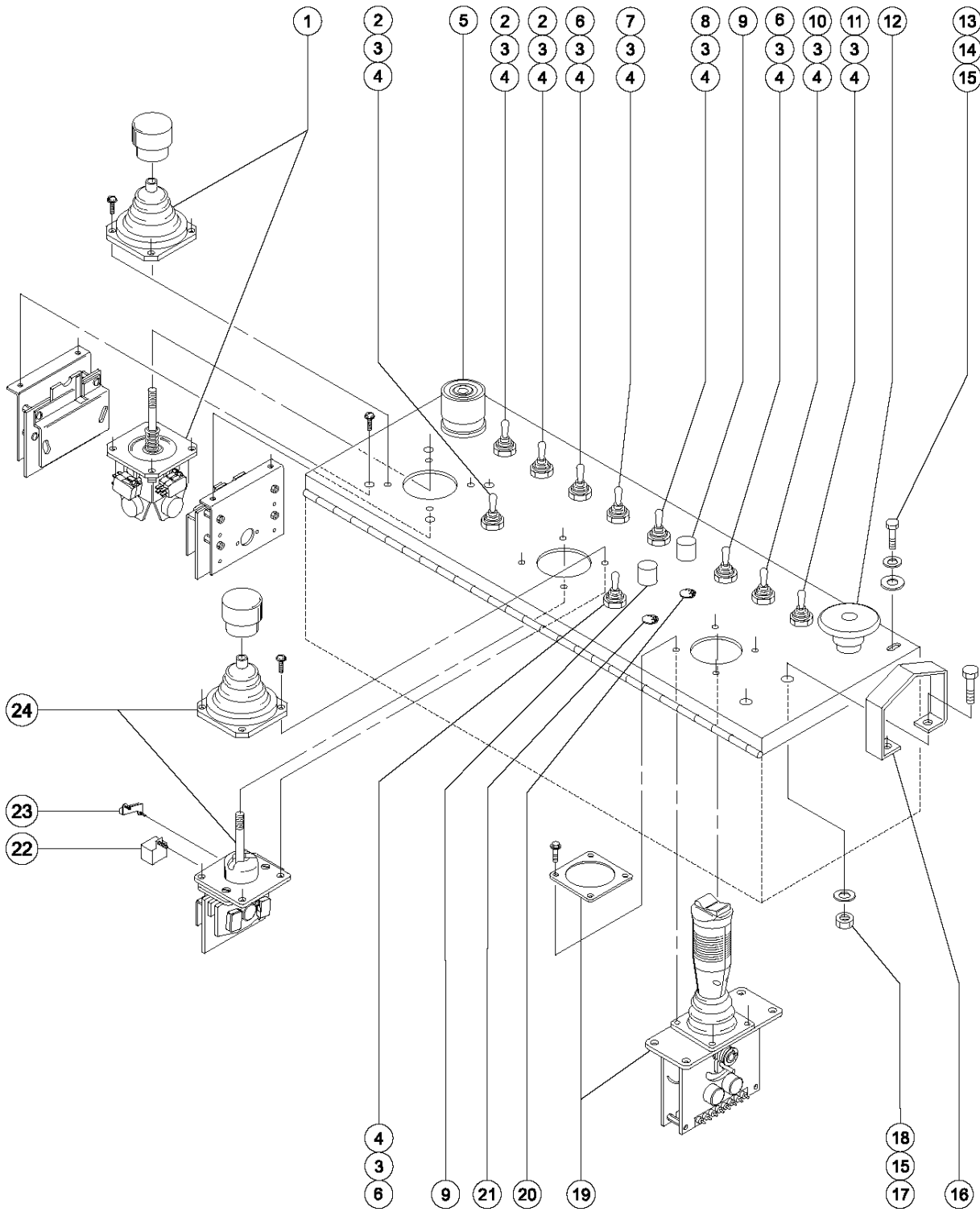
703.1 Platform Controls - View 1



703.1 Platform Controls - View 1

Item	Part No.	Description	Qty.	Item	Part No.	Description	Qty.
--	33996	SCREWDRIVER,TERMINAL BLOCK		23	48533	WIRE CABLE,18GA/19	
1	22052	LIMITER PC BOARD, HORSEPOWER.....1 <i>includes mounting fasteners</i>	1			CON.BNDREX.....1296-inches S-85	
--	39591	SPACER,NYLON,.375		24	12960	CABLE SQUEEZE CONN.,XTRA LRG.....2	
2	45546	SCREW,RHM,6-32 X .5.....2	2	25	14041	LOCKNUT,ELECTRIC,3/4".....2	
3	12344	NUT,NYLOCK,6-32.....2	2	26	43955	WIRE CABLE,12GA/3 CON.TPE JKT*.....1296-inches	
4	32637	TERMINAL BLOCK,WAGO.....43	43	27	34769	WASHER,REDUCING 3/4" TO 1/2".....1	
--	32638	TERMINAL BLOCK,WAGO.....2	2	28	45383	ALARM,WARBLE TONE 5-30 VDC***.....1 <i>Does not include 72326 nut</i>	
5	32639	END PLATE,WAGO.....1	1	--	72326	NUT - PLASTIC,RING FOR ALARMS.....1 <i>sold separately</i>	
6	30997	CORROSION INHIBITOR,FOAM....1	1				
7	30794	WIRE,12/3 SJEOW,BULK,BLK-WHT-G.1308-inches					
8	7056	CONN,SQUEEZE,1/2NPT .38-.50,SM.....5	5				
9	8843	COVER,KNOCK OUT HOLE,4 PER BAG.....1	1				
10	10775	T-BOX,2.75 X 4.5 X 2.0.....1	1				
11	6935	LOCKNUT,ELEC,1/2".....5	5				
12	13585	OUTLET,110V GFCI***.....1	1				
--	35003	RECEPTACLE, BRITISH, 110V.....1	1				
13	6178	NUT,NYLOCK,10-32.....1	1				
14	5094	SCREW,RHM,10-32 X .5.....1	1				
15	43181	CAPACITOR,TIME DELAY.....1	1				
16	19274	RELAY,SPDT,12V(AUTO)**.....1	1				
17	13268	CLAMP,0.75,#12 X 1/4,RUB CUSH.....1	1				
18	27115	GASKET,UPPER CONTROL BOX.....1	1				
19	58003-S	PLAT CNTL BOX,W/DECAL,S60/80.....1 <i>includes index numbers 6 and 18</i>	1				
20	45437	COVER,GFCI,WEATHERPROOF....1 <i>includes gasket and mounting fasteners</i>	1				
--	33629	PLATE,UK POWER TO PLATFORM.....1	1				
--	33724	KIT,GASKET,UK POWER TO PLAT.....1	1				
21	43960	WIRE CABLE,16/4 CON.TPE JKT.....159-inches					
22	43960	WIRE CABLE,16/4 CON.TPE JKT.....185-inches					

704.1 Platform Controls - View 2



704.1 Platform Controls - View 2

Item	Part No.	Description	Qty.	Item	Part No.	Description	Qty.
--	58003-S	PLAT CNTL BOX,W/DECAL,S60/80		--	229567	PLUG, SANTOPRENE .5 BLACK DOME.....1 <i>Diesel Models</i>	1
1	40613	JOYSTICK,DUAL AXIS CONTROLL.**1 <i>OEM joystick</i>	1	12	122514	KIT,ESTOP SVC BB&SM BOOM.....1	1
--	40613H	JOYSTICK,DUAL AXIS CONTROLL.**1 <i>aftermarket joystick replacement</i>		--	146478	BOOT(BELLOWS),E-STOP,BLACK	
2	128202	SWITCH TOGGLE ASSY DPDT 3P MOM.....3 <i>includes mounting fasteners</i>	3	--	66812	BUTTON,PUSH,RED MUSHROOM HEAD.....1	1
3	27246	BOOT,TOGGLE SWITCH,SHORT*10 1	10	--	66818	CONTACT,NC.....1 <i>includes 2 each N.C. contacts</i>	1
4	128578	SCREW T-SWITCH PH/PH 6-32X1/4.....10 1	10	--	66821	BASE,WITHOUT CONTACTS.....1	1
5	122513	KIT,HORN SVC BB&SM BOOM.....1	1	13	6090	SCREW,HHC,1/4-20 X .75.....3	3
--	66813	BUTTON,PUSH,BLACK W/SEAL***		14	6356	WASHER,LOCK,.25.....3	3
--	66815	BASE, W/1 N.O. CONTACTS***		15	6638	WASHER,FLAT,USS,1/4"Y.....5	5
6	128200	SWITCH TOGGLE ASSY SPDT 3P MOM.....3 1 <i>includes mounting fasteners</i>	3	16	27033P-S	SUPPORT,WRIST,PAINTED-BLUE..1	1
7	128201	SWITCH TOGGLE ASSY DPDT 2P MOM.....1 <i>includes mounting fasteners</i>	1	17	8914	SCREW,HHC,1/4-20 X .625.....2	2
8	128205	SWITCH TOGGLE ASSY DPDT 2P MNT.....1 1 <i>includes mounting fasteners</i>	1	18	6889	NUT,LP NYLOCK,1/4-20.....2	2
9	824879	LIGHT,LED IND. RED 12V NH.....1 <i>Gasoline/LPG Models, (Complete LED light assembly)</i>	1	19	20424	JOYSTICK CONTROLLER,12V.....1 <i>OEM joystick</i>	1
--	1	1	--	20424H	JOYSTICK CONTROLLER,12V <i>aftermarket joystick replacement</i>	
--	128200	SWITCH TOGGLE ASSY SPDT 3P MOM.....1 <i>includes mounting fasteners; Cold Start Option, Diesel Models</i>	1	20	128205	SWITCH TOGGLE ASSY DPDT 2P MNT.....1 1 <i>includes mounting fasteners; CE Models</i>	1
--	229567	PLUG, SANTOPRENE .5 BLACK DOME.....1 <i>Diesel Models</i>	1	20	229567	PLUG, SANTOPRENE .5 BLACK DOME.....1 1	1
--	824879	LIGHT,LED IND. RED 12V NH.....1	1	--	128205	SWITCH TOGGLE ASSY DPDT 2P MNT.....1 1 <i>includes mounting fasteners; CE Models</i>	1
10	128206	SWITCH TOGGLE ASSY DPDT 3P MNT.....1 <i>includes mounting fasteners</i>	1	21	229567	PLUG, SANTOPRENE .5 BLACK DOME.....1 1	1
11	128204	SWITCH TOGGLE ASSY SPDT 2P MNT.....1 <i>includes mounting fasteners; Gasoline/LPG Models</i>	1	--	128205	SWITCH TOGGLE ASSY DPDT 2P MNT.....1 1 <i>includes mounting fasteners</i>	1
				22	19274	RELAY,SPDT,12V(AUTO)**.....1	1
				23	27116	RESISTOR,100 OHM,25 WATT.....1 <i>4WD Models</i>	1
				--	34798	RESISTOR,150 OHM,25 WATT.....1 <i>2WD Models</i>	1
				24	24495	JOYSTICK,SINGLE AXIS PROPOR.....1 <i>OEM joystick</i>	1



704.1 Platform Controls - View 2
(continued)

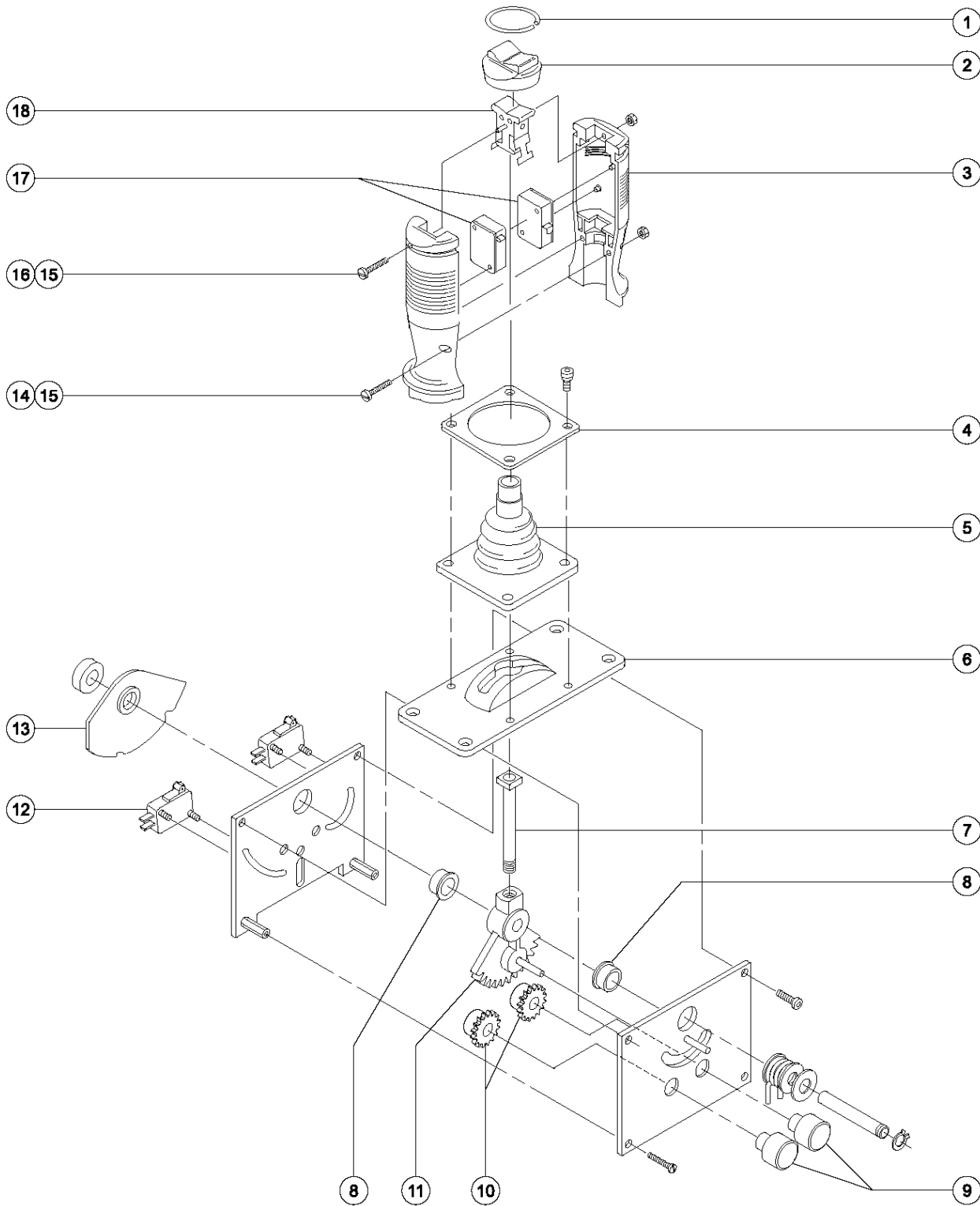
Item	Part No.	Description	Qty.
--	24495H	JOYSTICK,SINGLE AXIS PROPORT <i>aftermarket joystick replacement</i>	

Footnotes

1: Quantity listed may not reflect specific model configuration requirements.

This Page Intentionally Left Blank

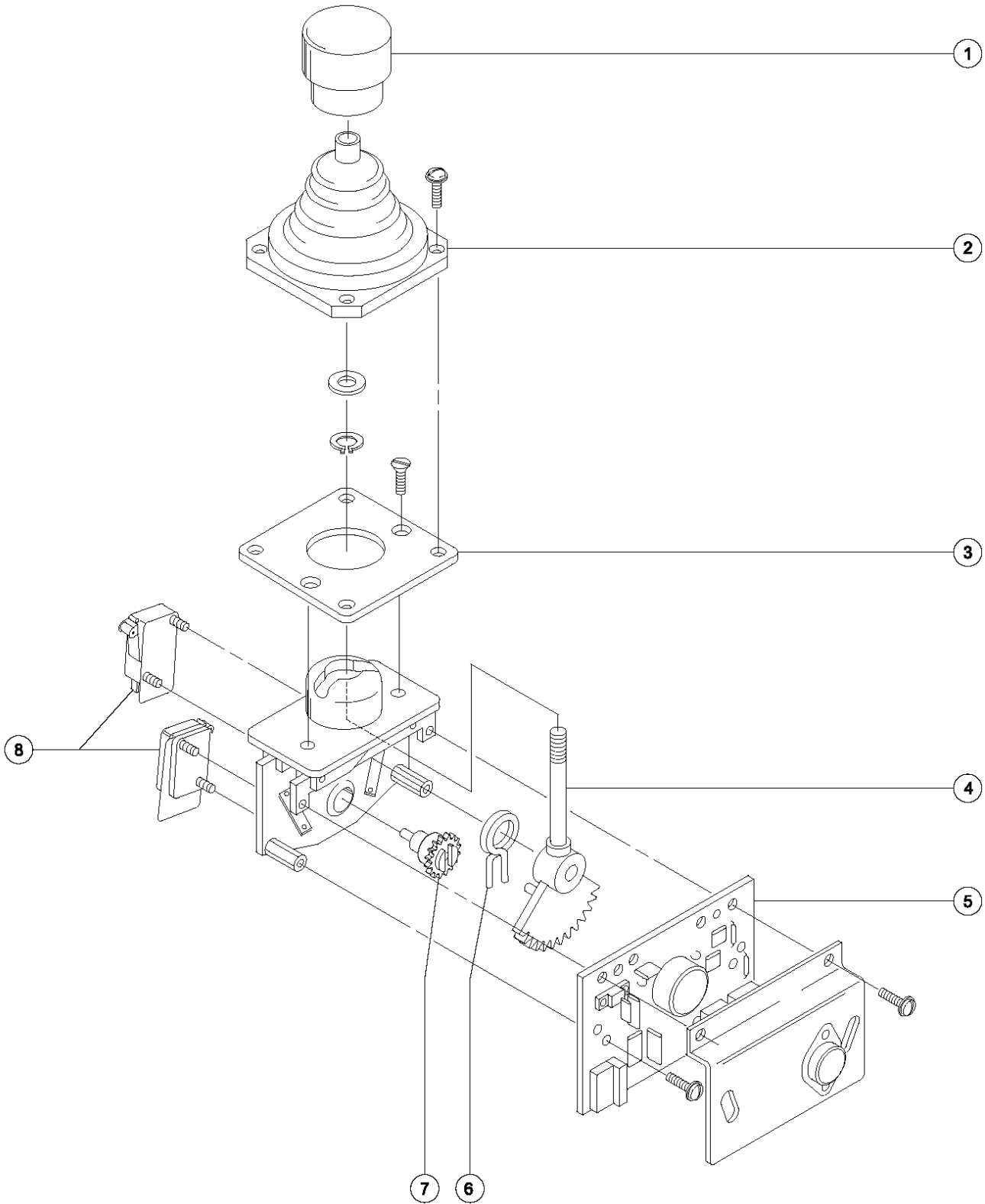
705.1 Joystick Controller - Drive/Steer Functions



705.1 Joystick Controller - Drive/Steer Functions

Item	Part No.	Description	Qty.
--	20424H	JOYSTICK CONTROLLER,12V <i>aftermarket joystick replacement</i>	
--	20424	JOYSTICK CONTROLLER,12V <i>OEM joystick, contains all shown service parts</i>	
1	25882	LOCK RING.....	1
2	25881	BOOT,THUMB 20424 JOYSTICK.....	1
3	25883	HANDLE HALF,JOYSTICK (20424).....	2
--	49887	NUT & BOLT KIT (25883).....	1
--	72245	KIT, JOYSTICK HANDLE <i>includes handles, rocker and nut/bolt kit</i>	
4	44221	COLLAR, BOOT RETAINING.....	1
5	22368	BOOT (20424).....	1
6	25884	COVER CASTING,20424 CONTROLLER.....	1
7	44211	SHAFT,W/NF STYL BLOCK,(20424)*.....	1
8	52778	BEARING,FLANGED,.376ID (20424).....	2
9	22364	POTENTIOMETER (20424).....	2
10	22367	SPUR GEAR (20424).....	2
11	44212	GEAR CASTING,20424 CONTROLLER*.....	1
12	19712	MICROSWITCH,V3L-139-D8.....	2
13	22366	CAM ASSY (20424).....	1
14	52776	SCREW,HEX,M4X0.7X10MM (20424)*.....	2
15	52777	NUT,HEX,M4 X 0.7 MM (20424)**.....	3
16	52775	SCREW,HEX,M4X0.7X30MM (20424)*.....	1
17	23680	SWITCH,HANDLE,20424.....	2
18	23688	ROCKER ASSY,HANDLE (20424)**.....	1

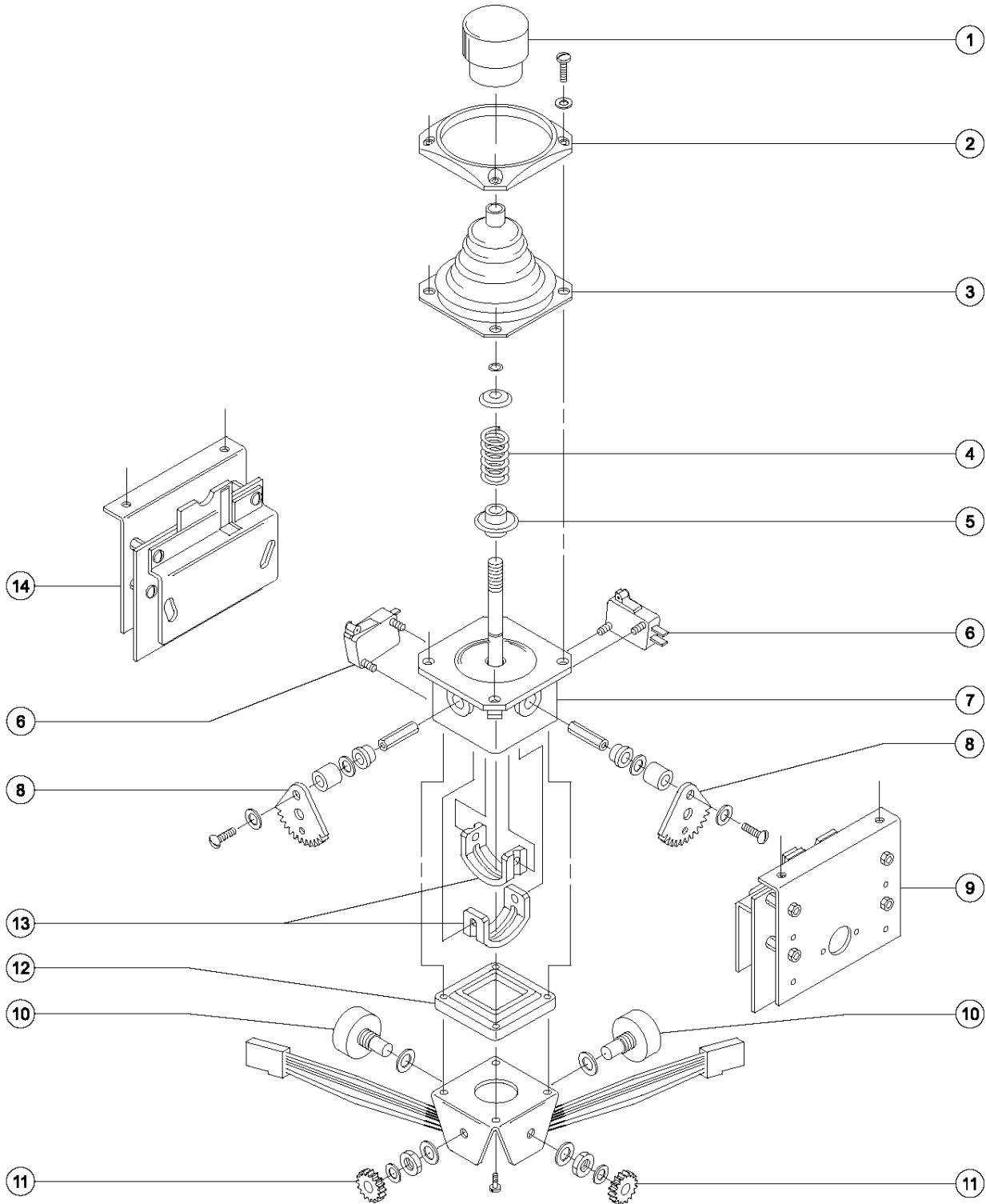
706.1 Joystick Controller - Boom Extend/Retract Functions



706.1 Joystick Controller - Boom Extend/Retract Functions

Item	Part No.	Description	Qty.
--	24495H	JOYSTICK,SINGLE AXIS PROPORT <i>aftermarket joystick replacement</i>	
--	24495	JOYSTICK,SINGLE AXIS PROPORT <i>OEM joystick, contains all shown service parts</i>	
1	27133	HANDLE,CAP,CONTROLLER.....	1
2	27134	BOOT,CONTROLLER.....	1
3	19720	CASTING,45049, 40612.....	1
4	27135	SHAFT W/GEAR.....	1
5	27524	PCB,ASSY,24495.....	1
--	49870	POTENTIOMETER (24493).....	1
6	21434	SPRING & BUSHING KIT,RETURN***.....	1
7	19731	GEAR, SLAVE, MS4,45048.....	1
8	19712	MICROSWITCH,V3L-139-D8.....	2

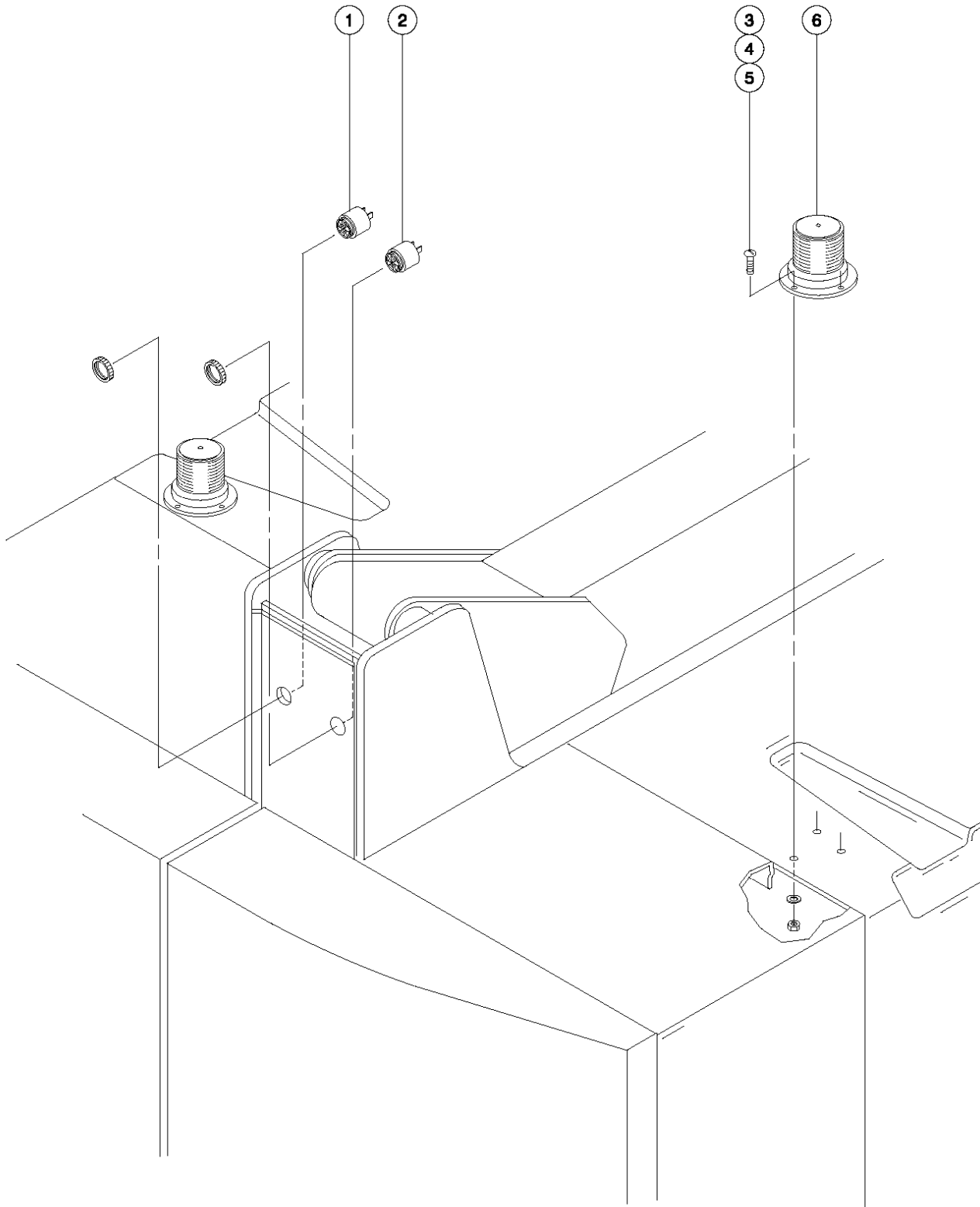
707.1 Joystick Controller - Boom Up/Down and Turntable Rotate Functions



707.1 Joystick Controller - Boom Up/Down and Turntable Rotate Functions

Item	Part No.	Description	Qty.
--	40613H	JOYSTICK,DUAL AXIS CONTROLL.** <i>aftermarket joystick replacement</i>	
--	40613	JOYSTICK,DUAL AXIS CONTROLL.** <i>OEM joystick, contains all shown service parts</i>	
1	27133	HANDLE,CAP,CONTROLLER.....	1
2	46272	FLANGE-JOYSTICK MOUNTING,44988.....	1
3	27134	BOOT,CONTROLLER..... <i>includes item 2</i>	1
4	27511	SPRING,24493 CONTROLLER.....	1
5	31283	BUSHING,SPRING SEAT.....	1
6	19712	MICROSWITCH,V3L-139-D8.....	2
7	31284	SHAFT ASSY W/HOUSING.....	1
8	27512	JOYSTICK, DRIVE GEAR, (24493).....	2
9	48413	PCB,ASSY,BOOM ROTATE,40613*.....	1
10	72356	POTENTIOMETER (40613)..... <i>(supplier p/n EPVR-342)</i>	2
10	83088	POTENTIOMETER (40613) <i>(supplier p/n EPVR-464)</i>	
11	27514	GEAR, SLAVE, 24493.....	2
12	58923	SADDLE BRCKT40613,34419,53073*.....	1
13	37948	SADDLES-SET(24493,40613,53073.	1
14	48414	PCB,ASSY,BOOM UP/DOWN,40613***.....	1

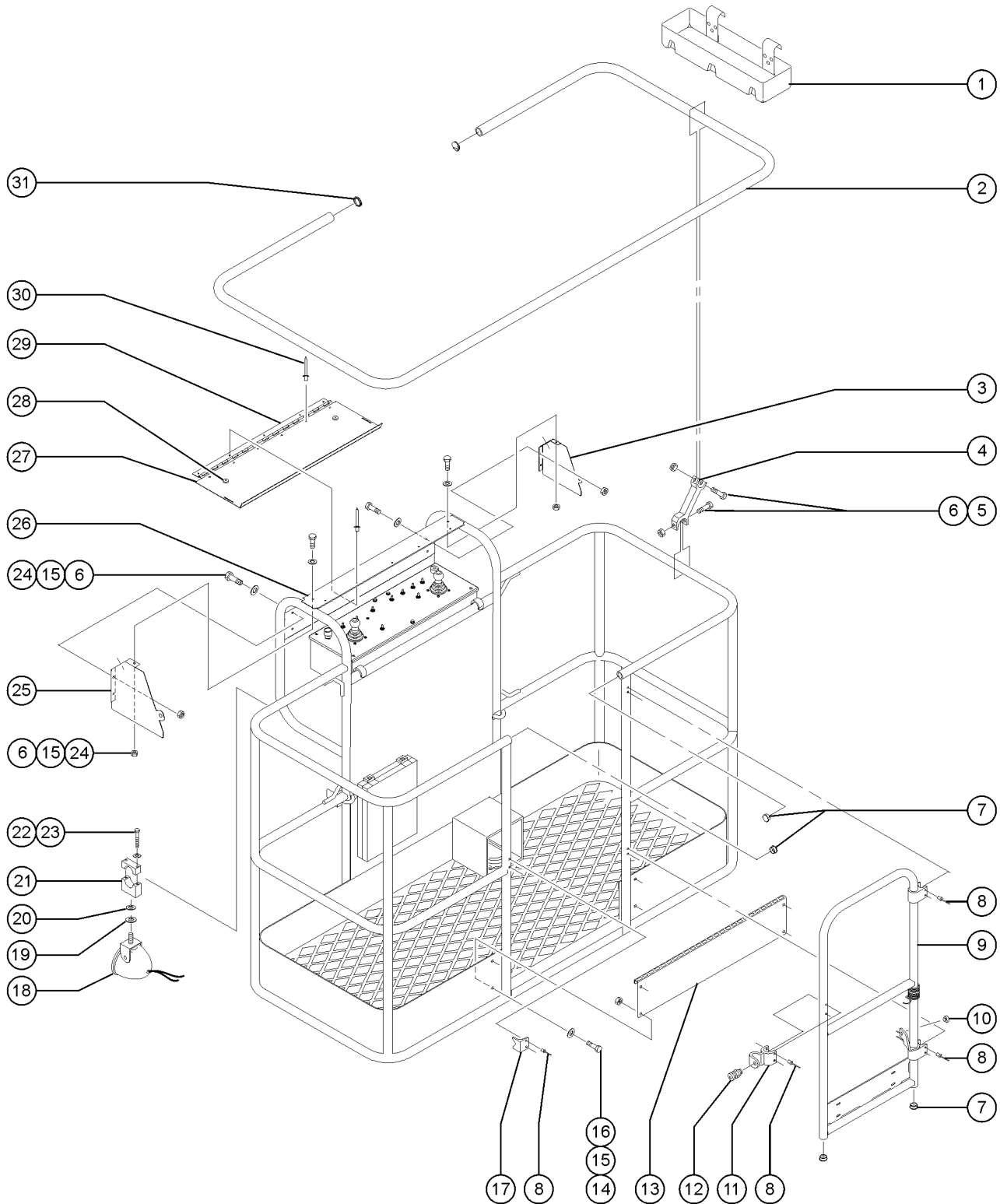
801.1 Alarm and Beacon Package



801.1 Alarm and Beacon Package

Item	Part No.	Description	Qty.
--	46984	ALARM PKG,S60/80***	
1	45462	ALARM,CHIME TONE 5-25VDC***1 <i>Does not include 72326 nut</i>	1
--	72326	NUT - PLASTIC,RING FOR ALARMS.....1	1
2	18963	ALARM.INTERMITTENT TONE.24V.....1 <i>Does not include 72326 nut</i>	1
--	72326	NUT - PLASTIC,RING FOR ALARMS.....1	1
3	6147	SCREW,RHM,10-32 X 1.....6	6
4	6146	WASHER,FLAT,MS,#10,Y.....6	6
5	6178	NUT,NYLOCK,10-32.....6	6
6	56704	STROBE,FIREBOLT,12-80VDC,AMB**. <i>(replaced 20189)</i>	2
--	122019	FLASHTUBE,U SHAPED,360DEG,BULB	
--	226393	FLASHTUBE,STRAIGHT,360DEG,BULB	
--	72282	LENS,AMBER,STROBE,FIREBOLT.2	

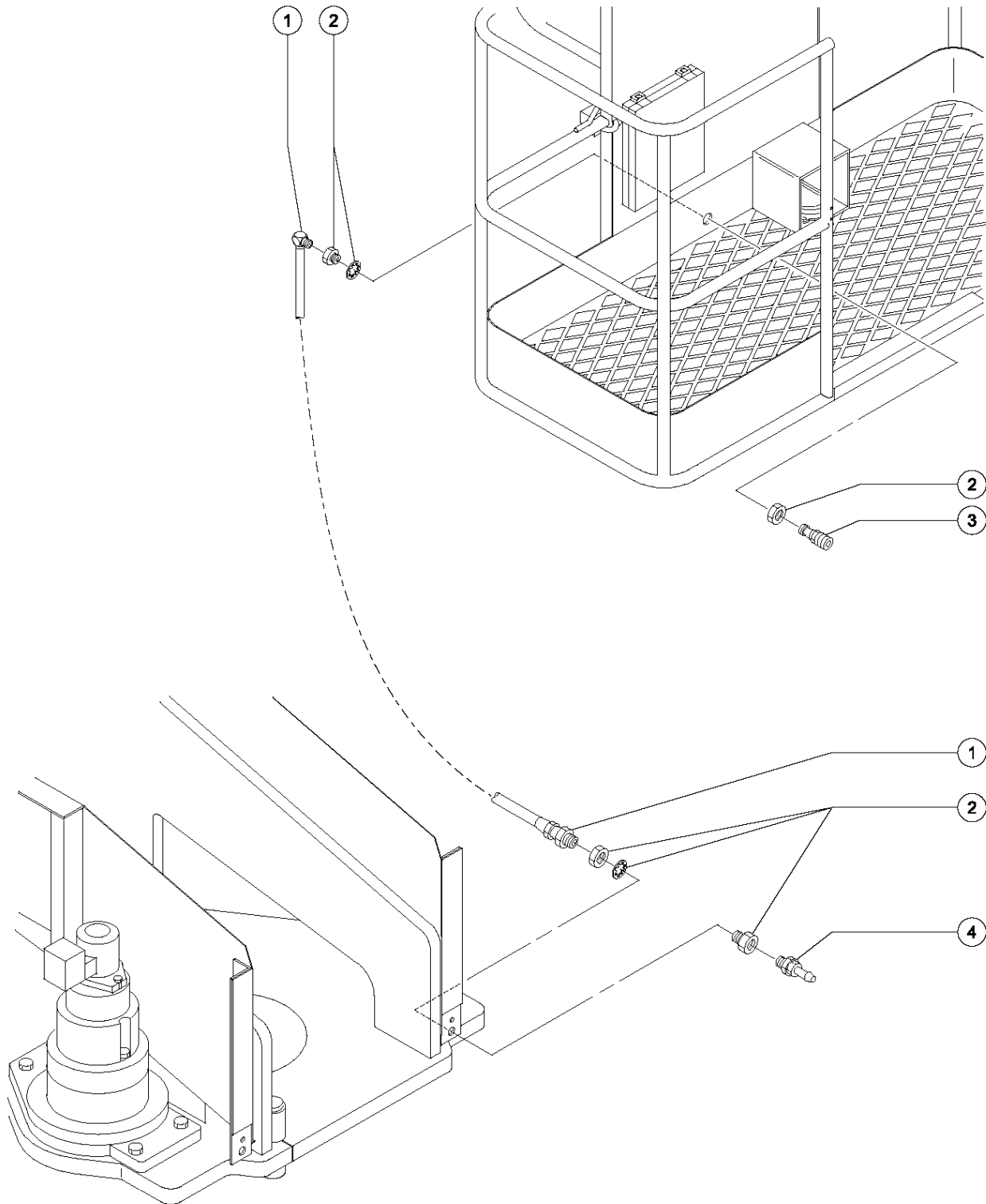
802.1 Platform Options



802.1 Platform Options

Item	Part No.	Description	Qty.	Item	Part No.	Description	Qty.
--	28856-S	PLAT.PINCH GUARD,8',1.3		20	6035	WASHER,FLAT,USS,5/8",Y.....	1
--	34321-S	OPTION,WORKLIGHT,12 VOLT		21	35956	BRACKET,WORK LIGHT MOUNT 5/16".....	2
--	53157-S	PINCH GUARD,6'(1.31")SERVICE**		22	6145	SCREW,HHC,1/4-20 X 1.5.....	4
1	9599-S	TOOL TRAY ACCESSORY***.....	1	23	6356	WASHER,LOCK,.25.....	4
2	1259704	PINCH GUARD RAIL,6' PLATFORM.....	1	24	6090	SCREW,HHC,1/4-20 X .75.....	2
		<i>includes 55753 bumpers</i>		25	119796	CONTROL BOX COVER,LEFT SIDE**	
--	52661	PINCH GUARD RAIL,8' PLATFORM**.....	1	26	119562P	GUARD,PLATFORM CNTRL PANEL PTD	
		<i>includes 2 each index number 31</i>		--	119642	KIT,PLAT CONTROL PANEL GUARD**	
3	119797	CONTROL BOX COVER, RIGHT SIDE*				<i>includes part 119562P, required for first time installation</i>	
4	139958	KIT, AUX TOP RAIL SUPPORT.....	10	27	89915P	COVER,CONTROL BOX LID	
5	4266	SCREW,HHC,1/4-20 X 2.....	20	--	119795	KIT,CONTROL BOX COVER	
6	6889	NUT,LP NYLOCK,1/4-20.....	20			<i>includes part 89915P, index number 26 is required for first time installation</i>	
7	31120	PLUG,NYLON 1.187 BLACK DOMED.....	4	28	43392	BUMPER,BATTERY BOX & RAILS	
8	7265	RIVET,STEEL,P, .25 X .375.....	14	29	111526	HINGE,PLAT CONTROL BOX COVER	
9	128368	KIT,SWING GATE W/SPRING.....	1	30	54486	RIVET,ALUM,ALUM,3/16BUTTONHEAD	
		<i>includes 2 each index number 7</i>		31	55753	BUMPER, PLASTIC, 1.25 O.D.....	2
9A	119950	KIT,FIELD INSTALL,SWING GATE <i>includes 128368, 1487, 1488, and 33674</i>					
--	1487	GATE LATCH CASTING--DRILLED					
--	1488	RAILING CATCH CASTING--DRILLED					
--	33674	PIN,LOCK,SHORT***					
--	9596	HINGE CASTING					
10	43392	BUMPER,BATTERY BOX & RAILS.....	1				
11	1487	GATE LATCH CASTING--DRILLED.....	1				
12	63311	SNAP PIN.....	1				
13	54817P-S	TOEBOARD,PLTFM ENTRY EUR,PNTD*.....	1				
14	8915	SCREW,HHC,1/4-20 X 1.25.....	4				
15	6638	WASHER,FLAT,USS,1/4"Y.....	4				
16	6091	NUT,NYLOCK,1/4-20.....	6				
17	1488	RAILING CATCH CASTING--DRILLED.....	1				
18	35958	HOUSING,WORKLIGHT***.....	2				
18A	35960	BULB,WORKLIGHT,12V 35W					
19	6036	WASHER,LOCK,.625 PLTD.....	1				

803.1 Airline to Platform

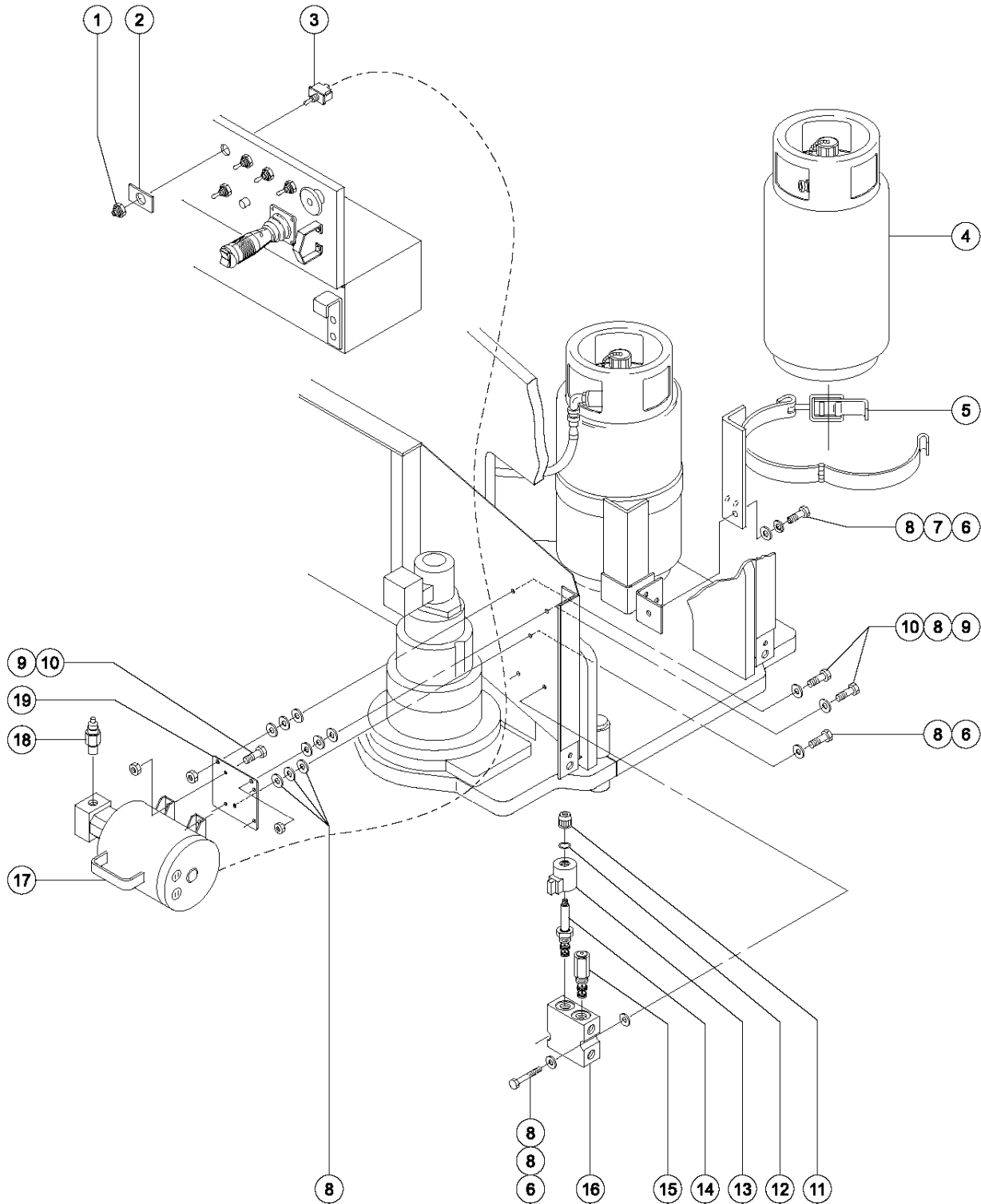


Item	Part No.	Description	Qty.
--	34106	S80 AIR TO PLATFORM,1/2"ID	
1	49177-119794	HOSE ASSEMBLY,1/2".....1 1	1
2	49212	FEMALE BULKHEAD CONNECTOR-8.....2	2
3	49215	MPT,CPLR,1/4"SER,3/8"X18.....1	1
4	49214	MALE PIPE THD,1/4" SER,3/8"X18.....1	1

Footnotes

1: Hose End - Female, JIC 37°, Swivel, ORFS (Parker No. 30682-8), Hose End - Female, JIC 37°, Swivel, ORFS (Parker No. 30682-8) and Hose, 1/2 inch, Low Pressure (Parker No. 801-8)

804.1 Generator and Spare LPG Tank



804.1 Generator and Spare LPG Tank

Item	Part No.	Description	Qty.	Item	Part No.	Description	Qty.
--	30630	S40,60,80SPARE L.P.TANK W/BRKT.....	1	--	32732	RECTIFIER ASSEMBLY	
1	27246	BOOT,TOGGLE SWITCH,SHORT*.....	1	--	52085	BRUSH HOLDER ASSY, 2500W GENER	
2	32728	DECAL,OPTION GENERATOR***...1		--	52086-R	MOTOR -HYD.2500W GENER REFURB.	
3	128205	SWITCH TOGGLE ASSY DPDT 2P MNT.....	1	--	58402	BRIDGE,50A FULL WAVE**	
		<i>includes mounting fasteners</i>		--	58944	BRUSH 3/8 X 1/4 X 15/16(36928)	
4	53605	TANK, LP, 7 GAL.....	1	--	58954	O-RING,SPACER #115*** <i>for pump</i>	
		<i>Gasoline/LPG Models</i>		--	T111608	SEAL,RETAINING RING <i>for pump</i>	
5	53120-S	LP.TANK BRACKET TALL WLDMNT.....	1	--	T111609	SEAL,SHAFT <i>for pump</i>	
		<i>Gasoline/LPG Models</i>		--	T111610	SPACER <i>for pump</i>	
6	6175	SCREW,HHC,3/8-16 X 1.....	6	--	T111611	BEARING,MOTOR <i>for pump</i>	
		<i>Gasoline/LPG Models</i>		--	T111612	RETAINING RING <i>for pump</i>	
7	6021	WASHER,LOCK, .375.....	4	--	T111613	SHAFT,MOTOR <i>for pump</i>	
8	5397	WASHER,FLAT,USS,5/16",Y.....	17	17C	111381	GEN,HYD,3000W,110V,60HZ.....	1
9	6019	SCREW,HHC,3/8-16 X 1.25 GRD 5.....	6			<i>includes index number 18</i>	
10	7713	NUT,LP NYLOCK,3/8-16.....	7	--	147836	SEAL, GASKET, .00075" *GOLD* <i>for pump</i>	
11	33568	NUT, CP521-1 VALVE.....	1	--	147837	SEAL, GASKET, .0005" *SILVER* <i>for pump</i>	
12	45914	O-RING, DO1 VALVE.....	1	--	147838	SEAL, GASKET, .0010" <i>for pump</i>	
13	27535	COIL,12V.DO1 VALVE.....	1	--	147839	ASSM, GEN. ONLY, 110V, 60HZ	
--	45782	DIODE,6 AMP,200 PIV,BULK		--	32732	RECTIFIER ASSEMBLY	
14	19969	VALVE,SOLENOID (18660).....	1	--	52000	BRUSH ASSEMBLY	
		<i>includes index numbers 11 through 13</i>		--	52001	HYDRAULIC MOTOR 3000W GENER	
15	44950	VALVE,RELIEF,1500 PSI***.....	1	--	58402	BRIDGE,50A FULL WAVE**	
16	53976	MANIFOLD,GENERATOR.....	1	--	58944	BRUSH 3/8 X 1/4 X 15/16(36928)	
		<i>includes index numbers 11 through 15</i>		--	58954	O-RING,SPACER #115*** <i>for pump</i>	
17A	58301	GENERATOR,2000W,HYDRAULIC***.1		--	T111608	SEAL,RETAINING RING <i>for pump</i>	
		<i>includes index number 18</i>		--	T111609	SEAL,SHAFT <i>for pump</i>	
--	32732	RECTIFIER ASSEMBLY		--	T111610	SPACER <i>for pump</i>	
--	32734	BRUSH ASSEMBLY		--	T111611	BEARING,MOTOR <i>for pump</i>	
--	32736	MOTOR,HYDRAULIC GENERATOR					
--	58402	BRIDGE,50A FULL WAVE**					
17B	36928	GENERATOR,2500W HYD.220/50HZ.....	1				
		<i>includes index number 18</i>					
--	147836	SEAL, GASKET, .00075" *GOLD* <i>for pump</i>					
--	147837	SEAL, GASKET, .0005" *SILVER* <i>for pump</i>					
--	147838	SEAL, GASKET, .0010" <i>for pump</i>					

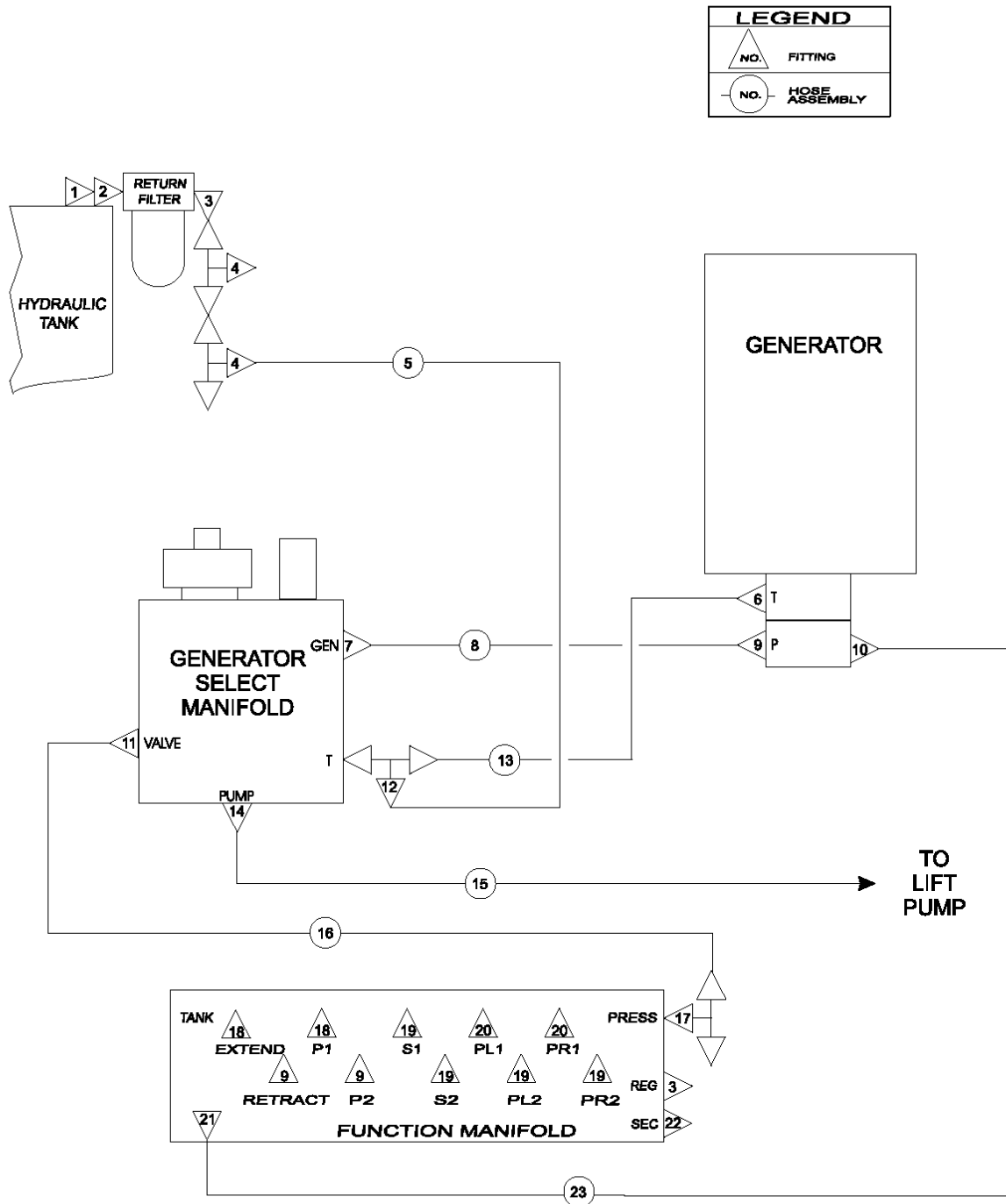
804.1 Generator and Spare LPG Tank (continued)

Item	Part No.	Description	Qty.
--	T111612	RETAINING RING <i>for pump</i>	
--	T111613	SHAFT,MOTOR <i>for pump</i>	
18	32735	VALVE,PRI. FLOW REG 4.3.....1 <i>2000W / 2500W models</i>	
--	65841	PRIORITY FLOW CONTROL VALVE.....1 <i>3000W models</i>	
19	34876P-S	PLATE,GENERATOR MOUNTING.....1	

804.1 Generator and Spare LPG Tank
(continued)

This Page Intentionally Left Blank

805.1 Hydraulic Hoses and Fittings - Generator Option

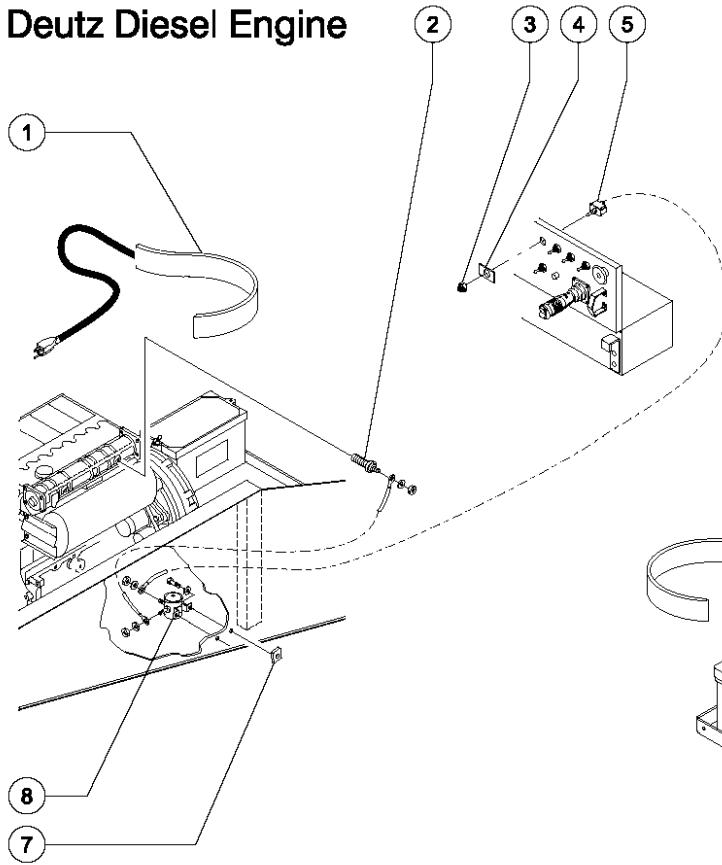


805.1 Hydraulic Hoses and Fittings - Generator Option

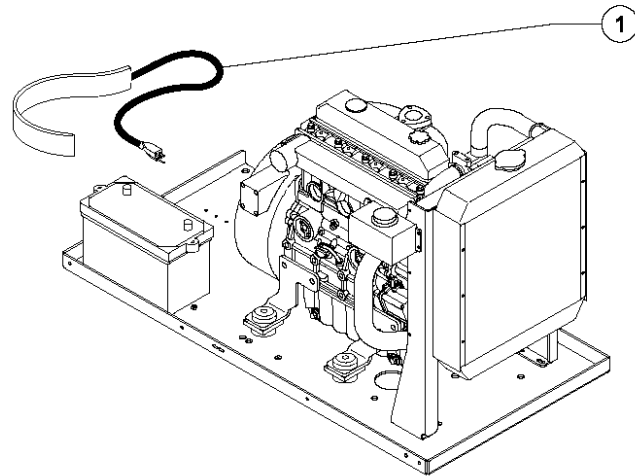
Item	Part No.	Description	Qty.
--	49612	O-RING KIT (ORFS FITTINGS)	
--	49613	PLUG AND CAP KIT-SERVICE,ORFS*	
1	48986	CONN,520102-16.....	1
2	49512	ELBOW,90DEG,FEM,1"NPT.....	1
3	49515	ELBOW,90D,520202-12-16.....	2
4	48964	FITTING,TEE,RUN,SWIVEL52043212.2	
5	49142-7112	HOSE ASSEMBLY,1/2,90FEM,STR FEM..... <i>(components: 48822, 48839 and 48756 @ 68.5 inches)</i>	1
6	49203	ELBOW,45D,520320-10-8.....	1
7	48933	CONN,520120-8***.....	3
8	49143-2979	HOSE ASSY,1/2,90 FEM,STR FEM..... <i>(components: 48822, 48827 and 48756 @ 27.5 inches)</i>	2
9	48937	ELBOW,45D,520320-8.....	3
10	48905	CONN,520120-4***.....	1
11	48960	FITTING,CONN,520120-12.....	1
12	48935	TEE,RUN,520428-8.....	1
13	65513	HOSE ASSEMBLY, 1/2"..... <i>(components: 48827, 48828 and 48756 @27.5 inches)</i>	1
14	48958	CONN,520120-10-12.....	1
15	49101-7800	HOSE ASSEMBLY,5/8"..... <i>(components: 48833, 48840 and 48759 @ 75 inches)</i>	1
16	49101-5600	Hose Assembly - Components: @ 53.1 inches (134.9 cm)..... <i>(components: 48833, 48840 and 48759 @ 53 inches)</i>	1
17	48954	TEE,BRANCH,520429-10.....	1
18	48934	CONN,LONG,520122-8.....	2
19	48916	FITTING,CONN,520120-6.....	4
20	48917	CONN,LONG,520122-6.....	2
21	48912	CONN,520120-4-6***.....	1
22	48930	FITTING,CONN,520120-6-8***.....	1
23	49117-3391	HOSE ASSY,1/4,90 FEM,STR FEM..... <i>(components: 48800, 48802 and 45751 @ 32 inches)</i>	1

806.1 Cold Start Package

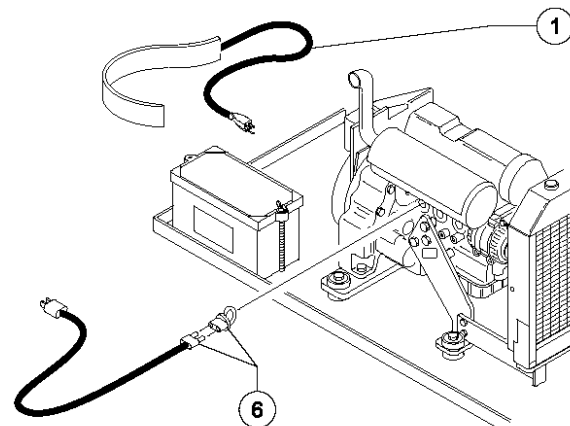
Deutz Diesel Engine



Perkins Diesel Engine



Ford Gasoline/LPG Engine

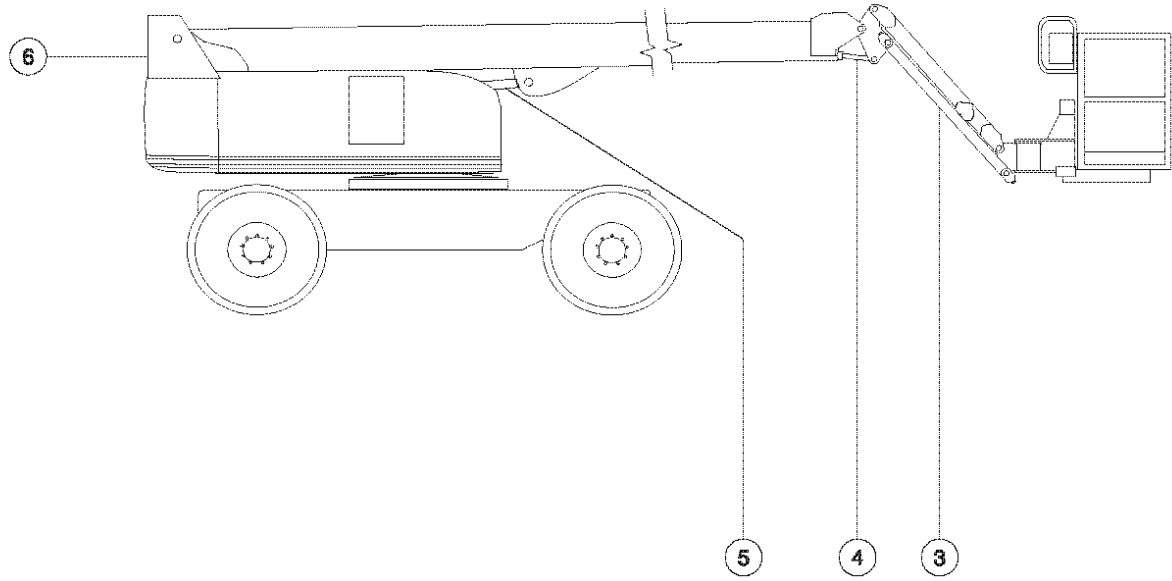
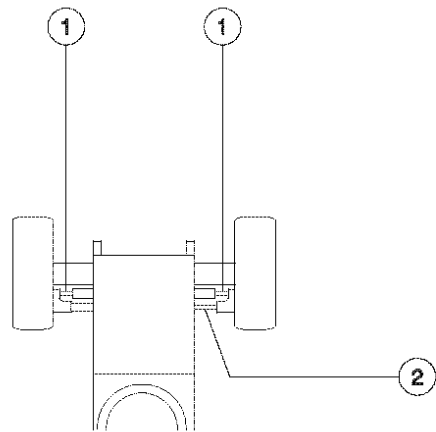
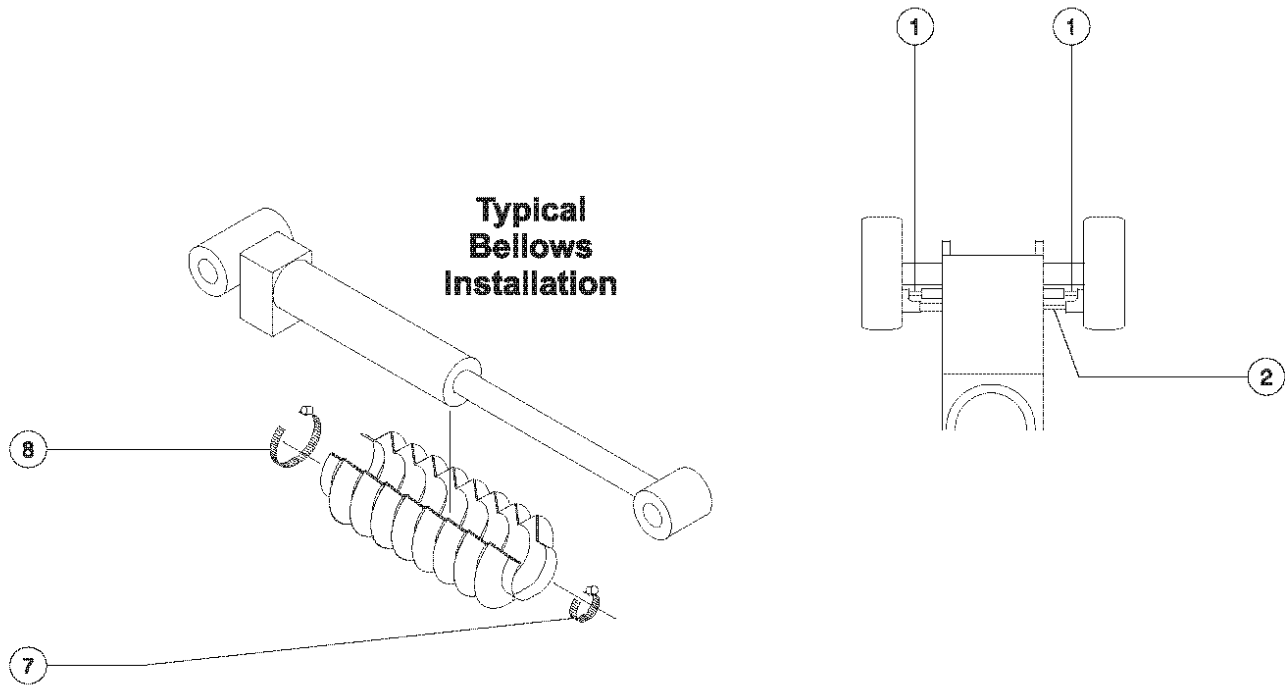


806.1 Cold Start Package

Item	Part No.	Description	Qty.
--	53156	COLD START,FORD, BIG BOOM	
--	53159-S	COLD START PKG,DEUTZ,BIG BOOM	
--	53982	COLD START PKG,PERKINS,BB	
1	28853	BLANKET,BATTERY.....	2
2	31408	GLOW PLUG,L1011..... <i>Deutz Diesel models</i>	1
3	27246	BOOT,TOGGLE SWITCH,SHORT*..... <i>Deutz Diesel models</i>	1
4	32726	DECAL,OPTION GLOW PLUGS***..... <i>Deutz Diesel models</i>	1
5	128200	SWITCH TOGGLE ASSY SPDT 3P MOM..... <i>includes mounting fasteners; Deutz Diesel models</i>	1
6	35610	HEATER,FREEZE PLUG,FORD LRG423..... <i>Gasoline/LPG models</i>	1
7	56912	SPRING CLIP,1/4-20,.025-.15X.5.....	2
8	27155	SOLENOID,12V CONTINUOUS***..... <i>Deutz Diesel models</i>	1

807.1 Hostile Environment Package - Cylinders Bellows

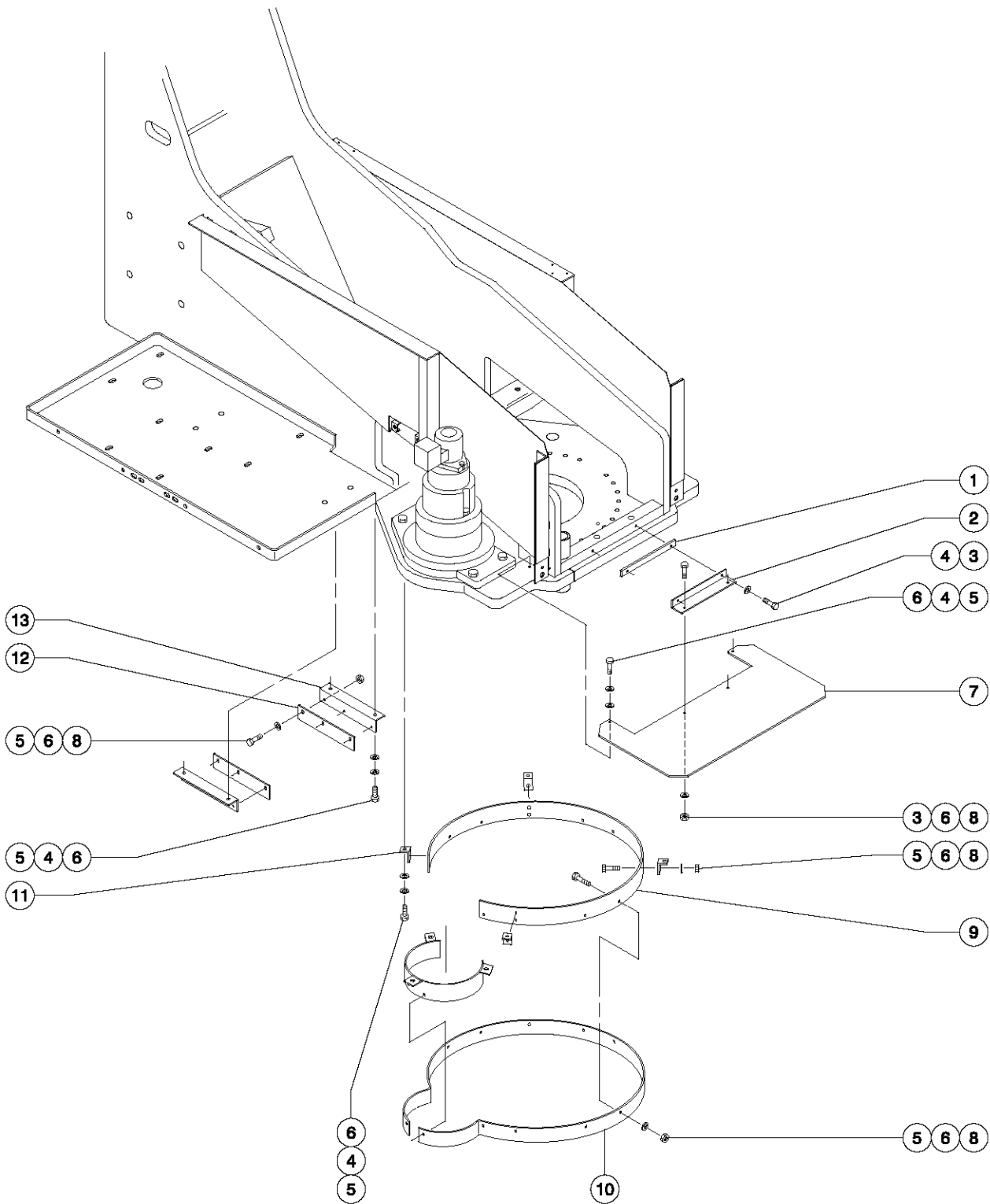
**Typical
Bellows
Installation**



807.1 Hostile Environment Package - Cylinders Bellows

Item	Part No.	Description	Qty.
--	34107	S80 STD HOSTILE ENVIRONMENT PK	
--	53617-S	S80 DELUXE HOSTILE ENVIRONMENT	
1	34533	COVER,PROTECTIVE,STEER CYL.....	2
2	34532	COVER,PROTECTIVE,TIE ROD CYL.....	1
3	34505	COVER,PROTECTIVE,JIB CYLINDER.....	1
4	34503	COVER,PROTECTIVE,SLAVE W/JIB.....	1
5	34531	COVER,PROTECTIVE,LIFT CYLINDER.....	1
6	34501	COVER,PROTECTIVE,MASTER W/JIB.....	1
7	36208	CLAMP,HOSE,1.25***	6
--	30489	CLAMP,HOSE,3.50.....	1
8	30971	CLAMP,HOSE,3.00".....	6
--	31523	CLAMP,HOSE,8.50 DIA ***	1

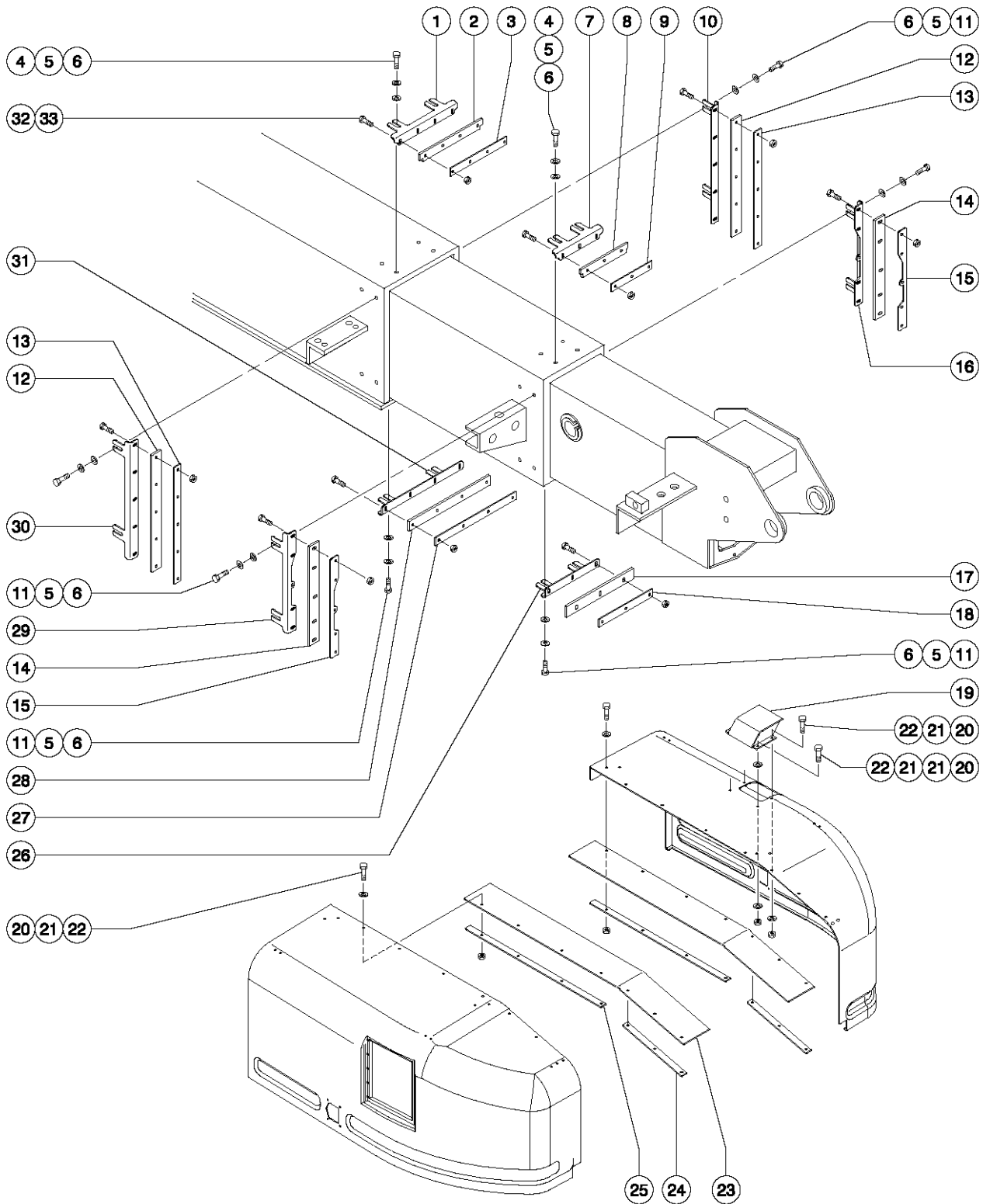
808.1 Hostile Environment Package - Turntable



808.1 Hostile Environment Package - Turntable

Item	Part No.	Description	Qty.
1	35424P	FLATBAR,CHASSIS SPACER BLUE.....	1
2	35423P	ANGLE,FRONT CHASSIS GUARD BLUE.....	1
3	6888	SCREW,HHC,1/4-20 X 1.....	2
4	6356	WASHER,LOCK,.25.....	14
5	6090	SCREW,HHC,1/4-20 X .75.....	34
6	6638	WASHER,FLAT,USS,1/4"Y.....	36
7	34992P	PLATE,FRONT CHASSIS GUARD,BLUE.....	1
8	6091	NUT,NYLOCK,1/4-20.....	26
9	35419P	BRACKET,RING GUARD.....	1
10	35421	WIPER,RING GEAR.....	1
11	81062P	ANGLE,RING GUARD *PAINTED....	4
12	53633	WIPER, RING GEAR.....	2
13	35420P	BRACKET,RING GUARD MTG.BLUE.....	2

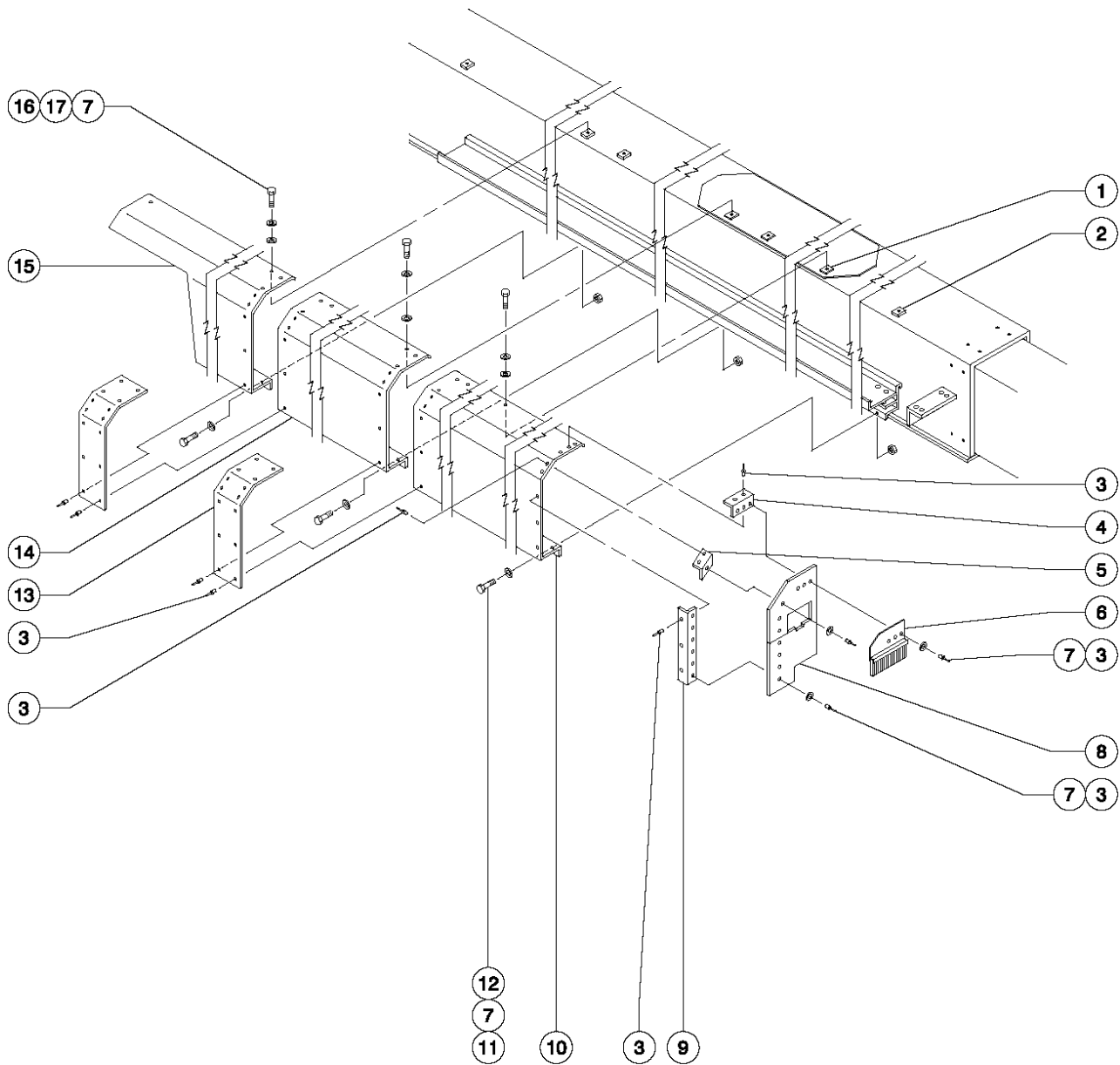
809.1 Hostile Environment Package - Boom and Turntable Covers



809.1 Hostile Environment Package - Boom and Turntable Covers

Item	Part No.	Description	Qty.
1	63179P	WIPER BRACKET, PNTD.....	1
2	63171	WIPER.....	1
3	63172P	BACKING PLATE, PNTD.....	1
4	6019	SCREW,HHC,3/8-16 X 1.25 GRD 5.....	4
5	6021	WASHER,LOCK,.375.....	16
6	5397	WASHER,FLAT,USS,5/16",Y.....	16
7	63135P	WIPER BRACKET, PNTD.....	1
8	63174	WIPER.....	1
9	63168P	BACKING PLATE, PAINTED.....	1
10	63143P	WIPER BRACKET, PNTD.....	1
11	8516	SCREW,HHC,3/8-16 X 1.50,GR5.....	12
12	63144	WIPER.....	2
13	63170P	BACKING PLATE, PNTD.....	2
14	63138	WIPER.....	2
15	63167P	BACKING PLATE, PNTD.....	2
16	63176P	WIPER BRACKET, PNTD.....	1
17	63136	WIPER.....	1
18	63175P	BACKING PLATE, PNTD.....	1
19	34359-S	EXHAUST HOOD WELDMENT.....	1
20	6888	SCREW,HHC,1/4-20 X 1.....	18
21	6638	WASHER,FLAT,USS,1/4"Y.....	6
22	6091	NUT,NYLOCK,1/4-20.....	18
23	34381	FLAP,SWING CHASSIS COVER.....	2
24	34389P	BAR,FLAP REINFORCING 23" BLUE.....	2
25	34388P	BAR,FLAP REINFORCING 37.5 BLUE.....	2
26	63177P	WIPER BRACKET, PNTD.....	1
27	63182P	BACKING PLATE, PNTD.....	1
28	63181	WIPER.....	1
29	63137P	WIPER BRACKET, PNTD.....	1
30	63180P	WIPER BRACKET, PNTD.....	1
31	63141P	WIPER BRACKET, PNTD.....	1
32	6878	BOLT,CARRIAGE,1/4-20 X .75,G2.....	34
33	6889	NUT,LP NYLOCK,1/4-20.....	34

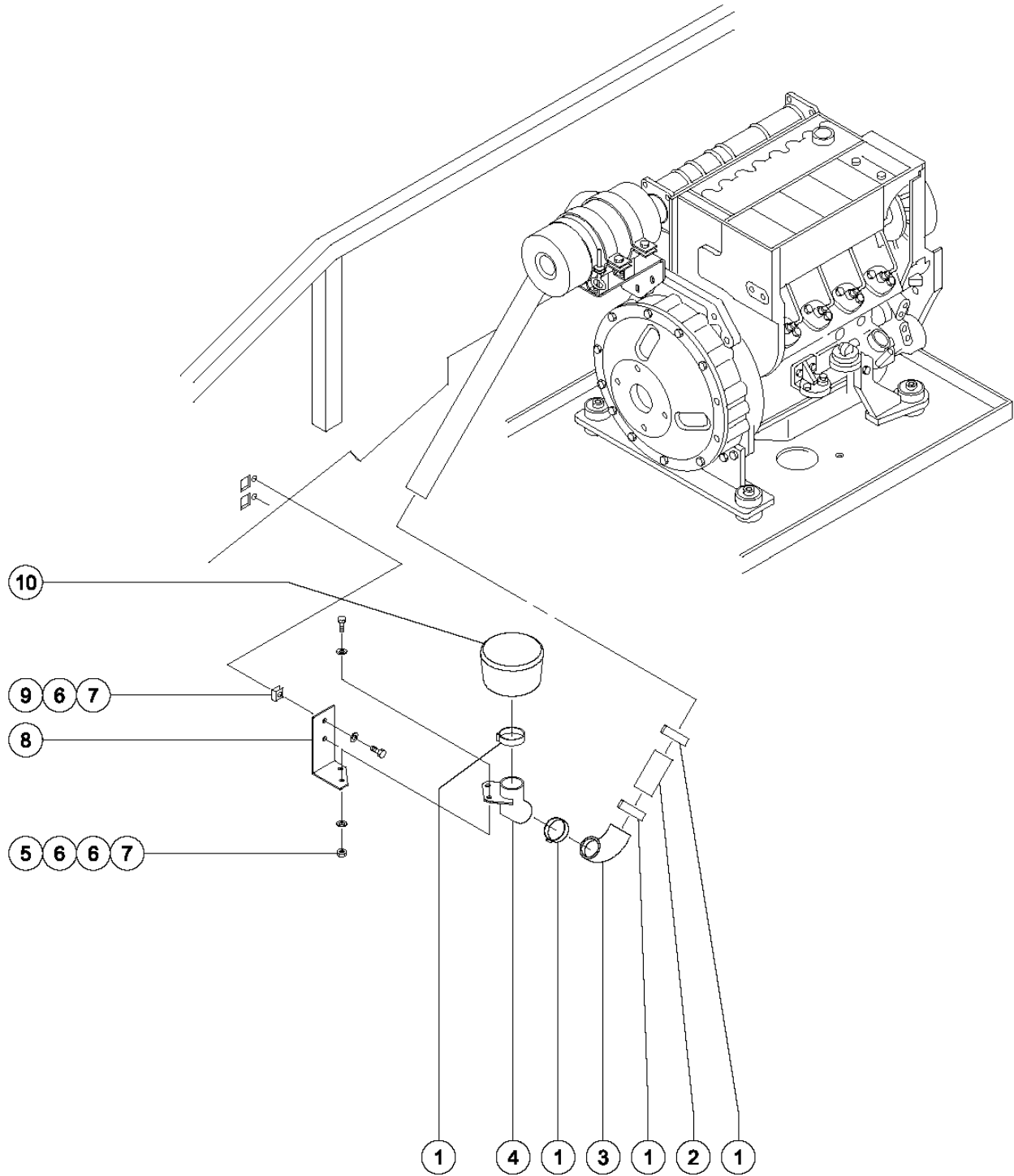
810.1 Hostile Environment Package - Cable Track



810.1 Hostile Environment Package - Cable Track

Item	Part No.	Description	Qty.
1	49626	BOLT PAD,CBL.TRK.CVR.,.50**.....3	
2	49625	BOLT PAD,CBL.TRK.CVR.,.75**.....12	
3	12037	RIVET,STL,STL,P,.25 X .5.....45	
4	53144	BRACKET,CBL TRK GASKET,S60/80.....1	
5	53145	BRACKET,CBL TRK GASKET,S60/80.....1	
6	53146	BRUSH,CABLE TRACK COVER, 6.69.....1	
7	6638	WASHER,FLAT,USS,1/4"Y.....47	
8	49624	END COVER GASKET,CBLE TRCK CVR.....1	
9	53143	BRACKET, CABLE TRACK GASKET.....1	
10	49621	COVER, CABLE TRACK,100.00".....1	
11	6090	SCREW,HHC,1/4-20 X .75.....13	
12	6889	NUT,LP NYLOCK,1/4-20.....13	
13	49623	JOINT COVER,CABLE TRACK.....1	
14	49622	COVER, CABLE TRACK, 96.00".....1	
15	53481	COVER, CABLE TRACK, 96.00".....1	
16	8914	SCREW,HHC,1/4-20 X .625.....15	
17	6356	WASHER,LOCK,.25.....15	

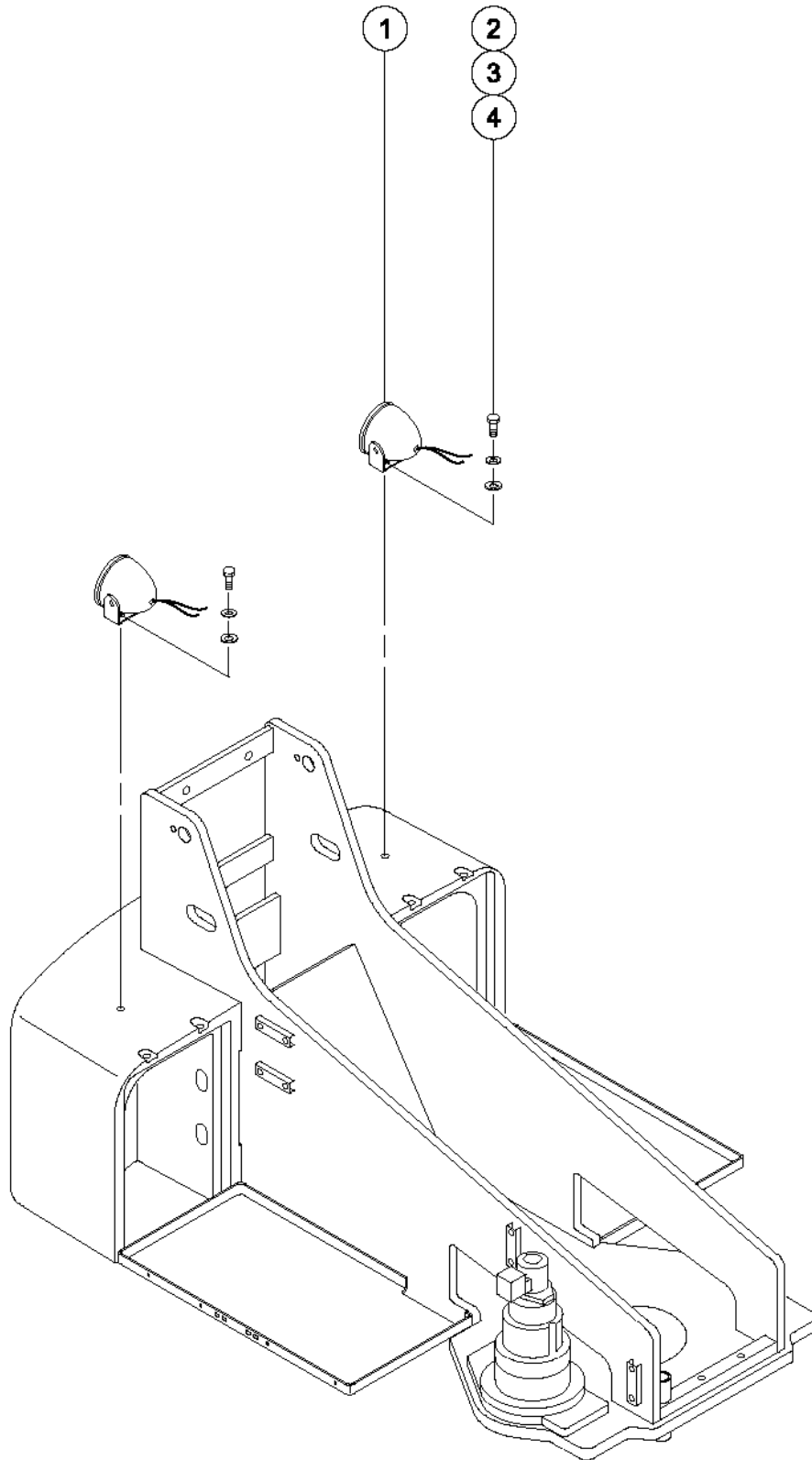
811.1 Hostile Environment Package - Engine Air Cleaner



811.1 Hostile Environment Package - Engine Air Cleaner

Item	Part No.	Description	Qty.
--	102007	OPT,PRECLEANER,PERKINS,S40	
--	36873	S60,80 HOSTILE ENVIRONMT,DEUTZ	
1	30971	CLAMP,HOSE,3.00".....	4
2	35067-800	TUBE,RD,ALUM 2.5 X .083.....	1
3	34164	ELBOW,90 DEGR,RUBBER,2.5" I.D.*.....	1
4	34526	WELDMENT,PRECLEANER MOUNT.....	1
5	4828	NUT,NYLOCK,3/8-16.....	2
6	6097	WASHER,FLAT,USS,3/8",Y.....	6
7	6175	SCREW,HHC,3/8-16 X 1.....	4
8	53129	BRACKET, PRE-FILTER.....	1
9	29868	SPRING CLIP,3/8-16.....	2
10	34959	PRECLEANER,AIR INTAKE***.....	1

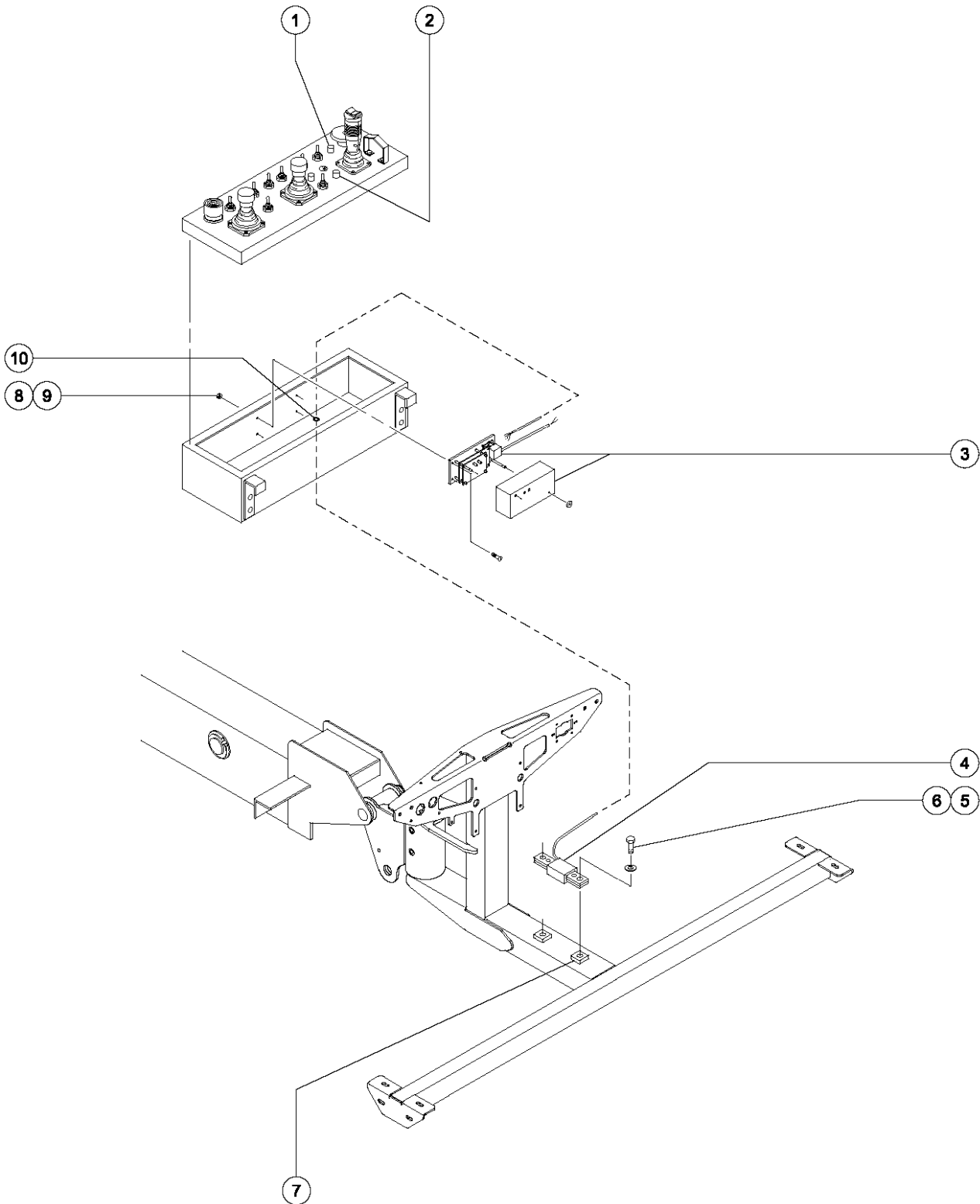
812.1 Drive Light Option



812.1 Drive Light Option

Item	Part No.	Description	Qty.
--	72867	DECAL,LABEL,LIGHTS***	
1	35960	BULB,WORKLIGHT,12V 35W.....	2
2	8255	SCREW,HHC,3/8-16 X .75.....	2
3	6021	WASHER,LOCK,.375.....	2
4	5397	WASHER,FLAT,USS,5/16",Y.....	2

813.1 Load Sensor Option



813.1 Load Sensor Option

Item	Part No.	Description	Qty.
1	824879	LIGHT,LED IND. RED 12V NH.....1 <i>Diesel models, (Complete LED light assembly)</i>	1
--	229567	PLUG, SANTOPRENE .5 BLACK DOME.....1 <i>Gasoline/LPG Models</i>	1
2	824879	LIGHT,LED IND. RED 12V NH.....1 <i>Gasoline/LPG Models, (Complete LED light assembly)</i>	1
--	229567	PLUG, SANTOPRENE .5 BLACK DOME.....1 <i>Diesel Models</i>	1
3	56766	MODULE,LOAD SENSE,W/12V RELAY.....1	1
4	56765	LOAD CELL BENDING TYPE.....1	1
5	8255	SCREW,HHC,3/8-16 X .75.....2	2
6	57201	WASHER,FLAT, 313, HARDENED.....2	2
7	63397	BLOCK,LOAD SENSOR.....2	2
8	12344	NUT,NYLOCK,6-32.....4	4
9	49820	SCREW,PHILLIPS,PHM,6-32 X .5...4	4
10	42646	GROMMET,RUBBER .25 X .50"OD.....1	1

Part Number Index

The Part Number Index is a numeric index of all part numbers included in this manual. The index shows what page(s) the part is used on.

Part Number	Page	Part Number	Page	Part Number	Page	Part Number	Page
10107	137	128724	187	18596	157	23057	75-76, 79-80,
101726	113	12906	137, 139	18665	133-134		93-94, 97
101727	109	12960	133-134, 195,	18963	209	23404	133-134
102007	231		197	19274	197, 199-200	23680	203
102119	84	12981	17, 31, 45, 61	19418	17, 45	23688	203
10256	123-124, 127-128	13002	84, 93-94, 99,	19487	107, 109, 111,	23938	49, 51
			103, 137, 139		113	24038	87
102992	191, 193	13014	87	19491	123-124, 127-128,	24470	84
10597	25-26, 29, 31, 55-56, 59, 61, 123-124, 127-128, 155, 167-168, 189	13064	25-26, 29, 47, 55-56, 59, 87, 91, 115-116, 123-124, 127-128		128, 155, 163-164	24495	199-200, 205
10598	17, 45, 87	13066	47, 123-124, 127-128	19506	131	24495H	200, 205
106100	155			19712	203, 205, 207	24514	193
106421	167-168	13268	133-134, 197	19720	205	24552	75-76
10775	195, 197	133518	11-12	19731	205	24667	56, 59
109802	91, 99	13471	131	19792	174, 177	24668	25-26, 29
111172	167-168	13482	191	19794	123-124, 128	25284	15, 31, 43, 61,
111381	215-216	13585	195, 197	19969	215-216		155
111526	211	13775	167-168, 189	20224	21, 35, 49, 51,	25388	137
11335	33, 63	13852	167-168, 173-174		65-66, 120	25567	111
11637	123-124, 127-128			20262	191	25571P-S	83-84
		13854	124, 128	20424	199-200, 203	25683	15, 43, 155, 167-168, 171, 173-174, 177
119536	187	13918	17, 45, 123-124, 127-128, 161, 163-164	20424H	199-200, 203		
119542	187			20654	123-124, 127-128	25807	133-134
119562P	211	139189	127-128			25808	133-134
119619	15, 43	139308	128	20776	133-134	25837	133-134
119642	211	139309	128	20880	83-84, 94, 99	25881	203
119795	211	139310	127-128	20973	191	25882	203
119796	211	139311	127-128	21121	131, 191	25883	203
119797	211	139312	127-128	21130	93-94, 99	25884	203
119950	211	139313	127-128	21141	107, 109, 111,	25929	75-76, 79-80
12016	33, 63	139314	127-128		113	25967	107, 109
12037	229	139315	128	21148	127-128	25974	133-134
121599	133-134	139323	128	21175	87, 89, 105	25994	11-12
122019	209	139451	191	21434	205	27010	75-76, 84
122058	87, 94, 105	139624	94	21465	103, 107, 109,	27033P-S	199-200
122366	131	139666	94		111, 113	27034	87
122512	131	139709	89	21496	93-94, 99	27035	167-168
122513	199-200	139958	211	21604	177	27067	83-84, 91, 97
122514	131, 199-200	139962	47	21618	83-84, 91, 139	27089	107, 109, 111,
122606	131	14041	133-134, 195,	216248	123-124, 127-128		113
122713	161		197			27115	195, 197
122714	161	144161	137	216249	123-124, 127-128	27116	199-200
122944	167-168, 171, 173-174, 177	146165	119-120			27133	205, 207
12344	195, 197, 235	146174	115-116, 119-120	21935	120	27134	205, 207
12443	191			22052	195, 197	27135	205
12461	15, 43	146175	115-116, 119-120	22279	84	27142	83-84
1254826	93-94			22349	141	27155	221
1255653	93-94	146478	131, 199-200	22364	203	27204	12
1259054	75-76, 79-80	147094	131	22366	203	27205	12
1259704	211	147289	115-116	22367	203	27206	12
1262218	133-134	147290	115-116	22368	203	27207	12
1268	11-12	147558	25-26, 29, 47, 55-56, 59	223763	120	27211-0250	79-80
128200	131, 199-200, 221	147559	25-26, 29, 47, 55-56, 59	22541	123-124, 127-128	27246	131, 133-134,
128201	131, 133-134, 199-200	147836	215-216				199-200, 215-216, 221
128202	131, 199-200	147837	215-216	22578	93-94	27258	163-164
128204	131, 199-200	147838	215-216	22585	107	27287	131
128205	199-200, 215-216	147839	215-216	226393	209	27377	137, 139
		14815	15, 43	22672	76, 79-80	27497	115-116
128206	199-200	1484	11-12	22700	87, 91, 94, 97	27507	75-76
128368	211	1487	211	227150	157, 167-168,	27511	207
128454P	187	1488	211		171, 173-174,	27512	207
128482	187	15243	133-134	227516	193	27514	207
128483	187	16439	17, 45	227785	123-124, 127-128	27524	205
128501	187	16584	91, 97			27535	215-216
128513	187	17626	191	22788	83-84, 127-128	27564	11-12
128515	187	18189	87, 94, 105	22811	25-26, 29, 55-56, 59, 124, 128	27586	107
128519	187	18218	107			27698	155
128534	187	18503	84, 99	22832	163-164	27761	21, 49, 51
128578	199-200	18506	19	228466	193	27801	120
				229567	131, 195, 199-200, 235	27802	120
				22965	83-84, 91, 97	27804	120
				229768	193	27807	120
						27814	23, 53, 120, 177
						27915	93-94

Part Number Index (continued)

Part Number	Page	Part Number	Page	Part Number	Page	Part Number	Page
27916	84, 93-94	30230P-S	83-84, 94	32675	47	33960	76, 79-80
27943	87	30255	157, 167-168,	32698	89	33963	76, 79-80
27953	15, 43		171, 173-174,	32710	191	33964	76, 79-80
28076	87, 89, 103		177	32722	167-168, 173-	33965	76, 79-80, 87
28131	191	30286	167-168, 189		174	33966	76, 80
28157	12	30418	17, 31, 45, 61,	32725	120	33968	75-76, 79-80
28158	11-12		155	32726	11-12, 221	33969	87
28159	11-12	30430	137	32728	215-216	33970	76, 80
28160	12	30438	91	32732	215-216	33972	76
28161	11-12	30468	137	32734	215-216	33985	11-12
28164	11-12	30469	76	32735	216	33986	11-12
28165	11-12	30489	223	32736	215-216	33988	83-84
28171	11-12	30490	111, 113	32748	89	33994	21, 23, 49, 51,
28174	12	30546P-S	107, 111	32749	89		53, 119-120
28175	11-12	30584	107, 111	32932	11-12	33996	133-134, 195,
28176	11-12	30630	215-216	32948	115-116		197
28177	11-12	30674-S	91	32952	124	34052	133-134
28181	12	30677	115-116	32953	123-124	34053	133-134
28234P-S	87	30679-S	87, 89, 103, 105	32955	115-116	34054	133-134
28235	12	30718P	115-116	32959	115-116	34055	133-134
28236	11-12	30731	17, 45	32962	115-116	34056	133-134
28298	133-134	30734	31, 61	32963	115-116	34057	133-134
28301	137, 139	30736	43	32964	115-116	34058	75-76, 79-80,
28310	134	30743-S	137	32967	115-116		101
28443	161, 191	30744-S	139	32975	120	34059	93-94
28646	137	30748	17, 45, 163-164	32996	12	34064-S	15, 17, 43, 45
28647	75-76, 79-80	30757-S	163-164	32997	12	34082	31, 61
28656	75-76, 79-80	30769P-S	93-94	32998	11-12	34106	213
28662	107	30784-975	87, 94, 105	32999	11-12	34107	223
28678	191	30785-1000	93-94, 99	33024	83-84, 91, 97	34124	157, 159
28717	83-84, 87	30794	195, 197	33240P-S	93-94	34125	17, 31, 45, 61,
28750	21, 23, 49, 51,	30806	91	33241P-S	93-94		159, 161
	53, 119-120	30810	75-76, 79-80, 99	33278	123-124, 127-	34126	31
28829	107	30823	168, 173-174		128	34127	19, 25-26, 29,
28853	221	30891	87, 94, 105	33418	87, 89, 103, 105		47, 55-56, 59
28856-S	211	30894P-S	139	33428	15, 17, 31, 43,	34131	155
29066	177	30895	123-124, 127-		45, 61, 155, 173-	34134	26, 29, 56, 59
29073	93-94, 99		128		174, 177	34135	26, 29, 56, 59
29080	17, 31, 45, 61,	30945	173-174, 177	33433	47	34162-3150	93-94, 99
	157, 159	30966	93-94	33434	47	34164	93-94, 99, 231
29137	111, 113	30966-0575	79-80	33435	25-26, 55-56	34165	161
29290	127-128	30967	93-94	33436	25-26, 55-56	34167P-S	161
29291	124	30971	79-80, 84, 223,	33437	25-26, 55-56	34168	161
29293	124		231	33440	25-26, 29, 47,	34169	161
29314	137, 139	30973	137, 139		55-56, 59	34170-S	157
29382	123-124, 127-	30997	134, 195, 197	33441	25-26, 29, 47,	34177	161
	128	31060	11-12		55-56, 59	34178	161
29436	83-84, 91, 97	31078	15, 43	33443	25-26, 55-56	34180	161
29550	89	31100	120	33444	25-26, 29	34202-S	163-164
29555	89	31120	211	33445	124	34206	61
29557	93-94	31283	207	33447	123-124	34206P-S	31
29558	91	31284	207	33448	19, 47	34207	17, 45
29559	91	31408	221	33453	115-116	34215	31, 61
29560	93-94	31411	163-164	33455	115-116	34216	31, 61
29606	75-76, 83-84	31498	167-168, 173-	33456	23, 53	34218P-S	31, 61
29616	75-76, 83-84		174	33467	25-26, 55-56	34219P-S	25-26, 29, 55-
29737	49	31506	107, 109, 111,	33469	26, 29, 56, 59		56, 59
29739	83-84, 91, 97		113	33471	123-124	34245	15, 43
29743	120	31507	107, 109, 111,	33472	115-116	34265	89
29744	116, 120		113	33511	120	34268	157
29746	31, 61	31519	124, 128	33520	21, 49	34269	155
29764	167-168, 171,	31523	223	33521	49, 51	34270	155
	189	31524	107, 109, 111	33555	137, 139	34271	155
29868	87, 89, 103, 115-	31658	107, 109, 111,	33557	123-124, 155	34273	31, 61
	116, 137, 139,		113	33562	49, 51	34274	43
	141, 231	32150	11-12	33568	215-216	34275	15, 43
29883	17, 31, 45, 61,	32151	11-12	33576	193	34276	15, 43, 155
	87, 91, 115-116	32309	75-76, 79-80	33629	195, 197	34277	17, 45
30080	11-12	32339	87, 173-174, 177	33674	211	34284P-S	159
30137	159	32611	83-84, 91, 97	33724	195, 197	34290P-S	15, 43
30138	157, 159	32637	133-134, 195,	33729	91	34321-S	211
30143	87, 94, 105		197	33822P-S	155	34323	163-164
30144	87, 94, 105	32638	133-134, 195,	33823	155	34330	123-124
30179	107, 111, 113		197	33952	11-12	34343	17, 31, 45, 61
30219	167-168, 171,	32639	195, 197	33956	11-12	34344	157, 159
	173-174, 177	32669	115-116	33957	75-76, 79-80		

Part Number Index (continued)

Part Number	Page	Part Number	Page	Part Number	Page	Part Number	Page
34347	123-124, 127-128	35600	141	43594	11-12		173-174, 177, 187, 191, 193, 231
34359-S	227	35610	221	43595	11-12		
34363	123-124	35675	173-174, 177	43597	21, 49, 51	48413	207
34381	227	35714	141	43601	83-84, 89	48414	207
34388P	227	35811	133-134	43609	116	48415	120
34389P	227	35818	83-84	43647	11-12	48425	87
34394	163-164	35849	15, 43	43663	12	48470	107, 109, 111, 113
34448	21, 25-26, 29	35934	133-134	43854-S	163-164	48471	75-76
34501	223	35949P-S	137, 139	43859-S	163-164	48473P-S	84
34503	223	35956	211	43936	163-164	48477	75-76
34505	223	35958	211	43955	133-134, 195, 197	48498	84, 87, 99
34526	231	35960	211, 233	43960	133-134, 155, 191, 195, 197	48533	133-134, 195, 197
34531	223	36188	161	44064	91, 94, 97	48536	23, 53, 115-116
34532	223	36203	84	44211	203	48537	115-116
34533	223	36207	161	44212	203	48539	23, 25-26, 29, 53, 55-56, 59
34542	120	36208	76, 79-80, 223	44221	203	48541	123-124, 127-128
34550	123-124, 155	36388	137, 139	44286P	141	48640	120
34551	91	36593	164	44586	115-116	48641	120
34552	33, 63	36873	231	44662	17, 45	48642	120
34619	83-84, 89	36892P-S	15, 43	44743	191	48647	120
34626	19	36897	15, 43	44769	11-12	48648	120
34627	19	36928	215-216	44950	215-216	48649	120
34628	19	37002	83-84, 97	44981	11-12	48658	49, 51
34636	163-164	37003	91	44986	11-12	48684	116
34644P-S	33, 63	37017	84	45066	25-26, 47	48880	21, 49, 51, 120
34645-S	33, 63	37027	83-84, 91, 97	45074	15, 43	48881	35
34646-S	33, 63	37033	93-94	45076	33, 63	48886	179, 183
34647	33, 63	37207	115-116	45161	107, 109, 111, 113	48887	123-124, 127-128
34652	33, 63	37218	124	45171	87	48892	144, 150, 179, 181, 183, 185
34668	31, 61	37499	161	45209	87, 91, 105, 161	48898	143-144, 149-150
34710	123-124, 127-128	37505	89, 103	45226	155, 167-168, 171, 173-174, 177	48900	183
34719P-S	25-26, 29, 56, 59	37948	207	45383	195, 197	48904	35, 65-66, 144, 185
34723P-S	17, 45	37950	89	45385	133-134	48905	144, 185, 219
34729P-S	31, 61	38620	157, 159, 161	45400	115-116, 161	48907	179, 181, 183, 185
34732	33, 63	38621	31, 159	45435	75-76	48909	39, 71
34735-S	33, 63	38859	167-168, 171, 189	45437	195, 197	48911	39, 71, 143-144, 149-150, 179, 183, 185
34742	33, 63	38922	107	45454	97	48912	39, 71, 144, 150, 179, 181, 183, 185, 219
34746	163-164	39591	195, 197	45455	105, 109	48913	183
34747	33, 63	40033	49, 55-56, 59	45462	209	48914	39, 71, 144, 150
34748	33, 63	40134	161	45483	128	48915	35, 39, 65-66, 71, 143-144, 149-150
34749-S	163-164	40434	11-12	45495	123-124, 127-128	48916	39, 71, 143-144, 149-150, 179, 183, 185, 219
34762	127-128	40613	199-200, 207	45543	23, 53, 115-116	48917	144, 150, 179, 181, 183, 185, 219
34766	123-124	40613H	199-200, 207	45546	195, 197	48918	35, 65-66
34769	195, 197	40653	163-164	45782	215-216	48919	143-144, 149-150, 179, 181, 183, 185
34772	17, 31, 45, 61	40665	23, 53	45912	23, 53, 83-84, 89, 105, 120, 174, 177	48920	143-144, 149-150
34798	199-200	40667	17, 45	45913	89, 105, 120, 174, 177	48922	107, 109, 111, 113, 143-144, 149-150
34805	161	40669	17, 45	45914	120, 215-216	48926	143-144, 149-150
34807	161	41029	163-164	45921	120	48927	143-144, 149-150
34808	161	41030	163-164	46014	107, 109, 111, 113		
34809	161	41031P	163-164	46131	75-76, 79-80, 84		
34876P-S	216	41489	128	46164	107		
34927P-S	87	41547P-S	17, 45	46272	207		
34929-S	87	41549	141	46674	83-84, 91, 97		
34942P-S	87	41555	17, 45	46677	163-164		
34943P-S	87	41750	163-164	46678	131		
34954	17, 45	41751	163-164	46750P	163-164		
34959	231	41918	124	46751P-S	163-164		
34961	123-124, 127-128	41920	25-26, 55-56	46752	163-164		
34980-S	141	41921	25-26, 55-56	46765	163-164		
34992P	225	41922	25-26, 55-56	46766	163-164		
35000	120	42157	83-84, 89, 105	46984	209		
35003	195, 197	42191	15, 43	46990	141		
35067	94	42646	235	4828	17, 31, 45, 61, 87, 107, 109, 111, 113, 115-116, 123-124, 127-128, 155, 167-168, 171,		
35067-800	231	4266	33, 63, 83-84, 115-116, 139, 163-164, 211				
35419P	225						
35420P	225	43018	171, 177				
35421	225	43128	163-164				
35423P	225	43169	167-168, 171, 173-174, 177				
35424P	225						
35464	161	43181	197				
35498	89	43191P	163-164				
35586	89	43255	120				
35599	11-12	43392	211				

Part Number Index (continued)

Part Number	Page	Part Number	Page	Part Number	Page	Part Number	Page
48928	143-144, 149-150	49117-15416	179, 181, 183, 185	49150-1805	143-144, 149-150		143-144, 149-150, 179, 181, 183, 185, 219
48929	144, 150	49117-1716	144	49151-2473	35, 65-66		
48930	219	49117-1941	39, 71	49151-5748	143-144, 149-150	49613	21, 23, 35, 39, 49, 51, 53, 65-66, 71, 119-120, 143-144, 149-150, 179, 181, 183, 185, 219
48933	35, 39, 65-66, 71, 144, 150, 179, 181, 183, 185, 219	49117-2241	144, 150	49154-3270	35, 65-66		
48934	144, 150, 179, 181, 183, 185, 219	49117-2291	39, 71	49154-4645	65-66		
48935	39, 71, 143-144, 149-150, 219	49117-2316	39, 71	49156-1956	35, 65-66		
48936	65-66	49117-2441	39, 71	49156-2631	35, 65-66		
48937	179, 181, 183, 185, 219	49117-2591	39, 71	49156-3156	35, 65-66	49621	229
48938	35, 39, 65-66, 71, 144, 150, 179, 181, 183, 185	49117-3916	39, 71	49156-3506	35, 65-66	49622	229
48942	143-144, 149-150	49117-4016	39, 71	49156-4081	65-66	49623	229
48946	143-144, 149-150	49117-4491	39, 71	49156-4206	35, 65-66	49624	229
48947	35, 65-66, 143-144, 149-150	49117-8616	183	49156-4381	143-144, 149-150	49625	229
48948	143-144, 149-150	49118-100000	179, 181, 183, 185	49156-4581	143-144, 149-150	49626	229
48950	144, 150	49118-100400	179, 181, 183, 185	49156-9181	65-66	49735	75-76
48953	143-144, 149-150	49118-11533	35, 66	49156-9881	65-66	49740	84
48954	219	49118-3858	39, 71	49157-3660	35, 65-66	49741	11-12
48958	143-144, 149-150, 219	49119-14203	39, 71	49158-2983	143-144, 149-150	49743	133-134
48959	143-144, 149-150	49119-1703	183	49158-5308	143-144, 149-150	49816	137, 139
48960	35, 65-66, 143-144, 149-150, 219	49119-2603	179	49159-5168	143-144, 149-150	49817	75-76, 79-80
48963	35, 65-66, 144, 150	49119-3428	39, 71	49159-5368	143-144, 149-150	49820	235
48964	35, 65-66, 143-144, 149-150, 219	49119-5353	39, 71	49163-107000	179, 181, 183	49857	189
48968	35, 65-66	49119-6403	39, 71	49177-119794	213	49870	205
48969	143-144, 149-150	49119-7103	39, 71	49181-1240	143-144, 149-150	49881	76, 80
48975	65-66	49119-7353	39, 71	49183-4242	35, 65-66	49887	203
48976	35, 65-66, 143-144, 149-150	49119-8178	185	49184-2451	179, 181, 183, 185	49897	56, 59
48977	143-144, 149-150	49120-107081	181, 185	49189-2963	123-124, 127-128	49898	75-76, 79-80
48984	143-144, 149-150	49120-10856	35, 65-66	49203	219	49899	89
48986	143-144, 149-150, 219	49120-10856	35, 65-66	49209	91	49915	91
48988	143-144, 149-150	49120-2756	143-144, 149-150	49212	213	49916	91
48994	143-144, 149-150	49122-13261	179, 181, 183, 185	49214	213	49917	91
48997	21, 35, 49, 51, 65-66, 120	49122-14036	179, 181, 183, 185	49215	213	49919	91
49101-5600	219	49126-2758	144, 150	49381	101	49921	91
49101-7800	219	49128-1734	144, 150	49384	103	49923	93-94
49104-9334	35, 65-66	49128-2234	144, 150	49386	75-76	49924	93-94
49105-6482	35, 65-66	49128-2334	144, 150	49407	93-94	49926	11-12
49109-15854	179, 181, 183, 185	49128-2500	143-144, 149-150	49408	75-76, 79-80, 93-94, 101	49929	91
49109-8204	179, 181, 183, 185	49128-2634	144, 150	49421P-S	25-26, 29, 55-56, 59	50144-S	167-168, 191
49110-1717	144, 150	49128-2634	144, 150	49424P	43	50576	25-26, 55-56
49116-8037	185	49128-2634	144, 150	49458-S	123-124, 127-128	5094	197
49116-8237	185	49128-5234	35, 65-66	49465	25-26, 29, 55-56, 59, 115-116	52000	215-216
49116-8662	183	49129-5325	143-144, 149-150	49468	116	52001	215-216
49117-11741	39, 71	49130-2957	143-144, 149-150	49512	143-144, 149-150, 219	52076	75-76, 79-80
		49130-3057	143-144, 149-150	49513	143-144, 149-150	52077	75-76, 79-80
		49130-3907	35, 39, 65-66, 71	49515	143-144, 149-150, 219	52078	75-76, 79-80
		49130-4807	144, 150	49520	123-124, 127-128	52081	191, 193
		49130-9757	35, 65-66	49528	123-124, 127-128	52082	191, 193
		49134-1976	143-144, 149-150	49532-S	137	52083	191, 193
		49135-3389-S	91	49534	137	52085	215-216
		49135-4714	39, 71	49535P-S	137, 139	52086-R	215-216
		49136-3272	143-144, 149-150	49537P-S	139	52093	191, 193
		49141-10563	65-66	49609P	89	52156	11-12
		49141-4013	35, 65-66	49610P	87	52179	109
		49142-3187	35, 39, 65-66, 71	49611-S	141	5224	155, 187
		49142-7112	219	49612	21, 23, 35, 39, 49, 51, 53, 65-66, 71, 119-120,	52251	11-12
		49143-2979	219			52352	93-94
		49143-3579	143-144, 149-150			52537	93-94, 99
		49143-7429	35, 39, 65-66, 71			52564	83-84
		49145-1778	143-144, 149-150			52566	75-76, 79-80
						52570	75-76, 79-80
						52573	76, 79-80
						52575	76, 80
						52577	75-76
						52579	75-76, 79-80
						52580	75-76, 79-80
						52592	83-84
						52651	137
						52652	75-76, 79-80
						52656	75-76, 79-80
						52658	84, 93-94
						52661	211
						52726	21, 49, 51
						52762	76, 79-80, 84
						52775	203
						52776	203
						52777	203

Part Number Index (continued)

Part Number	Page	Part Number	Page	Part Number	Page	Part Number	Page
52778	203	53976	215-216	6033	17, 25-26, 29, 31, 45, 55-56,	62241	23, 53
52943	116, 120	53982	221		59, 61, 83-84,	62242	23, 53
52966	12	53996	124		91, 97, 127-128,	62243	120
52967	12	53999	124, 128		155, 167-168,	62244	120
53023	109, 111, 113	54071	83-84, 103		189	62245	11-12
53024	84	54355	177		123-124, 127-	62246	11-12
53052-S	157, 159	54365	133-134	6034	128, 161	62247	120
53081	15	54486	211		6035	62248	53
53114-S	161	54527-S	173-174, 177		6036	62262	173-174
53115-S	161	54817P-S	191, 193, 211			62267	173-174
53116	161	55753	211			62268	115-116
53120-S	107, 109, 215-216	56057	133-134			62273	173-174
		56424	193			62417	167-168, 171,
		56680	26, 29, 56, 59				173-174, 177
53122-S	115-116	56704	209			62420	93-94, 99
53124	84	56765	235			62421	99
53125	75-76	56766	235			62422	99
53129	231	56912	19, 26, 29, 47,			62423	101
53143	229		56, 59, 83-84,			62506	171, 173-174,
53144	229		163-164, 187,				177
53145	229		193, 221			62920	12
53146	229					62921	11-12
53156	221	57075	163-164			62922	12
53157-S	211	57201	235			62923	11-12
53159-S	221	58003-S	195, 197, 199-200			63118	141
53290-S	87					63135P	227
53353	107, 109, 111, 113	58009	155, 157, 159			63136	227
		58020	25-26, 29, 55-56, 59			63137P	227
53404	25-26, 29, 31, 61	58170	93-94, 99			63138	227
53405	25-26, 29, 31, 61	58228	83-84, 91, 97			63141P	227
53409-S	43	58238	47			63143P	227
53411-S	43	58256	93-94	6091	26, 29, 56, 59,	63144	227
53425-S	87	58283	47		75-76, 79-80,	63167P	227
53481	229	58301	215-216		83-84, 91, 103,	63168P	227
53483	25-26, 29, 55-56, 59	58304	127-128		105, 115-116,	63170P	227
		58387	128		133-134, 137,	63171	227
53492-S	15	58402	215-216		139, 163-164,	63172P	227
53493-S	15	58489	115-116		168, 173-174,	63174	227
53527	107, 109, 111, 113	58596	127-128		177, 187, 191,	63175P	227
		58597	128		211, 225, 227	63176P	227
53605	215-216	58598	79-80	6095	87, 89, 103, 141,	63177P	227
5361	163-164	58599	79-80		161	63179P	227
53617-S	223	58900	75-76, 79-80	6096	17, 25-26, 29,	63180P	227
53632P-S	123-124, 127-128	58917	84, 93-94		31, 45, 56, 59,	63181	227
		58923	207		61, 91, 97, 123-	63182P	227
53633	225	58944	215-216		124, 127-128	63200	157, 161
5365	99	58954	215-216		31, 61, 83-84,	63204	155
53758-S	131	58960	23, 53		87, 91, 94, 97,	63209	155
53759-S	131	58967	75-76, 79-80		109, 113, 115-	63210	167-168, 171,
53760-S	131	59050	15, 43		116, 157, 159,		173-174, 177
53761-S	131	59266	15, 43		167-168, 171,	63213	173-174, 177
53820	131	59267	167-168, 171,		189, 231	63217	17, 45
53821P	75-76, 79-80		173-174, 177	6115	89, 105, 163-164	63218	31, 61
53832	75-76, 84	6002	93-94, 137, 139	6145	177, 211	63220	17, 31, 45, 61
53867	91	6019	31, 61, 83-84,	6146	29, 59, 123-124,	63258	75-76, 79-80
53882	139		115-116, 137,		127-128, 137,	63311	211
53903	137, 139		139, 157, 159,		139, 209	63313	97
53909	87, 89, 103		191, 193, 215-216, 227	6147	209	63326P	97
53910	83-84	6021	15, 17, 25-26,	6175	15, 31, 43, 61,	63338	161
53945	93-94, 99		29, 31, 33, 43,		83-84, 87, 89,	63339	161
53948	99		45, 55-56, 59,		91, 97, 103, 107,	63344	155
53951	99		61, 63, 83-84,		109, 115-116,	63349	155
53952	84, 93-94, 99		87, 89, 91, 103,		141, 155, 157,	63350	167-168, 171,
53959	83-84, 91, 97		107, 109, 115-		159, 161, 167-		173-174, 177
53967	133-134		116, 123-124,		168, 171, 189,	63353	173-174, 177
5397	31, 61, 84, 87,		127-128, 137,		215-216, 231	63357	17, 45
	89, 91, 93-94,		139, 141, 155,	6178	75-76, 79-80,	63358	31, 61
	97, 99, 103, 107,		157, 159, 161,		123-124, 127-	63359	15, 43
	109, 111, 113,		163-164, 173-		128, 133-134,	63360	17, 31, 45, 61
	115-116, 123-		174, 177, 187,		137, 139, 191,	63362P	103
	124, 127-128,		215-216, 227,		197, 209	63363P	103
	137, 139, 141,		233	6179	155, 163-164	63364P	103
	155, 161, 163-			6198	15, 43, 87, 123-	63397	235
	164, 187, 191,	6024	87, 89, 103, 115-		124, 127-128	63399P	99
	193, 215-216,		116, 123-124,	62080	115-116	63401P	103
	227, 233		127-128	62240	23, 53	63413	103

Part Number Index (continued)

Part Number	Page	Part Number	Page	Part Number	Page	Part Number	Page
63414	103	6607	120, 155, 163-164	73082	19	81527	19, 25-26, 29, 47, 55-56, 59
63418	103			73084	51		
63419	103	6637	163-164	73085	51	81528	19, 25-26, 29, 47, 55-56, 59
63426	83-84	6638	19, 25-26, 29, 47, 55-56, 59, 75-76, 79-80, 83-84, 87, 89, 91, 93-94, 97, 99, 103, 105, 109, 115-116, 123-124, 131, 133-134, 137, 139, 159, 161, 163-164, 168, 173-174, 177, 187, 191, 193, 199-200, 211, 225, 227, 229	73190	19, 25-26, 29, 47, 55-56, 59	81529	19, 25-26, 29, 47, 55-56, 59
63427	83-84			7339	83-84, 123-124, 159		
63432	163-164			73455	29, 55-56, 59	81530	19, 25-26, 29, 47, 55-56, 59
63433	163-164			73477P	193	81531	19, 25-26, 29, 47, 55-56, 59
63457P	105			73478P	193		
63461	11-12			73574-S	193	81578	137
63462	103			73575	29, 59, 193	81627	79-80
63463	93-94, 99			73587	193	81629	79-80
63464P	97			73593	109, 113	81630	84
6356	17, 19, 26, 29, 45, 47, 56, 59, 83-84, 87, 91, 94, 105, 115-116, 123-124, 127-128, 131, 133-134, 137, 139, 159, 161, 163-164, 168, 171, 177, 193, 199-200, 211, 225, 229	6666	137	73610P-S	193	81631	79-80
		66811	131	73612	87	81640	187
		66812	131, 199-200	73613	87	8170	87, 94, 105
		66813	199-200	73616	173-174, 177	8177	47
		66815	199-200	73634	29, 59	8178	109, 113
		66816	131	73807	167-168, 171, 173-174, 177	8179	163-164, 167-168, 173-174
		66818	131, 199-200	73835	123-124, 127-128	81941	75-76, 79-80
		66821	131, 199-200	73836	123-124, 127-128	81993	15, 43
		6708	17, 45, 87, 89, 103, 141	73862P	123-124, 127-128	824164	157, 167-168, 171, 173-174, 177
65355	101			73899	25-26, 29, 55-56, 59	824879	131, 199-200, 235
65453	75-76, 79-80	67349	101	73919	123-124	8255	25-26, 29, 33, 55-56, 59, 63, 141, 157, 163-164, 187, 233, 235
65454	76, 79-80	6782	25-26, 29, 55-56, 59, 84, 99, 115-116, 137, 139	73928	167-168, 171, 189		
65455	75-76			73931	193		
65456	76, 79-80	6833	93-94	73964	51	825796	157
65473	103	6878	227	73993	93-94	83005	173-174, 177
65477	137	6884	26, 29, 56, 59, 161	73998	163-164	83006	173-174, 177
65478	139			75073	137, 139	83009	128
65487	97	6886	91, 97, 128	75395	167-168, 171, 177	83081	56, 59
65488	101	6888	17, 45, 83-84, 99, 103, 105, 115-116, 133-134, 137, 139, 163-164, 191, 225, 227	75471	84	83088	207
65490	101			75658	124	83124	127-128
65491	101	6889	25-26, 29, 55-56, 59, 75-76, 89, 93-94, 103, 105, 109, 115-116, 116, 161, 163-164, 199-200, 211, 227, 229	75659	124	8516	17, 31, 45, 61, 87, 167-168, 171, 173-174, 177, 227
65492	101			77026	29, 59		
65493	101	6935	133-134, 195, 197	77027	29, 59	8519	33, 63
65494	101			77046	11-12	88348	15, 43
65495	97	7056	133-134, 137, 195, 197	77069	115-116	88349	15, 43
65496	101			77071	115-116	88356-11103	155, 163-164
65497	99	72160	11-12	7713	103, 161, 163-164, 191, 193, 215-216	88356-127J3	155
65498	99	72162	11-12	77139	83-84, 94, 99	8843	195, 197
65499	97	72245	203	77170	87	88451	75-76, 79-80
65500	191, 193	72255	93-94	77181	187	88455	75-76
65500	99	72265	99	77219	79-80	88516	167-168, 171
65501	99	72268	163-164	77239	25-26, 29, 55-56, 59	88903	155
65503	97	72282	209	77240	25-26, 29, 55-56, 59	8914	94, 133-134, 163-164, 199-200, 229
65504	97	72290	83-84, 91, 97	77482	101	8915	25-26, 29, 55-56, 59, 75-76, 79-80, 83-84, 137, 139, 187, 191, 211
65505	101	72326	195, 197, 209	77874	167-168		
65506	101	72327	103	77875	173-174	89617	115-116
65507	101	72356	207	77877	167-168, 171	89785	91
65512	124	7261	26, 56	77885	83-84	89801	173-174, 177
65513	219	7265	137, 211	79456	187	89915P	211
65608	25-26, 29, 55-56, 59, 124	72867	11-12, 233	81007	163-164	94397	173-174, 177
		73030	51	81024	83-84, 105	94398	167-168, 171
65613	141	73075	19	81028	115-116	94621	128
65614	141	73076	19	81043	53, 83-84, 105, 120, 174, 177	94622	128
65616	124, 128	73077	19	81044	116, 120	94623	128
65618	128	73078	19	81062P	225	94624	128
65619	128	73079	19	81175	173-174, 177	94625	128
65766	83-84, 89, 105	73080	19	81197	139	94626	128
65770	75-76, 79-80			81199	99	94794	19
65815	93-94			81331	128	94922	75-76, 83-84
6584	99			81366	128		
65841	216						
65842	167-168, 173-174						
65843	83-84, 91, 97						
65853	99						
65865	56, 59						
65873	163-164						
65875	123-124, 127-128						
6595	137						
6605	161						

Part Number Index (continued)

Part Number	Page
9596	211
9599-S	211
97887	11-12
97890	11-12
T106954	123-124, 127-128
T106955	123-124, 127-128
T106956	123-124, 127-128
T106958	123-124, 127-128
T106959	123-124, 127-128
T106960	123-124, 127-128
T108075	167-168, 171, 173-174, 177
T108076	173-174, 177
T108077	173-174, 177
T108078	167-168, 171, 173-174, 177
T108079	157, 167-168, 171, 173-174, 177
T110729	25-26, 55-56
T111608	215-216
T111609	215-216
T111610	215-216
T111611	215-216
T111612	215-216
T111613	215-216
T114678	93-94

The Part Description Index is an alphabetical index of all part descriptions included in this manual. The index shows what page(s) the part is used on.

2

2WD STR.YOKE WELD.L.H.2ND STG.....15
2WD STR.YOKE WELD.R.H.2ND STG.....15

4

4WD STEER YOKE WELD L.H.,MACH.....43
4WD STEER YOKE WELD. R.H.,MACH.....43

5

5/16-18 X .75 LG.FLG.LCK.SCREW.....19

A

ACCUMULATOR, 430 P S I
PRECHARGE.....115-116
ACTUATOR, FORD EFI PRECISION.....75-76,
79-80
ADAPTER,LP VENTURI.....75-76
ADAPTER,PIPE NIPPLE.....143-144, 149-150
ADAPTER,THROTTLE ACTUATOR***.....75-
76
ADJUSTMENT LUG,1.25-7 PAINTED.....15, 43
ADPTR,ST. THR 3/4-16 FEM PIPE.....99
ADPTR,STR FEM INV 45D 1/4X1/4.....99
AIR CLEANER.....93-94
AIR CLEANER BRACKET, PAINTED.....99
AIR CLEANER,FORD EFI***.....84
AIR CLEANER,NELSON***.....93-94, 99
AIR INTAKE BRACKET, PAINTED.....105
AIR VALVE MIXER.....79-80
AIR VALVE MIXER***.....79-80
ALARM PKG,S60/80***.....209
ALARM,CHIME TONE 5-25VDC***.....209
ALARM,WARBLE TONE 5-30 VDC***.....195,
197
ALARM.INTERMITTENT TONE.24V.....209
ALTERNATOR, DEUTZ F3L10/F4L10*.....89
ALTERNATOR, PERKINS (53883).....97
ALTERNATOR,LRG-423 RE-BUILT*.....76, 79-
80
ANGLE,CABLE TRACK TUBE,PANTD.....163-
164
ANGLE,FRONT CHASSIS GUARD BLUE..225
ANGLE,RELAY MOUNTING.....133-134
ANGLE,RING GUARD *PAINTED.....225
ASSEMBLY,BOOM #1,S80/85.....155, 157, 159
ASSEMBLY,FOOT SWITCH.....193
ASSM, GEN. ONLY, 110V, 60HZ.....215-216
ASSY, CIRCUIT BREAKER 15A.....131
ASSY,RELAY SOCKET, AUTO.....133-134
ASSY,S80/85 #3 BOOM TUBE.....157, 167-
168, 171, 173-174, 177

B

BACKING PLATE, HOSE BLOCK, JIB.....187
BACKING PLATE, PAINTED.....227
BACKING PLATE, PNTD.....227
BACKLASH ADJMNT PLATE S60.....127-128
BAFFLE,AIR,DEUTZ,PAINTED.....89
BAFFLE,AIR,FORD,PAINTED GRAY.....87
BAFFLE,PERKINS,S60/80,PAINTED*.....103
BAFFLE,TANK SIDE,PAINTED.....141
BALL STUD**.....137, 139
BALL,CHECK (32810).....115-116

BAR,AXLE ROTATION STOP,OSC.....31, 61
BAR,FLAP REINFORCING 23" BLUE.....227
BAR,FLAP REINFORCING 37.5 BLUE.....227
BASE, W/1 N.O. CONTACTS***.....199-200
BASE,WITHOUT CONTACTS.....131, 199-200
BATT.CABLE,00,POS.,RED,50".....87, 94, 105
BATTERY CABLE,1/0 GA,BLK 30".....87, 94,
105
BATTERY HOLD DOWN,GROUP 31.....87, 94,
105
BATTERY,12V,1000 CCA GRP 31.....87, 94,
105
BEARING KIT (88921).....127-128
BEARING KIT, AUSCO***.....25-26, 29, 55-56,
59, 124
BEARING KIT,BRAKE,MICO.....25-26, 55-56
BEARING KIT,MICO.....124
BEARING KIT,PLAT ROTATOR,SUPER....167-
168, 171, 177
BEARING KIT,ROTATOR,9K***.....167-168,
173-174
BEARING KIT,WHEEL DRIVE,S60***.....47
BEARING TURNTABLE SEAL***.....123-124,
127-128
BEARING, INNER CONE.....19
BEARING, POLYGON P2055 (59105).....15, 43
BEARING,1.25IDX1.50X1.25L.....15, 43
BEARING,1.5IDX1.75ODX1.5L,PTFE.....15, 43
BEARING,2.50IDX2.75ODX2.00L.....155
BEARING,2.50IDX3.00ODX2.00L.....155
BEARING,FL,1.25ID X 1.41OD X 1.....167-168,
171, 173-174, 177
BEARING,FL,1.25IDX1.5ODX1.25L.....173-
174, 177
BEARING,FLANGED,.376ID (20424).....203
BEARING,MOTOR.....215-216
BEARING,OUTER CONE.....19
BEARING,POLYGON,20DU12.....15, 43, 155,
167-168, 171, 173-174, 177
BEARING,TURNTABLE.....123-124, 127-128
BELLCRANK ASSY W/BEARINGS...173-174,
177
BELT,SERPENTINE,LRG425 EFI***.....75-76,
79-80
BELT,TIMING,FORD LRG423/425EFI.....75-
76, 79-80
BELT,V KIT, PERKINS 704-30.....101
BELT,V, DEUTZ DIESEL ENGINE.....89
BLANKET,BATTERY.....221
BLOCK,LOAD SENSOR.....235
BOLT PAD,CBL.TRK.CVR.,.50**.....229
BOLT PAD,CBL.TRK.CVR.,.75**.....229
BOLT,CARRIAGE,1/4-20 X .75,G2.....227
BOLT,CARRIAGE,1/4-20 X 1.00,G2.....187
BOLT,CARRIAGE,1/4-20 X 2.75,G2.....187
BOLT,CARRIAGE,3/8-16 X1.50,G5.....87
BOLT,COVER,WHEEL DRIVE,W3***.....47
BOLT-FLANGE,M6 X 22MM(52573).....76, 79-
80
BOOT (20424).....203
BOOT(BELLOWS),E-STOP,BLACK.....131,
199-200
BOOT,BATTERY TERMINAL,RED.....87, 94,
105
BOOT,CONTROLLER.....205, 207
BOOT,SOLENOID,29073.....93-94, 99
BOOT,THUMB 20424 JOYSTICK.....203

BOOT,TOGGLE SWITCH,SHORT*...131, 133-
134, 199-200, 215-216, 221
BOX,INSTRUCTION STORAGE.....193
BRACKET, CABLE CLAMP.....163-164
BRACKET, CABLE TRACK GASKET.....229
BRACKET, PANEL WIRE MOUNTING.....131
BRACKET, PRE-FILTER.....231
BRACKET,ACTUATOR ARM MTG,PTD.....93-
94
BRACKET,ACTUATOR PAINTED.....31, 61
BRACKET,AIR CLEANER MTG.PAINT.....93-
94
BRACKET,AIR FILTER,FORD GAS PT.....84
BRACKET,AUX.PUMP MNT.PAINTED.....115-
116
BRACKET,BOTTOM ROD R.H.PAINTED....161
BRACKET,CBL TRK GASKET,S60/80.....229
BRACKET,COVER HINGE,BLUE.....137, 139
BRACKET,HOSE CLAMP.....187
BRACKET,HOSE SUPPORT PAINTED.....25-
26, 29, 56, 59
BRACKET,LIMIT SWITCH EXT,BLUE*.....163-
164
BRACKET,LOWER ROD LH PAINTED.....161
BRACKET,MAP SENSOR,PAINTED.....75-76,
79-80
BRACKET,RING GUARD.....225
BRACKET,RING GUARD MTG.BLUE.....225
BRACKET,SOLENOID MTG,PAINTED.....93-
94
BRACKET,TOGGLE SWITCH.....133-134
BRACKET,WEAR PAD RETENTION.....161
BRACKET,WORK LIGHT MOUNT 5/16".....211
BRACKET-FUEL FILTER (52567).....75-76, 79-
80
BRAKE PORT HARDLINE.....128
BRAKE TUBING.....127-128
BRAKE, WHEEL, 1600 INLB.....25-26, 29, 55-
56, 59
BRAKE,1200 INLB***.....123-124
BRAKE,900 IN*LB.....128
BRIDGE,50A FULL WAVE**.....215-216
BRKT,AIR CLEANER ORIENTATION**.....84,
93-94, 99
BRKT,LIM SW,DRIVE ENBL,PAINTED.....123-
124, 127-128
BRUSH 3/8 X 1/4 X 15/16(36928).....215-216
BRUSH ASSEMBLY.....215-216
BRUSH HOLDER ASSY, 2500W
GENER.....215-216
BRUSH,CABLE TRACK COVER, 6.69.....229
BULB,WORKLIGHT,12V 35W.....211, 233
BULKHEAD,FEMALE X 4.....137
BUMPER, PLASTIC, 1.25 O.D.....211
BUMPER,BATTERY BOX & RAILS.....211
BUMPER,RUBBER***.....83-84, 89
BUMPER,RUBBER,.75 X .50H,STUD.....137,
139
BUMPER,RUBBER-1 X 1.25.....137, 139
BUSHING,SPRING SEAT.....207
BUTTON,PUSH,BLACK W/SEAL***.....199-200
BUTTON,PUSH,RED MUSHROOM
HEAD.....131, 199-200

C

CABLE CLAMP.....163-164

Part Description Index (continued)

CABLE COVER,JIB***.....173-174, 177	CLEVIS YOKE-1/4-28,PLTD W/PIN.....93-94, 99	COUPLER,HUB,15 TOOTH 7/16BOLT*.....83-84, 91, 97
CABLE SQUEEZE CONN.....133-134	CLEVIS,AXLE SWITCH ADJUSTMENT.....33, 63	COUPLER,PUMP TO MOTOR (32810).....115-116
CABLE SQUEEZE CONN.,XTRA LRG.....133-134, 195, 197	COIL WITH DE CONNECTOR.....120	COVER - DEUTZ F4L1011F.....91
CABLE TIE,11.5" BLACK.....161, 191	COIL, 12V, 19972/21623/29069.....120	COVER ASSY W/DECAL,WRD,RH BB.....139
CABLE TIE,4" BLK,HEAT RESISTNT.....131, 191	COIL, ELECTRONIC IGN., FORD.....76, 80	COVER ASSY W/DECALS,L.H. BB.....137
CABLE TRACK TRAY,DRILLED,S80.....163-164	COIL,10V.....116, 120	COVER CASTING,20424 CONTROLLER...203
CABLE TRACK TUBE.....163-164	COIL,12V.DO1 VALVE.....215-216	COVER SUPPORT WELDMNT LH.....137
CABLETRACK,PLATED,117 LINKS....163-164	COIL,GREEN W/ 2 PIN CONNECTOR*.....173-174	COVER SUPPORT WELDMNT RH.....139
CAM ASSY (20424).....203	COIL,SOLENOID,10DSD 10V,W/DIOD.....116, 120	COVER W/DECALS,DR.CHAS.STR.END...19, 47
CAP, COOLANT RET SYS(54071).....103	COIL,SOLENOID,10V.....23, 53, 120, 177	COVER, AUXILIARY POWER SWITCH.....131
CAP, SIDE OIL FILL, PERKINS.....97	COIL,SOLENOID,10V W/ DIODE.....83-84, 89	COVER, CABLE TRACK, 96.00".....229
CAP,DIAGNOSTIC NIPPLE.....21, 49, 51, 120	COIL,SOLENOID,8 DSD 10V,W/DIO.....53, 83-84, 105, 120, 174, 177	COVER, CABLE TRACK,100.00".....229
CAP,DUST.....19	COLD START PKG,DEUTZ,BIG BOOM.....221	COVER, DUCT, WIRING.....133-134
CAP,FILLER BREATHER,3 MICRON**.....107, 109, 111, 113	COLD START PKG,PERKINS,BB.....221	COVER, JIB HOSES/CABLES.....187
CAP,FUEL,DIESEL,1/8"VENT(GRN).....113	COLD START,FORD, BIG BOOM.....221	COVER, SERVO (24667).....56, 59
CAP,FUEL,GAS,1/8"VENT(RED).....109	COLLAR, BOOT RETAINING.....203	COVER,BOOM SECTION #1 PAINTED.....159
CAP,FUEL,GREEN*.....111	CONN,520102-16.....143-144, 149-150, 219	COVER,CABLE TRACK TRAY.....163-164
CAP,FUEL,RED***.....107	CONN,520102-6-6.....107, 109, 111, 113, 143-144, 149-150	C O V E R , C A B L E T R A C K TRAY,DRILLED.....163-164
CAP,OIL FILLER, PERKINS.....99	CONN,520120-10-12.....143-144, 149-150, 219	COVER,CONTROL BOX LID.....211
CAP,OIL FILLER,DEUTZ,DIESEL***.....93-94	CONN,520120-12-10.....65-66	COVER,FRONT DEUTZ ENGINE.....89
CAP,RADIATOR,FORD***.....87	CONN,520120-12-16.....143-144, 149-150	COVER,GFCI,WEATHERPROOF.....195, 197
CAP,RADIATOR,PERKINS/FORD.....103	CONN,520120-16.....143-144, 149-150	COVER,KNOCK OUT HOLE,4 PER BAG.....195, 197
CAPACITOR,TIME DELAY.....197	CONN,520120-4***.....144, 185, 219	COVER,PROTECTIVE,JIB CYLINDER.....223
CARRIER TERMINAL(5 PER BLOCK).....133-134	CONN,520120-4-6***.....39, 71, 144, 150, 179, 181, 183, 185, 219	COVER,PROTECTIVE,LIFT CYLINDER.....223
CASTING,45049, 40612.....205	CONN,520120-4-6.030 ORI.....183	COVER,PROTECTIVE,MASTER W/JIB.....223
CASTING,JACK FT/PAD PAINTED.....17, 31, 45, 61	CONN,520120-4-6.035,ORI.....183	COVER,PROTECTIVE,SLAVE W/JIB.....223
CBV ASSEMBLY.....128	CONN,520120-4-8.....39, 71, 144, 150	COVER,PROTECTIVE,STEER CYL.....223
Check valve.....23, 49, 51, 53, 119-120	CONN,520120-6-4.....143-144, 149-150	COVER,PROTECTIVE,TIE ROD CYL.....223
CLAMP, AIR CLEANER (27915)**.....93-94	CONN,520120-8***.....35, 39, 65-66, 71, 144, 150, 179, 181, 183, 185, 219	COVER,REAR AXLE PAINTED.....25-26, 29, 55-56, 59
CLAMP, CABLE TRACK.....163-164	CONN,520120-8-10.....143-144, 149-150	COVER,SUPPORT WELDMNT,LH.....137
CLAMP, HOSE (53883).....101	CONN,520120-8-12.....143-144, 149-150	COVER-HINGED, GRND CNTRL.....137
CLAMP,0.50,#8 X 1/4,RUB CUSH.....93-94	CONN,BULKHEAD,520601-12.....35, 65-66	COVER-TURNTABLE W/DECALS S80.....141
CLAMP,0.75,#12 X 1/4,RUB CUSH...133-134, 197	CONN,LONG,520122-6.....144, 150, 179, 181, 183, 185, 219	COVER-TURNTABLE W/DECALS S85.....141
CLAMP,1.13,#18 X 1/4,RUB CUSH.....83-84, 91, 139	CONN,LONG,520122-8.....144, 150, 179, 181, 183, 185, 219	COVR W/DECLS,DR CHAS NS END.....25-26, 55-56
CLAMP,1.25X.5 RUBBER-CUSHION.....193	CONN,SQZ,BLK,1/2NPT .38-.50,SM.....133-134, 137, 195, 197	COW CATCHER,PLASTIC.....163-164
CLAMP,1.63,#26 X 3/8,RUB CUSH.....187	CONN,SQZ,1/2NPT .38-.50,90DEG.....123-124, 127-128	CYLINDER, LIFT, S80.....155
CLAMP,1.75,#28 X 3/8,RUB CUSH*.....87, 173-174, 177	CONNECTOR, DEUTZ FUEL SHUTOFF*..93-94	CYLINDER,AXLE EXT,REAR.....31, 61
CLAMP,2.75,#44 X 1/4,RUB CUSH*.....105, 109	CONNECTOR,520120-4 SPEC.....179, 183	CYLINDER,AXLE EXTENSION,FRONT.....17, 45
CLAMP,HOSE 2 5/16-3 1/4.....93-94, 99	CONTACT,N.O.....131	CYLINDER,JACK***.....17, 31, 45, 61
CLAMP,HOSE,.63.....75-76, 79-80, 84	CONTACT,NC.....131, 199-200	CYLINDER,JIB (STICK BOOMS).....173-174, 177
CLAMP,HOSE,1.25***.....76, 79-80, 223	CONTACTOR,LIMIT SWITCH...123-124, 127-128, 155, 163-164	CYLINDER,MASTER***.....155
CLAMP,HOSE,1.75.....76, 79-80	CONTROL BOX COVER, RIGHT SIDE*.....211	CYLINDER,SLAVE,3 X 11.38***.....167-168, 171, 173-174, 177
CLAMP,HOSE,1.75,LINED.....87	CONTROL BOX COVER,LEFT SIDE*.....211	CYLINDER,STEER S80/S85.....15, 43
CLAMP,HOSE,2.25" DIA.....87	CONTROL BOX W/ DECAL,GROUND.....115-116	CYLINDER,TIE ROD, S80/S85.....15, 43
CLAMP,HOSE,2.50****.....75-76	CONTROL BOX W/LID&DECAL,GRND...133-134	
CLAMP,HOSE,3.00".....79-80, 84, 223, 231	CONTROLLER,GLOW PLUG (53883).....105	
CLAMP,HOSE,3.50.....223	COOLANT RETURN SYSTEM,Z45***.....83-84, 103	
CLAMP,HOSE,8.50 DIA***.....223	COOLER-HYDRAULIC OIL.....141	
CLAMP,HOSE,BOTTOM,MOLDED.....163-164	CORROSION INHIBITOR,FOAM.....134, 195, 197	
CLAMP,HOSE,SIZE .25 TO .63.....103, 107, 109, 111, 113	Counterbalance valve.....23, 53, 119-120	
CLAMP,HOSE,TOP,MOLDED.....163-164		
CLAMP,JIB HOSE/CABLE.....187		
CLAMP,JIB HOSE/CABLE,ARCTIC.....187		
CLAMP,MUFFLER,2 1/4" ID.....91		
CLAMP,RUB CUSH,0.75,#12 X 3/8*.....97		
CLAMP,RUBBER CUSHIONED-2 5/32.....115-116		
CLAMP,TWO HOSE.....187		

D

DECAL KIT,INSTRUCT,S80/85DIESL.....11-12
DECAL KIT,INSTRUCT,S80/85GAS.....11-12
DECAL PLATE ASSEMBLY.....193
DECAL, ENGINE SPEC, PERKINS.....11-12
DECAL, PATCH, GEN,ALC-500.....11-12
DECAL,ARROW BLUE.....12
DECAL,ARROW YELLOW LRG 9".....12
DECAL,COMPARTMENT ACCESS.....11-12
DECAL,COSMETIC,4 X 2.....12
DECAL,COSMETIC,4 X 4.....12
DECAL,COSMETIC,GENIE S-80.....12
DECAL,COSMETIC,GENIE S-85.....12
DECAL,COSMETIC,S80.....11-12

- DECAL,COSMETIC,S85.....11-12
 DECAL,DANGER DO NOT ALTER SWTC.....11-12
 DECAL,DANGER,ELEC.HAZ.STAY CLR....11-12
 DECAL,DANGER,GEN SAFETY RULES....11-12
 DECAL,DANGER,NO SMOKING***.....11-12
 DECAL,DANGER,TILT ALARM***.....11-12
 DECAL,DANGER,TIP-OVER,TIRES***.....11-12
 DECAL,DANGER,TIPOVER,AXLES.....11-12
 DECAL,DIESEL.....11-12
 DECAL,GND CONT PNL,S45/60/80**.....11-12
 DECAL,GND CONT PNL,S45/S60/80.....11-12
 DECAL,INSTR,MAX SIDE FRC,ANSI.....11-12
 DECAL,INSTR,SIDE FRC/WIND,AUS.....11-12
 DECAL,INSTRUCT,FOOTSWITCH OPER.....11-12
 DECAL,LABEL,AIRLINE 110 PSI.....11-12
 DECAL,LABEL,LFT/DRV SELECT.....11-12
 DECAL,LABEL,LIGHTS***.....11-12, 233
 DECAL,LABEL,LIQUID PROPANE.....12
 DECAL,LABEL,MANUAL NOT HERE.....11-12
 DECAL,LABEL,UNLEADED GAS ONLY.....11-12
 DECAL,LANYARD ANCHORAGE POINT...11-12
 DECAL,NOTICE, FORD ENG SPEC**.....11-12
 DECAL,NOTICE, FUNCTION ENABLE*.....12
 DECAL,NOTICE,AIR INLET***.....11-12
 DECAL,NOTICE,DEUTZ ENG SPEC.....11-12
 DECAL,NOTICE,DEUTZ ENG SPEC**.....11-12
 DECAL,NOTICE,EXT AXLE OPER.....12
 DECAL,NOTICE,FORD EFI ENG SPEC.....11-12
 DECAL,NOTICE,HAZARDOUS MAT'LS*.....11-12
 DECAL,NOTICE,MAX LOAD 500 LBS.....11-12
 DECAL,NOTICE,MAX LOAD 600 LBS.....11-12
 DECAL,NOTICE,MAX LOAD 750 LBS.....11-12
 DECAL,NOTICE,OPER INST.IC***.....11-12
 DECAL,NOTICE,SHUTOFF VALVES.....11-12
 DECAL,NOTICE,TIRE PRESSURE.....11-12
 DECAL,OPTION GENERATOR***.....215-216
 DECAL,OPTION GLOW PLUGS***.....11-12, 221
 DECAL,PLATFORM CTRL PANEL.....11-12
 DECAL,POWER TO PLATFORM 115V.....12
 DECAL,POWER TO PLATFORM 230V.....12
 DECAL,PROTECTOR,CLEAR,PLATE.....11-12
 DECAL,TRIANGLE,BLUE.....12
 DECAL,TRIANGLE,YELLOW.....12
 DECAL,USE DEXRON***.....12
 DECAL,WARN,CRUSH HAZARD HAND....11-12
 DECAL,WARN,CRUSH HAZARD PLAT....11-12
 DECAL,WARN,FALL HAZARD.....12
 DECAL,WARN,IMPROPER OPERATION...11-12
 DECAL,WARNING,HAND/FOOT CRUSH.....12
 DIAGNOSTIC FEMALE Q-DSCNT.....21, 35, 49, 51, 65-66, 120
 Diagnostic fitting.....21
 Diagnostic nipple.....49, 51, 119-120
 DIAPHRAGM,AIR VALVE MIXER.....79-80
 Differential Sensing.....119-120
 Differential sensing valve.....119-120
 DIN RAIL,23.75".....134
 DIODE BLOCK SUPPRESSION.....133-134
 DIODE,6 AMP,200 PIV,BULK.....215-216
 DIPSTICK (53883).....99
 DIPSTICK, OIL LEVEL,LRG425 EFI.....75-76, 79-80
 DIPSTICK-F3L1011F (DEUTZ).....93-94
 Directional control valve.....49, 51
 Directional valve.....119-120
 DO3 valve.....119-120
 DOOR LATCH,BASE CONTROL BOX.....137
 DRAIN PLUG.....127-128
 DRIV CHAS COVER ASSY N/S END...25-26, 29, 55-56, 59
 Drive Manifold, 4WD,.....51
 DRIVE MOTOR REAR,2WD/7 DEGREE*...25-26, 29
 DRVE MOTOR REAR,4WD/1DEGREE.....56, 59
- E**
- EDC ASSY,SAUER,M46***.....83-84, 91, 97
 ELBOW,130239-2-2.....107
 ELBOW,45D,140339-16.....143-144, 149-150
 ELBOW,45D,520320-10-8.....219
 ELBOW,45D,520320-4.....179, 181, 183, 185
 ELBOW,45D,520320-6.....143-144, 149-150
 ELBOW,45D,520320-6-4.....143-144, 149-150
 ELBOW,45D,520320-8.....179, 181, 183, 185, 219
 ELBOW,90 DEGR,RUBBER,2.5" I.D.*.....93-94, 99, 231
 ELBOW,90D, 070202-4.....123-124, 127-128
 ELBOW,90D,520202-12-16.....143-144, 149-150, 219
 ELBOW,90D,520220-10.....144, 150
 ELBOW,90D,520220-12-16.....35, 65-66, 143-144, 149-150
 ELBOW,90D,520220-4-4.....35, 65-66, 144, 185
 ELBOW,90D,520220-4-6***...39, 71, 143-144, 149-150, 179, 183, 185
 ELBOW,90D,520220-6.....35, 39, 65-66, 71, 143-144, 149-150
 ELBOW,90D,520220-8-12.....35, 65-66, 143-144, 149-150
 ELBOW,90D,520220-8-6.....143-144, 149-150
 ELBOW,90DEG,FEM,1"NPT.....143-144, 149-150, 219
 ELBOW,90DEG.1/8MPT-5/16 BARB.....107
 ELBOW,90DEG.3/8MPT-5/8 BARB.....84
 ELBOW,SWIVEL 90D, 520221-6.....144, 150, 179, 181, 183, 185
 END CAP,AIR FILTER-27915&49740.....84, 93-94
 END COVER GASKET,CBLE TRCK CVR...229
 END HEAD, 32810 POWER UNIT.....115-116
 END PLATE,WAGO.....195, 197
 END SET,STEEL43482,43483,43484.....163-164
 ENGINE,FORD LRG 425,EFIZ45.....75-76
 EXHAUST HOOD WELDMENT.....227
 EXHAUST,TAIPIPE,DEUTZ.....91
 EXT.CYL.MOUNTING PIN WLDMT.....157
 EXTENDING ROD.....161
 EXTENSION CYL ASSY,S80/85.....157, 161
 EXTRU.,CABLE TRK.SUPPT,288"DR.....163-164
 EXTRUSION,RUBBER BUMPER STRIP..107, 109, 111, 113
- F**
- FAN SHROUD, PAINTED.....103
 FAN, LSG423/LRG425.....75-76, 79-80
 FAN, PERKINS (53883).....101
 FAN,OIL COOLER***.....141
 FEMALE BULKHEAD CONNECTOR-8.....213
 FILTER ASSEMBLY WIND L,PAPER.....107, 109, 111, 113
 FILTER ASY,M PRESS,SAE8,WOIND*.....83-84, 94, 99
 FILTER ELEMENT-10 MIC.***.....83-84, 94, 99
 FILTER MOUNT BRACKET.....83-84, 94
 FILTER, FUEL LRG 425/423 EFI.....109
 FILTER, OIL, FORD.....75-76, 79-80
 FILTER,AIR***.....93-94, 99
 FILTER,AIR,ELEMENT***.....84, 93-94
 FILTER,ELEMENT,BETA(5)=1000.....83-84
 FILTER,ELEMENT,BETA(6)=200.....107, 109, 111, 113
 FILTER,FUEL,LRG-423,SCREW-IN.....107
 FILTER,FUEL,PERKINS.....99
 FILTER,FUEL/WATER SEPARATOR***.....99
 FILTER,FUEL/WTR SEP, DTZ 1008.....93-94
 FILTER,OIL,DEUTZ F4L1011F.....93-94
 FILTER,OIL,DEUTZ,REPLACEMENT.....93-94
 FILTER,OIL,FORD.....75-76, 79-80
 FILTER,OIL,PERKINS 704-30 (BB).....99
 FITTING,070302-4.....123-124, 127-128
 FITTING,1/4 MPT 5/16 BARB.....109, 111, 113
 FITTING,CONN,520120-12.....35, 65-66, 143-144, 149-150, 219
 FITTING,CONN,520120-6.....39, 71, 143-144, 149-150, 179, 181, 183, 185, 219
 FITTING,CONN,520120-6-8***.....219
 FITTING,ELBOW,45D,520320-12***.....35, 65-66, 144, 150
 FITTING,ELBOW,90D,520220-12.....143-144, 149-150
 FITTING,ELBOW,90D,520220-6-4.....143-144, 149-150
 FITTING,ELBOW,90D,520220-6-8**.....144, 150
 FITTING,M18X8,F87OMX.....91
 FITTING,TEE,RUN,SWIVEL520432-8.....35, 39, 65-66, 71, 144, 150, 179, 181, 183, 185
 FITTING,TEE,RUN,SWIVEL52043212.....35, 65-66, 143-144, 149-150, 219
 FITTINGS, LIFT PUMP INLET PORT.....99
 FLANGE-JOYSTICK MOUNTING,44988.....207
 FLAP,SWING CHASSIS COVER.....227
 FLASHTUBE,STRAIGHT,360DEG,BULB....209
 FLASHTUBE,U SHAPED,360DEG,BULB...209
 FLATBAR,CHASSIS SPACER BLUE.....225
 FLOORING, 6'FT PLATFORM.....193
 FLOORING, 8'FT PLATFORM.....193
 Flow Control.....51
 Flow divider valve.....49, 51
 Flow Divider/Combiner.....21
 Flow divider/combiner.....49, 51
 Flow regulator.....119-120
 Flow Regulator Valve.....23
 Flow regulator, 0.6 gpm.....119-120
 FLYWHEEL COVER,CASTING***.....91
 FLYWHEEL FLANGE,GREEN PLASTIC.....83-84, 91, 97
 FOOT SWITCH***.....191
 FORMING,LIMIT SWITCH BRACKET.....155

Part Description Index (continued)

- FORMING,PINION GUARD,PAINTED.....123-124, 127-128
 FUEL FILTER W/SEP,DEUTZ,1008.....93-94
 FUEL INJECTOR, LRG-425 EFI.....75-76, 79-80
 FUEL LINE INJ. DEUTZ F4L1011F.....91
 FUEL PRESSURE REG,425EFI***.....75-76, 79-80
 FUEL PUMP KIT,FORD LRG 423***.....107
 FUEL PUMP RELOCATION KIT.....75-76, 79-80
 FUEL TANK,H/D PLASTIC W/DECAL*.....109, 113
 FUSE,13 AMP,220V PLUG.....137
- G**
- GAS STRUT,250 LBS FORCE***.....137, 139
 GASKET - THROTTLE BODY, 425EFI.....75-76
 GASKET, FORD OIL DRAIN.....83-84
 GASKET, THERMOSTAT (53883).....101
 GASKET, WATER PUMP.....76, 79-80
 GASKET,0.0005,SILVER (32810).....115-116
 GASKET,0.00075,GOLD (32810).....115-116
 GASKET,0.001,AMBER (32810).....115-116
 GASKET,ADAPTER PLATE,425EFI***.....75-76, 79-80
 GASKET,BRAKE ASSY.....123-124, 128
 GASKET,EXHAUST.....83-84, 91
 GASKET,GBOX,S80/85 2008.....133-134
 GASKET,LP ADAPTER.....75-76
 GASKET,MUFFLER PERKINS(53883).....97
 GASKET,PUMP TO DC MTR.(32810).....115-116
 GASKET,THERM.HSNG O-RING.....76, 80
 GASKET,TIMMING CASE COVER.....101
 GASKET,TURTLE,DRV MTR,EDC.....56, 59
 GASKET,UPPER CONTROL BOX.....195, 197
 GASKET-VENTURI BEAM (FORD).....75-76
 GATE LATCH CASTING--DRILLED.....211
 GAUGE,FUEL,SIDE MOUNT.....107, 111
 GAUGE,OIL PRESSURE W/O SENDER.....131
 GAUGE,OIL TEMP.....131
 GAUGE,VOLTAGE.....131
 GAUGE,WATER TEMP.....131
 GAUGE-SIGHT,LHA-LGTB***.....107, 109, 111, 113
 GEAR CASTING,20424 CONTROLLER*.....203
 GEAR, SLAVE, 24493.....207
 GEAR, SLAVE, MS4,45048.....205
 GEN,HYD,3000W,110V,60HZ.....215-216
 GENERATOR,2000W,HYDRAULIC***.....215-216
 GENERATOR,2500W HYD.220/50HZ.....215-216
 GLOW PLUG,L1011.....221
 GROMMET,RUBBER .25 X .50"OD.....235
 GROMMET,RUBBER,1.0X0.094X1.375.....193
 GUARD,FOOTSWITCH,W/DECAL ALUM...193
 G U A R D , F O O T S W I T C H , W / D E C A L STEEL.....191
 GUARD,PLATFORM CNTRL PANEL PTD.....211
 GUIDE RING W/RUBBER LIP.....89
- H**
- HANDLE HALF,JOYSTICK (20424).....203
 HANDLE KIT,SPOOL.....26, 29, 56, 59
 HANDLE,CAP,CONTROLLER.....205, 207
 HARDLINE, BRAKE PORT.....128
 HARNESS,RPM SOLENOID RELAY***.....93-94
 HEATER,FREEZE PLUG,FORD LRG423...221
 HINGE CASTING.....211
 HINGE,.375X.120THK.,SLOTTED.....137, 139
 HINGE,PLAT CONTROL BOX COVER.....211
 HORN,12VDC,SPADE TERMINALS***.....137
 Hose Assembly - Components: @ 53.1 inches (134.9 cm).....219
 HOSE ASSEMBLY, 1/2".....219
 HOSE ASSEMBLY, 1/4".....181, 185
 HOSE ASSEMBLY,1".....143-144, 149-150
 HOSE ASSEMBLY,1/2".....35, 39, 65-66, 71, 143-144, 149-150, 213
 HOSE ASSEMBLY,1/4".....35, 39, 65-66, 71, 123-124, 127-128, 143-144, 149-150, 179, 181, 183, 185
 HOSE ASSEMBLY,3/4".....35, 65-66, 143-144, 149-150
 HOSE ASSEMBLY,3/8".....143-144, 149-150
 HOSE ASSEMBLY,3/8".....35, 39, 65-66, 71, 143-144, 149-150
 HOSE ASSEMBLY,5/8".....143-144, 149-150, 219
 HOSE ASSEMBLY,LP GAS-86" LNG*.....107, 109
 HOSE ASSEMBLY,1/2,90FEM,STR FEM.....219
 HOSE ASSY 3/8".....91
 HOSE ASSY,1/2,45 FEM,STR FEM.....35, 65-66
 HOSE ASSY,1/2,90 FEM,STR FEM.....35, 39, 65-66, 71, 143-144, 149-150, 179, 181, 183, 185, 219
 HOSE ASSY,1/2,STR FEM,STR FEM.....35, 65-66
 HOSE ASSY,1/4,45 FEM STR FEM.....185
 HOSE ASSY,1/4,45 FEM,STR FEM.....183, 185
 HOSE ASSY,1/4,90 FEM,STR FEM.....39, 71, 144, 150, 179, 181, 183, 185, 219
 HOSE ASSY,1/4,90 FEM,STR FEM**.....39, 71
 HOSE ASSY,1/4,STR FEM,STR FEM.....39, 71, 179, 183, 185
 HOSE ASSY,3/4,90 FEM,STR FEM.....35, 65-66, 143-144, 149-150
 HOSE ASSY,3/4,STR FEM,STR FEM.....35, 65-66, 143-144, 149-150
 HOSE ASSY,3/8 90 DEG.....143-144, 149-150
 HOSE ASSY,3/8,45 FEM,STR FEM.....144, 150
 HOSE ASSY,3/8,90 FEM,STR FEM.....144, 150
 HOSE ASSY,FORD OIL DRAIN 1/2".....83-84
 HOSE END,90DEG.,63 HS X.25 MPT.....84
 HOSE END,MALE,.313 X .25 MPT.....107
 HOSE END,MALE.25 X .25 MPT.....111, 113
 HOSE GUIDE, JIB.....187
 HOSE, UPPER RADIATOR.....76, 79-80, 87
 HOSE, WATER PUMP (53383).....101
 HOSE,1/4 FUEL LINE,SAE 30R7.....111, 113
 HOSE,3/4,LP.....84
 HOSE,5/16 FUEL,SAE 30R7.....107, 109, 111, 113
 HOSE,AIR INT.2.5 IDX12" W/450.....84
 HOSE,AIR INTAKE 2.25" I.D.....93-94
 HOSE,AIR INTAKE 2.5 ID X 6.5.....75-76
 HOSE,AIR INTAKE 2.5" I.D.....93-94, 99
 HOSE,AIR INTAKE 2.75" I.D.***.....93-94
 HOSE,AIR INTAKE,2.25"IDX5.75".....79-80
 HOSE,AIR INTAKE,2.625"IDX2.50".....79-80
 HOSE,FIRE RES.,5/8 ID,BULK.....75-76, 84
 HOSE,LOWER RADIATOR,Z45.....87
 HOSE,VAPOR,LP SPECIFIC.....79-80
 HOSE,WATER INLET,LRG425 EFI.....76, 79-80, 84
 HOUR METER,10-80 VOLTS***.....131
 HOUSING,THERMOSTAT (53883).....101
 HOUSING,WORKLIGHT***.....211
 HUB ASSY W/RACES.....19
 HUB RACE, OUTER.....19
 HUB RACE,INNER.....19
 HYD.SWIV.,9PORT S60,Z60.....123-124, 127-128
 HYDRAULIC MOTOR 3000W GENER.....215-216
- I**
- INJECTOR - DEUTZ F4L1011F.....91
 INJECTOR PUMP - DEUTZ F4L1011F.....91
 INNER REAR AXLE WELDMENT, L.H.....25-26, 29, 31, 61
 INNER REAR AXLE WELDMENT, R.H.....25-26, 29, 31, 61
 ISOLATOR,AIR FILTER MOUNT.....84, 87, 99
 ISOLATOR,VIBRATION,LG,RD&WH***.....87, 89, 103
- J**
- JIB BOOM ASSY W/WORD DECAL.....187
 JOINT COVER,CABLE TRACK.....229
 JOYSTICK CONTROLLER,12V.....199-200, 203
 JOYSTICK, DRIVE GEAR, (24493).....207
 JOYSTICK,DUAL AXIS CONTROLL.**.....199-200, 207
 JOYSTICK,SINGLE AXIS PROPORT.....199-200, 205
- K**
- KEY,LATCH, 1 PAIR (28125).....137, 139
 KEYSWITCH,3POS.MNTND.DR WKEY**...131
 KEYSWITCH,CONTACTS LOCK.....131
 KIT, AUX TOP RAIL SUPPORT.....211
 KIT, FOOTSWITCH, S40/S60/S80.....193
 KIT, JOYSTICK HANDLE.....203
 KIT, BEARING, TAPERED, INNER***.....25-26, 29, 47, 55-56, 59
 KIT, BEARING, TAPERED, OUTER***.....25-26, 29, 47, 55-56, 59
 KIT, BRAKE SPRING.....128
 KIT, BRAKE SPRING***.....127-128
 KIT, CONTROL BOX COVER.....211
 KIT, ESTOP SVC BB&SM BOOM.....131, 199-200
 KIT, FIELD INSTALL, SWING GATE.....211
 KIT, FORD EFI UPDATE, BASE***.....75-76, 83-84
 KIT, FRICTION DISC.....128
 KIT, FRICTION DISC***.....127-128
 KIT, GASKET, UK POWER TO PLAT.....195, 197
 KIT, HORN SVC BB&SM BOOM.....199-200
 KIT, INSTALLATON LS2A.....155
 KIT, KEYSWITCH SVC BB & SM BOOM.....131
 KIT, KEYSWITCH SVC BB&SM CE.....131
 KIT, NOLFF LPG.....79-80
 KIT, OP SWITCH, DEUTZ.....94
 KIT, PLAT CONTROL PANEL GUARD**.....211

KIT,STEEL CABLE TRACK,S80.....163-164
 KIT,SWING BRAKE REBUILD.....128
 KIT,SWING BRAKE REBUILD***.....127-128
 KIT,SWING GATE W/SPRING.....211

L

LATCH,SLIDE, FLUSH MOUNT STYLE.....137
 LATCH,T-HANDLE,5 SIDED W/KEYS*.....137,
 139
 LENS,AMBER,STROBE,FIREBOLT.....209
 LEVEL,BUBBLE,2 DEGREE *.....29, 59
 LEVER ALTERNATOR, (53883).....101
 LIGHT,LED IND. RED 12V NH...131, 199-200,
 235
 LIMITER PC BOARD, HORSEPOWER.....195,
 197
 LINING KIT,AUSCO (73918)***.....124
 LINING KIT,AUSCO BRAKE***.....25-26, 29,
 55-56, 59
 LINING KIT,MICO BRAKE.....124
 LINING KIT,MICO BRAKE (41916).....25-26,
 55-56
 LINK,AXLE SWITCH PAINTED.....33, 63
 LOAD CELL BENDING TYPE.....235
 LOCK RING.....203
 LOCKNUT,ELEC,1/2".....133-134, 195, 197
 LOCKNUT,ELECTRIC,1" NPT.....133-134
 LOCKNUT,ELECTRIC,3/4".....133-134, 195,
 197
 LP,TANK BRACKET TALL W/LDMNT.....107,
 109, 215-216
 LUG,FRONT AXLE STEERING,PAINT.....15,
 43

M

MALE PIPE THD,1/4" SER,3/8"X18.....213
 MANIFOLD,3 FUNCT W/BYPASS S80.....115-
 116, 119-120
 MANIFOLD,3 FUNCTION W/BYPASS.....115-
 116, 119-120
 MANIFOLD,AXLE EXTEND DUMP.....23, 53,
 115-116
 MANIFOLD,BRAKE/2 SPD.....83-84, 105
 MANIFOLD,BRAKE/MOTOR SHIFT.....83-84,
 89, 105
 MANIFOLD,CHASSIS JACK.....23, 25-26, 29,
 53, 55-56, 59
 MANIFOLD,GENERATOR.....215-216
 MANIFOLD,JIB SELECT***.....173-174, 177
 MANIFOLD,ROTATOR,CB***.....167-168, 171,
 173-174, 177
 MANIFOLD,STEER,S60,80,OSC.....115-116
 MANIFOLD,STEER,S60,S80,OSC.....115-116
 MANIFOLD,SWING CB & BRAKE.....124, 128
 MANIFOLD,TRCN W/BYPASS,4WD***.....49,
 55-56, 59
 MANUAL BOX W/DECALS***.....191
 MAP SENSOR, EFI.....75-76, 79-80
 MICROSWITCH,13482 FOOTSWITCH.....191
 MICROSWITCH,V3L-139-D8.....203, 205, 207
 MIDRAIL GUIDE (HOOK).....191
 MODULE,IGNITION/START,12/24V.....133-134
 MODULE,LOAD SENSE,W/12V RELAY.....235
 MOTOR -HYD.2500W GENER
 REFURB.....215-216
 MOTOR,12V DC,APU (53236).....115-116
 MOTOR,12VDC,77066.....115-116

MOTOR,HYDRAULIC GENERATOR.....215-
 216
 MOTOR,TURNTABLE ROT.(34114)***.....124
 MOTOR,TURNTABLE ROTATE**.....124, 128
 MOTOR,WHEEL,25CC FIXED***.....47
 MOUNT, BULKHEAD FITTING.....43
 MOUNT, CHASSIS JACK MANIFOLD.....25-
 26, 29, 55-56, 59
 MOUNT,RAD.SUPPT,LH,BLUE.....87
 MPT,CPLR,1/4"SER,3/8"X18.....213
 MUFFLER BRACKET, PAINTED.....97
 MUFFLER**.....91
 MUFFLER, PERKINS.....97
 MUFFLER,FORD LRG S40-60-80***.....83-84

N

NIPPLE,DIAGNOSTIC,#4 PORT***.....21, 35,
 49, 51, 65-66, 120
 NUT & BOLT KIT (25883).....203
 NUT - PLASTIC,RING FOR ALARMS.....195,
 197, 209
 NUT - WING, AIR FILTER, 425EFI.....84, 93-
 94
 NUT, CP521-1 VALVE.....215-216
 NUT,EXHAUST MANIFOLD-FORD,LRG.....83-
 84
 NUT,HEX,1/4-28.....93-94, 99
 NUT,HEX,5/16-18,GR5.....91, 97
 NUT,HEX,JAM,1.25-7.....15, 43
 NUT,HEX,JAM,1/2-13.....123-124, 127-128,
 161
 NUT,HEX,JAM,5/8-11.....33, 63
 NUT,HEX,M4 X 0.7 MM (20424)***.....203
 NUT,LOCKING-LG.FLANGE,5/16-18.....84, 99
 NUT,LOCKING-LRG.FLANGE,3/8-16.....87
 NUT,LP NYLOCK,1/2-13.....17, 45, 161
 NUT,LP NYLOCK,1/4-20.....25-26, 29, 55-56,
 59, 75-76, 89, 93-94, 103, 105, 109, 115-116,
 161, 163-164, 199-200, 211, 227, 229
 NUT,LP NYLOCK,3/8-16...103, 161, 163-164,
 191, 193, 215-216
 NUT,LP NYLOCK,5/16-18.....93-94, 137, 139
 NUT,LUG,3/4-16 X 7/8 RADIUS.....19, 25-26,
 29, 47, 55-56, 59
 NUT,MUFFLER PERKINS 10MM.....97
 NUT,NYLOCK,1-8.....167-168, 171, 189
 NUT,NYLOCK,1/2-13.....15, 43, 87, 123-124,
 127-128
 NUT,NYLOCK,1/4-20.....26, 29, 56, 59, 75-76,
 79-80, 83-84, 91, 103, 105, 115-116, 133-
 134, 137, 139, 163-164, 168, 173-174, 177,
 187, 191, 211, 225, 227
 NUT,NYLOCK,10-24.....99
 NUT,NYLOCK,10-32.....75-76, 79-80, 123-
 124, 127-128, 133-134, 137, 139, 191, 197,
 209
 NUT,NYLOCK,3/8-16...17, 31, 45, 61, 87, 107,
 109, 111, 113, 115-116, 123-124, 127-128,
 155, 167-168, 171, 173-174, 177, 187, 191,
 193, 231
 NUT,NYLOCK,5/16-18.....25-26, 29, 55-56,
 59, 84, 99, 115-116, 137, 139
 NUT,NYLOCK,5/8-11.....87, 89, 103, 115-116,
 123-124, 127-128
 NUT,NYLOCK,6-32.....195, 197, 235
 NUT,SOLENOID VALVE.....116, 120, 174, 177
 NUT,SOLENOID,2POS 3WAY.....23, 53, 83-
 84, 89, 105, 120, 174, 177
 NUT,SPINDLE,2.00-12.....19

NUT,WING,1/4-20.....87, 94, 105
 NUT-D03 COIL.....120
 NUTSERT,1/4-20,STEEL CAD PLTD.....133-
 134

O

O-RING (2-114).....124, 128
 O-RING KIT (ORFS FITTINGS).....21, 23, 35,
 39, 49, 51, 53, 65-66, 71, 119-120, 143-144,
 149-150, 179, 181, 183, 185, 219
 O-RING KIT,FIELD SVC,ALL PROD*.....21, 23,
 49, 51, 53, 119-120
 O-RING***.....83-84, 91, 97
 O-RING, 2.25 I.D.X3/16,90 DURO.....161
 O-RING, D03 COIL.....120
 O-RING, DO1 VALVE.....120, 215-216
 O-RING,MOTOR TO BRAKE***.....25-26, 29,
 55-56, 59, 124, 128
 O-RING,MOTOR TORQUE HUB 34115.....47
 O-RING,MOTOR/BRAKE (88921)***.....128
 O-RING,MOTOR/BRAKE***.....128
 O-RING,SPACER #115***.....215-216
 O-RING,TORQUE HUB (30989).....25-26, 55-
 56
 OIL COOLER KIT,S60,S80 PARKER.....141
 OIL COOLER(SYNFLEX)S40,60,80.....141
 OIL FILLER CAP FOR LRG ENGINE.....76, 80
 OPT,PRECLEANER,PERKINS,S40.....231
 OPTION,WORKLIGHT,12 VOLT.....211
 Orifice plug.....49
 Orifice Plug, 0.070 inch.....21
 ORIFICE PLUG,.025 (30551).....115-116
 OUTLET,110V GFCI***.....195, 197

P

PAD,AXLE COMPRESSION,3/8"HOLES.....61
 PAD,AXLE COMPRESSION,PAINTED.....17,
 31, 45
 PAD,BOOM REST.....141
 PAD,CABLE CLAMP.....163-164
 PAINT,AEROSOL,BRIGHT BLUE***.....11-12
 PAINT,AEROSOL,GENIE GRAY***.....11-12
 PAINT,WET,GENIE BLUE (1 GL)**.....11-12
 PAINT,WET,GENIE GRAY (1 GL)**.....11-12
 PCB,ASSY,24495.....205
 PCB,ASSY,BOOM ROTATE,40613*.....207
 PCB,ASSY,BOOM UP/DOWN,40613***.....207
 PIN ASSEMBLY,TURNTABLE ROTAT.....123-
 124
 PIN ASSY, RETAINER, SS I & II.....123-124,
 127-128
 PIN RETAINER,PRI.CYL.BLUE.....155
 PIN,1.00DIA X2.88LG,1HOLE.....31, 61
 PIN,1.00DIA X6.71LG,2RING.....17, 45
 PIN,1.25DIA X10.18LG,1HOLE.....15, 43
 PIN,1.25DIA X14.45LG,2HOLE.....173-174, 177
 PIN,1.25DIA X3.37LG,1HOLE.....15, 43, 155
 PIN,1.25DIA X4.19LG,THREADED.....15, 43
 PIN,1.25DIA X5.25LG,1HOLE.....167-168, 171,
 173-174, 177
 PIN,1.25DIA X6.62LG,1HOLE.....155
 PIN,1.25DIA X7.00LG,1HOLE.....173-174, 177
 PIN,1.25DIA X7.88LG,1HOLE.....173-174, 177
 PIN,1.25DIA X8.30LG,2RING.....157, 167-168,
 171, 173-174, 177
 PIN,1.25DIA X9.50LG,1HOLE.....167-168, 171,
 173-174, 177
 PIN,1.50 DIA X 4.76 LG.GES1360.....43

Part Description Index (continued)

- PIN,1.50DIAX14.41LG,2RING.....157
 PIN,1.50DIAX4.76LG,2HOLE.....15
 PIN,2.50DIAX13.75LG,1HOLE.....155
 PIN,2.50DIAX21.12LG,1HOLE.....31, 61
 PIN,2.50DIAX29.13LG,1HOLE.....155
 PIN,CLEVIS,.375 X 1.75 LG.....33, 63
 PIN,CLEVIS,.50 X 2.00 LG.....163-164
 PIN,COTTER,.125 X .75.....33, 63
 PIN,COTTER,.125 X 1.5.....163-164
 PIN,COTTER,.375 X 3.5.....19
 PIN,KING,TOP,5.88 X 1.5 INCHES.....43
 PIN,LOCK,SHORT***.....211
 PIN,PRI.CYL./SWING CHASSIS.....155
 PIN,PRIM.Boom,16.0 X 1.5 INCH.....17, 45
 PIN,ROLL,SST,.25 X 2.25.....15, 43
 PIN,ROTATION STOP.....123-124, 127-128
 PINCH GUARD RAIL,6' PLATFORM.....211
 PINCH GUARD RAIL,8' PLATFORM**.....211
 PINCH GUARD,6'(1.31")SERVICE**.....211
 PINION GEAR(SET).....123-124
 PLASTIC END STOP.....133-134
 PLAT ASSY,8 FT,SERV,S40/60/80.....191, 193
 PLAT CNTL BOX,W/DECAL,S60/80.....195, 197, 199-200
 PLAT.ASSY,6FT-S40/S60-95' & S80.....191, 193
 PLAT.ASSY,EURO,6 FT,S40/60/80.....191, 193
 PLAT.ASSY,EURO,8 FT,S40/60.....191, 193
 PLAT.PINCH GUARD,8',1.3.....211
 PLATE, PUMP MOUNT, PAINTED***.....97
 PLATE, SWING COVER S60/S80.....141
 PLATE,BACKLASH ADJUSTMENT.....123-124
 PLATE,CABLE TRACK,PAINTED.....163-164
 PLATE,ENGINE MOUNT,PAINTED.....87
 PLATE,FRONT CHASSIS GUARD,BLUE.....225
 PLATE,GENERATOR MOUNTING.....216
 PLATE,LATCH,BLUE,PAINTED.....137, 139
 PLATE,PIN RETAINER.....123-124, 127-128
 PLATE,PUMP MOUNT,FORD,PAINTED.....83-84
 PLATE,UK POWER TO PLATFORM.....195, 197
 PLATFORM SUPPORT WELDMENT***.....167-168, 191
P L A T F O R M S U P P O R T
 WELDMNT-SERV*.....167-168, 171, 191, 193
 PLUG AND CAP KIT-SERVICE,37ø**.....21, 23, 49, 51, 53, 119-120
 PLUG AND CAP KIT-SERVICE,ORFS*.....21, 23, 35, 39, 49, 51, 53, 65-66, 71, 119-120, 143-144, 149-150, 179, 181, 183, 185, 219
 PLUG, SANTOPRENE .5 BLACK DOME.....131, 195, 199-200, 235
 PLUG,070109-8.....83-84
 PLUG,ELECTRICAL,220/50,NOVON.....137
 PLUG,ELECTRICAL,DOMESTIC.....137
 PLUG,ENGINE COVER.....139
 PLUG,FUSED,250V,13AMP,U.K.**.....137
 PLUG,NYLON .875 BLACK DOMED.....133-134
 PLUG,NYLON 1.12 BLACK DOMED.....133-134
 PLUG,NYLON 1.187 BLACK DOMED.....211
 PLUG,ORIFICE,0.052 INCH.....49
 PLUG,ORIFICE,0.070.....21, 49
 PLUG,PIPE,HEX HEAD,STL,1/4NPT.....107
 PLUG,PWR,UK,16AMP,3PIN,BLK.....137
 PLUG,SQUARE HEAD,3/4 MPT.....107, 109, 111, 113
 PLUG,STEEL SOCKET,SAE090109B-6.....91, 99
 PLUNGER,CONNECTING ROD.....33, 63
 POTENTIOMETER (20424).....203
 POTENTIOMETER (24493).....205
 POTENTIOMETER (40613).....207
 POWER UNIT,AUX PUMP 12VDC.....115-116
 PRECLEANER,AIR INTAKE***.....231
 PRIORITY FLOW CONTROL VALVE.....216
 Proportional solenoid valve.....119-120
 PULLEY, WATER PUMP.....101
 PULLEY,CRANKSHAFT (53883).....101
 PULLEY,FORD ENGINE,LRG-423***.....75-76, 79-80
 PUMP ASSY,AUX.POWER UNIT 89617...115-116
 PUMP, AUX. POWER UNIT.....115-116
 PUMP, FUEL LIFT, F4L1011F.....93-94
 PUMP, FUEL, LRG425, WALBRO.....79-80
 PUMP, LIFT INLET PORT (53883).....99
 PUMP, WATER, WITH GASKET.....76, 79-80
 PUMP,LIFT 1.403 C.I.**.....83-84, 91, 97
 PUMP,VAR PISTON,2.8 C.I.**.....83-84, 91, 97
 PUMP,VAR.PISTON M46 2.8 CIQVP*.....83-84, 91, 97
R
 RADIATOR HOSE, LOWER.....103
 RADIATOR HOSE, UPPER.....103
 RADIATOR MOUNT, LH, PAINTED.....103
 RADIATOR MOUNT, RH PAINTED.....103
 RADIATOR,FORD,LRG.....87
 RADIATOR,PERKINS,GM.....103
 RAILING CATCH CASTING--DRILLED.....211
 RECEPTACLE, BRITISH, 110V.....195, 197
 RECTIFIER ASSEMBLY.....215-216
 REGULATOR DIAPH.KIT BEAM 50/60.....84
 REGULATOR DIAPH.KIT NOLFF,MDLJ.....84
 Regulator flow.....53
 REGULATOR,LP,MODEL J NOLFF.....84
 REGULATOR,LPG BEAM 60***.....84
 RELAY - LRG425 EFI.....83-84
 RELAY,SEALED 30/40 AMP.....93-94
 RELAY,SPDT,12V(AUTO) PLUG IN**.....133-134
 RELAY,SPDT,12V(AUTO)**.....197, 199-200
 Relief valve.....23, 119-120
 Relief valve, (24.1 bar) 350 psi.....23
 Relief valve, 200 psi (13.8 bar).....53
 Relief valve, 210 psi.....49, 51
 Relief valve, 210 psi (14.5 bar).....21
 Relief valve, 2900 psi.....119-120
 REPAIR LINK, 4 LINKS PLATED.....163-164
 REPAIR LINK,3 LINKS (STEEL).....163-164
 RESISTOR,10 OHM,25 WATT.....131
 RESISTOR,100 OHM,25 WATT.....199-200
 RESISTOR,14 OHM,25 WATT.....131
 RESISTOR,150 OHM,25 WATT.....199-200
 RETAINER PLATE,PINION GEAR***.....123-124
 RETAINER,GAS SPRING***.....137, 139
 RETAINER-N.C.PROPOR.SOLENOID.....120
 RETAINING RING.....215-216
 RETAINING RING***.....123-124, 127-128
 RING GEAR,DEUTZ F3 & F4L1011.....91
 RING GEAR,DEUTZ F3 & F4L1011F.....91
 RING GEAR,DEUTZ F3L2011F.....91
 RING GEAR,FORD***.....75-76, 83-84
 RIVET,ALUM,ALUM,3/16BUTTONHEAD....211
 RIVET,STEEL,P .25 X .375.....137, 211
 RIVET,STL,STL,P.25 X .5.....229
 ROCKER ASSY,HANDLE (20424)***.....203
 ROD END,.375 X 2.25***.....15, 31, 43, 61, 155
 ROD END,.375 X 3.69.....155, 167-168, 171, 173-174, 177
 ROD END,.50 X 4.....17, 31, 45, 61, 155
 ROD,AXLE SWITCH CONNECT.....33, 63
 ROLLER,POLY,STEEL TRACK(43484).....163-164
 ROLLER,UHMW.....163-164
 ROTATOR ASSEMBLY,8.2K***.....167-168, 173-174
 ROTATOR,PLAT JIB,160 DEG***.....173-174, 177
 ROTATOR,PLAT,NON-JIB.....167-168, 171
S
 S40,60,80SPARE L.P.TANK W/BRKT.....215-216
 S60,80 HOSTILE ENVIRONMT,DEUTZ.....231
 S80 AIR TO PLATFORM,1/2"ID.....213
 S80 DELUXE HOSTILE ENVIRONMENT...223
 S80 STD HOSTILE ENVIRONMENT PK.....223
 SADDLE BRCKT40613,34419,53073*.....207
 SADDLES-SET(24493,40613,53073).....207
 SCR,M 10X40 LG HEX FLG. SERR.....84
 SCREW T-SWITCH PH/PH 6-32X1/4.....199-200
 SCREW,BLEEDER,M5X0.8.....167-168, 171
 SCREW,FHM,10-32 X .75.....191
 SCREW,FHM,10-32 X 1.5.....76
 SCREW,FHS,1/2-13 X 1 (34363).....123-124, 127-128
 SCREW,FHS,3/8-16 X 1.....17, 45
 SCREW,FHS,3/8-16 X 2.25.....141
 SCREW,HEX,M4X0.7X10MM (20424)*.....203
 SCREW,HEX,M4X0.7X30MM (20424)*.....203
 SCREW,HHC,1-8 X 11,GRD 5***.....167-168, 171, 189
 SCREW,HHC,1-8 X 12IN GRD.2***...167-168, 189
 SCREW,HHC,1/2-13 X 1.25 GR5.....25-26, 29, 31, 55-56, 59, 61, 123-124, 127-128, 155, 167-168, 189
 SCREW,HHC,1/2-13 X 1.5.....47
 SCREW,HHC,1/2-13 X 1.75.....83-84, 127-128
 SCREW,HHC,1/2-13 X 2 GR5...17, 25-26, 29, 31, 45, 56, 59, 61, 91, 97, 123-124, 127-128
 SCREW,HHC,1/2-13 X 3.....17, 45, 87
 SCREW,HHC,1/2-13 X 4.5,GRD.8.....124, 128
 SCREW,HHC,1/2-13 X 5 BLACK.....26, 56
 SCREW,HHC,1/2-13 X 5,GRD.8.....15, 43
 SCREW,HHC,1/4-20 X .5.....83-84, 123-124, 159
 SCREW,HHC,1/4-20 X .625.....94, 133-134, 163-164, 199-200, 229
 SCREW,HHC,1/4-20 X .75.....19, 26, 29, 47, 56, 59, 84, 87, 91, 93-94, 99, 103, 105, 109, 123-124, 127-128, 131, 133-134, 137, 139, 157, 161, 163-164, 187, 193, 199-200, 211, 225, 229
 SCREW,HHC,1/4-20 X 1.....17, 45, 83-84, 99, 103, 105, 115-116, 133-134, 137, 139, 163-164, 191, 225, 227
 SCREW,HHC,1/4-20 X 1.25.....25-26, 29, 55-56, 59, 75-76, 79-80, 83-84, 137, 139, 187, 191, 211

SCREW,HHC,1/4-20 X 1.5.....163-164, 171, 177, 211	SCREW,PHILLIPS,PHM,10-32 X .75.....137, 139	SEAL KIT,PLAT ROTATE***.....167-168, 171, 173-174, 177
SCREW,HHC,1/4-20 X 1.75.....163-164	SCREW,PHILLIPS,PHM,10-32 X1.25...75-76, 79-80	SEAL KIT,SAUER-DANFOSS M46***.....83-84, 91, 97
SCREW,HHC,1/4-20 X 2...33, 63, 83-84, 115-116, 139, 163-164, 211	SCREW,PHILLIPS,PHM,6-32 X .5.....235	SEAL KIT,STEER CYL***.....15, 43
SCREW,HHC,1/4-20 X 2.25.....163-164, 167-168, 173-174	SCREW,PHM,10-24X.50,SELF TAP.....87	SEAL KIT,SUNSTRAND.....47
SCREW,HHC,1/4-20 X 2.5.....26, 29, 56, 59, 161	SCREW,RHM,10-32 X .5.....197	SEAL KIT,SWING BRAKE.....128
SCREW,HHC,1/4-20 X 3.5...89, 105, 163-164	SCREW,RHM,10-32 X 1.....209	SEAL KIT,SWING BRAKE***.....127-128
SCREW,HHC,3/4-10 X 2.00,GR5.....123-124, 155	SCREW,RHM,10-32 X 1.25.....155, 163-164	SEAL KIT,SWIVEL (48541).....123-124, 127-128
SCREW,HHC,3/4-10 X 4.5.....123-124, 127-128	SCREW,RHM,10-32 X 1.5...123-124, 127-128	SEAL KIT,TORQUE HUB (32953).....123-124
SCREW,HHC,3/8-16 X .75.....25-26, 29, 33, 55-56, 59, 63, 141, 157, 163-164, 187, 233, 235	SCREW,RHM,6-32 X .5.....195, 197	SEAL KIT,TORQUE HUB (30989).....25-26, 55-56
SCREW,HHC,3/8-16 X .88,GRD 8.....189	SCREW,SHC,1/2-13 X 3.00.....25-26, 55-56	SEAL KIT,TORQUE HUB (34115)***.....25-26, 29, 47, 55-56, 59
SCREW,HHC,3/8-16 X 1.....15, 31, 43, 61, 83-84, 87, 89, 91, 97, 103, 107, 109, 115-116, 141, 155, 157, 159, 161, 167-168, 171, 189, 215-216, 231	SCREW,SHC,10-24 X 2.....120	SEAL KIT,TORQUE HUB,26:1(30989).....25-26, 55-56
SCREW,HHC,3/8-16 X 1.25 GRD 5.....31, 61, 83-84, 115-116, 137, 139, 157, 159, 191, 193, 215-216, 227	SCREW,SHC,3/8-16 X 1.....83-84	SEAL KIT,UNIVERSAL,9K ROTATOR*.....167-168, 173-174
SCREW,HHC,3/8-16 X 1.50,GR5.....17, 31, 45, 61, 87, 167-168, 171, 173-174, 177, 227	SCREW,SHC,5/16-18 X 2,PLATED.....128	SEAL, CAP.....123-124, 127-128
SCREW,HHC,3/8-16 X 1.75,GRD.8.....17, 45, 123-124, 127-128, 161, 163-164	SCREW,SHC,5/8-11 X 1.75.....17, 45	SEAL, CROWN, 2 PART.....123-124, 127-128
SCREW,HHC,3/8-16 X 2.....155, 187	SCREW,SHC,5/8-11 X 2.25.....25-26, 47	SEAL, GASKET, .0005" *SILVER*.....215-216
SCREW,HHC,3/8-16 X 2.25.....17, 45, 87, 89, 103, 141	SCREW,SHC,5/8-11 X 3.00,A574.....123-124, 127-128	SEAL, GASKET, .00075" *GOLD*.....215-216
SCREW,HHC,3/8-16 X 2.5.....109, 113	SCREW,SHC,5/8-11 X 3.50,A574.....123-124, 127-128	SEAL, GASKET, .0010".....215-216
SCREW,HHC,3/8-16 X 3.25.....177	SCREW,SHC,5/8-11 X 4,A574.....87, 89, 105	SEAL, O-RING LIP.....123-124, 127-128
SCREW,HHC,3/8-16 X 3.5,GR5.....161	SCREW,SHC,5/8-18 X 2.25.....15, 43	SEAL, O-RING, SQUARE.....123-124, 127-128
SCREW,HHC,3/8-16 X 4.....161, 173-174	SCREW,SHS,10-24 X .625.....99	SEAL, POLY, CHAMFER.....123-124, 127-128
SCREW,HHC,3/8-16 X 4.5.....17, 31, 45, 61	SCREW,SHS,3/8-16 X .5.....33, 63	SEAL,GREASE.....19
SCREW,HHC,3/8-16 X 6.....163-164	SCREW,SHS,5/16-18 X 1.25(3/8).....33, 63	SEAL,LINK KIT***.....83-84, 91, 97
SCREW,HHC,5/16-18 X .75.....137	SCREW,SHS,5/8-11 X 3.....123-124, 127-128	SEAL,RETAINING RING.....215-216
SCREW,HHC,5/16-18 X 1 GR5.....84, 93-94, 99, 103, 137, 139	SCREWDRIVER,TERMINAL BLOCK.....133-134, 195, 197	SEAL,SHAFT.....215-216
SCREW,HHC,5/16-18 X 3.00.....124	SCRUBBER MUFFLER,DEUTZ,F4L1011.....91	SEAL,SHAFT-SUNDSTRAND***.....83-84, 91, 97
SCREW,HHC,5/16-18 X 3.25.....116	SEAL KIT (39345).....171, 177	SENDING UNIT,OIL PRESS.,DEUTZ*.....93-94
SCREW,HHC,5/16-18 X 5.....25-26, 29, 55-56, 59, 115-116	SEAL KIT CYL.(63209).....155	SENDING UNIT,OIL PRESSURE***.....75-76, 79-80, 99
SCREW,HHC,5/8-11 X 1.75 GRD.8.....17, 31, 45, 61, 87, 91, 115-116	SEAL KIT CYL.S80(63217).....17, 45	SENDING UNIT,OIL TEMP.....93-94
SCREW,HHC,5/8-11 X 2.25 GR8.....29, 55-56, 59	SEAL KIT CYL.S80(63218).....31, 61	SENDING UNIT,TMP,FRD,GM,PRK704.....75-76, 79-80, 101
SCREW,HHC,5/8-11 X 4.0 GR8.....87, 89, 103	SEAL KIT CYL.S80(63219).....15, 43	SENDING UNIT-H20TMP LRG425EFI*.....76, 79-80
SCREW,HHC,M10 X 25MM,GR 8.8.....87	SEAL KIT CYL.S80(63220).....17, 31, 45, 61	SENSOR, CRANK POSITION.....75-76, 79-80
SCREW,HHC,M10 X 30MM,.....91, 94, 97	SEAL KIT PWR WHL MOTOR.....124, 128	SENSOR,AIR TEMP,LRG-425 EFI***.....75-76, 79-80
SCREW,HHC,M12 X 30.....101	SEAL KIT S60/S80 (35654/35620)*.....161	SENSOR,CAM,EFI***.....75-76, 79-80
SCREW,HHC,M14 X 30.....103	SEAL KIT***.....83-84, 91, 97	SENSOR,COOLANT TEMP*.....76
SCREW,HHC,M14 X 55.....89	SEAL KIT, AUSCO (73918).....124	SENSOR,LEVEL 4.5***.....115-116
SCREW,HHC,M6 X 20MM,GR8.8.....93-94	SEAL KIT, APU.....115-116	SENSOR,O2,LRG 425 EFI***.....83-84
SCREW,HHC,M8 X 20MM.....75-76, 79-80, 93-94, 97	SEAL KIT, AUSCO BRAKE***...25-26, 29, 55-56, 59	SEPARATOR/FILTER,FUEL-D,30MIC.....99
SCREW,HHC,M8 X 30MM,GRD 8.8.....75-76, 79-80	SEAL KIT, SUNSTRAND.....56, 59	SERIAL # LABEL,MYLAR 4X8***.....11-12
SCREW,HHC,M8 X 40.....75-76	SEAL KIT,2.5" BORE,1.5" ROD***.....15, 43	SERVICE KIT, 5FT JIB.....173-174, 177
SCREW,HHC,M8 X 50.....101	SEAL KIT,3POS,4WAY VALVE-34134.....26, 29, 56, 59	SERVICE KIT, 5FT JIB, ARCTIC.....187
SCREW,HHC,M8 X 60MM X 1.25...75-76, 79-80	SEAL KIT,8K ROTATOR***.....167-168, 171, 173-174, 177	SERVICE KIT,5FT JIB.....187
SCREW,PHIL,10-24 X .75.....193	SEAL KIT,ARCTIC,ROTATOR 8.2K**.....167-168	SHAFT ADAPTER, HELAC ROTATOR.....167-168, 171
SCREW,PHIL,8-32X.50,SELF TAP.....163-164	SEAL KIT,BRAKE***.....128	SHAFT ASSY W/HOUSING.....207
SCREW,PHIL,PHM,10-24X1.5 ZINC.....29, 59	SEAL KIT,BRAKE,MICO.....25-26, 55-56	SHAFT SEAL, APU.....115-116
SCREW,PHIL,PHM,10-32 X .5,SSTL.....133-134	SEAL KIT,CYL (63210).....167-168, 171, 173-174, 177	SHAFT W/GEAR.....205
	SEAL KIT,CYL,S65 (63213).....173-174, 177	SHAFT,M46 15 TOOTH.....83-84, 91, 97
	SEAL KIT,CYL,S80 (63200)***.....161	SHAFT,MOTOR.....215-216
	SEAL KIT,CYL,S80 (63204).....155	SHAFT,OUTPUT.....127-128
	SEAL KIT,DRIVE MOTOR (32952).....124	SHAFT,W/NF STYL BLOCK,(20424)*.....203
	SEAL KIT,DRIVE MOTOR,(24668).....25-26, 29	SHIM,AXLE ROTATION STOP,12GA.....31, 61
	SEAL KIT,EXT CYL (63200)***.....161	SHIM,AXLE ROTATION STOP,22GA.....31, 61
	SEAL KIT,FAIRFIELD (S1A2)***.....127-128	SHIM,PAD,5 X 3.....31, 159
	SEAL KIT,HYDRAULIC CYLINDER***.....15, 43	SHIM,SIDE PAD 16GA,.44 SLOT....17, 31, 45, 61
	SEAL KIT,MICO.....124	SHIM,SIDE PAD 16GA,.56 SLOT.....17, 45
		SHIM,SIDE PAD 16GA. 3 X 5.....157, 159

VALVE,COUNTERBALANCE***.....167-168, 171, 173-174, 177	WASHER,FLAT,1.063 X 2 X .134.....167-168, 189	WEAR PAD,5 X 1.5 X .50 W/NUTS.....159
VALVE,COUNTERBALANCE,3500 PSI.....120	WASHER,FLAT,1.56 X 2.5 X .061.....157	WEAR PAD,5 X 1.5 X .625 W/NUTS...157, 159
VALVE,DIFFERENTIAL SENSING***.....120	WASHER,FLAT,2.0 X 4.5 X .25.....19	WEAR PAD,5 X 1.5 X .75.....17, 45
VALVE,DIRECT. CONTROL,4WD S60.....49, 51	WASHER,FLAT,2.5 X 4 X .062.....31, 61	WEAR PAD,5 X 1.5 X .75 W/NUTS.....17, 31, 45, 61, 159, 161
VALVE,DIRECTIONAL,2POS.2WAY.....120	WASHER,FLAT,MS,#10,Y.....29, 59, 123-124, 127-128, 137, 139, 209	WEAR PAD,5 X 3 X .625 W/INSERT.....157, 159
VALVE,DIRECTIONAL,2POS.2WAY 90.....33, 63	WASHER,FLAT,SAE,3/8",Y.....177	WEAR PAD,5 X 3 X .75 W/INSERT.....31
VALVE,DRAIN,FORD,BLOCK,RAD.....83-84, 87	WASHER,FLAT,USS,1",Y.....167-168, 171, 189	W E A R P A D , B O T T O M
VALVE,DUAL CB MANIFOLD.....168, 173-174	WASHER,FLAT,USS,1/2",Y.....87, 89, 103, 141, 161	EXT.ROD,BOTTOM.....161
VALVE,FLOW DIVIDER/COMBINER.....21, 49, 51	WASHER,FLAT,USS,1/4"Y.....19, 25-26, 29, 47, 55-56, 59, 75-76, 79-80, 83-84, 87, 89, 91, 93-94, 97, 99, 103, 105, 109, 115-116, 123-124, 131, 133-134, 137, 139, 159, 161, 163-164, 168, 173-174, 177, 187, 191, 193, 199-200, 211, 225, 227, 229	WEAR PAD,BOTTOM EXT.ROD, TOP.....161
VALVE,FLOW REG.,3.5GPM (34543).....115-116	WASHER,FLAT,USS,3/4",Y.....123-124, 127-128	WEAR PAD,BOTTOM,CABLE TRACK.....163-164
VALVE,FLOW REGULATOR .2 GPM.....120	WASHER,FLAT,USS,3/8",Y.....31, 61, 83-84, 87, 91, 94, 97, 109, 113, 115-116, 157, 159, 167-168, 171, 189, 231	WEAR PAD,CABLE TRACK.....163-164
VALVE,FLOW REGULATOR 0.6GPM.....120	WASHER,FLAT,USS,5/16",Y.....31, 61, 84, 87, 89, 91, 93-94, 97, 99, 103, 107, 109, 111, 113, 115-116, 123-124, 127-128, 137, 139, 141, 155, 161, 163-164, 187, 191, 193, 215-216, 227, 233	WEAR PAD,CABLE TRCK OUTER TUBE.....163-164
VALVE,FLOW REGULATOR 5.0 GPM.....120	WASHER,FLAT,USS,5/8",Y.....211	WEAR PAD,EXTENSION CYLINDER.....161
VALVE,FLOW REGULATOR,.1 GPM.....120	WASHER,LOCK,#10 PLTD.....120, 155, 163-164	WEAR PAD,TENSION ROD.....161
VALVE,FLOW REGULATOR,.3 GPM.....23, 53	WASHER,LOCK,.25.....17, 19, 26, 29, 45, 47, 56, 59, 83-84, 87, 91, 94, 105, 115-116, 123-124, 127-128, 131, 133-134, 137, 139, 159, 161, 163-164, 168, 171, 177, 193, 199-200, 211, 225, 229	WEAR PAD, TOP ROD SUPP.BOTTOM.....161
VALVE,FUEL LOCK.....107, 109, 111, 113	WASHER,LOCK,.313.....91, 97, 128	WEAR PAD, TOP ROD SUPPORT, TOP.....161
VALVE,LOCK OFF,BEAM #FL-418.....75-76, 84	WASHER,LOCK,.375.....15, 17, 25-26, 29, 31, 33, 43, 45, 55-56, 59, 61, 63, 83-84, 87, 89, 91, 103, 107, 109, 115-116, 123-124, 127-128, 137, 139, 141, 155, 157, 159, 161, 163-164, 173-174, 177, 187, 215-216, 227, 233	WEAR PAD,W/INSERT.....31, 61
VALVE,MANUAL,3 POS-4 WAY,2SPL.....26, 29, 56, 59	WASHER,LOCK,.625 PLTD.....17, 31, 45, 61, 87, 91, 105, 115-116, 211	WEAR RING,ROD.....161
VALVE,PCV-FORD LRG***75-76, 79-80	WASHER,LOCK,.75 PLTD.....123-124, 155	WELDMNT, ENGINE MODULE PLATE.....87, 89, 103, 105
VALVE,PRI. FLOW REG 4.3.....216	WASHER,LOCK,0.5".....17, 25-26, 29, 31, 45, 55-56, 59, 61, 83-84, 91, 97, 127-128, 155, 167-168, 189	WELDMNT,BOOM #2,S80/85.....157, 159
VALVE,PROPORTIONAL SOLENOID***.....120	WASHER,LOCK,M10.....87, 91, 94, 97	WELDMNT,CABLE TRACK GUIDE**.....164
VALVE,PROPORTIONAL, 12V **.....120	WASHER,LOCK,M12.....101	W E L D M E N T , C O M P R E S S I O N
VALVE,RELIEF.....120	WASHER,LOCK,M14.....89, 103	MEMBER.....173-174, 177
VALVE,RELIEF 2900 PSI***.....120	WASHER,LOCK,M6.....93-94	WELDMNT,DEUTZ ENGINE MOUNT.....89
VALVE,RELIEF,1500 PSI***.....215-216	WASHER,LOCK,M8.....75-76, 79-80, 93-94, 101	WELDMNT,ENGINE MOUNT,INBOARD...103
VALVE,RELIEF,200 PSI (48536).....23, 53	WASHER,REDUCING 3/4" TO 1/2".....195, 197	W E L D M E N T , E N G I N E
VALVE,RELIEF,210 PSI.....21, 49, 51	WASHER,SHIM,.5 X .875 X .033.....33, 63	MOUNT,OUTBOARD.....103
VALVE,RELIEF,2500 PSI.....120	WASHER,SHIM,1.01 X 1.63 X.062.....17, 45, 163-164	WELDMNT,EXHAUST SUPPORT.....91
VALVE,RELIEF,350 PSI,CHASS.JAC.....23, 53	WASHER,SHIM,1.27 X 2.13 X .062..157, 167-168, 171, 173-174, 177	WELDMNT,FUNCTION MANIFOLD
VALVE,SEQUENCE,SUN S60/80 EXT.....161	WASHER,STAR,#10,PLTD.....87	MNT.....115-116
VALVE,SHUTTLE.....21, 49, 51	WASHER,THRUST,1.5 X 3.5 X .187.....15, 43	WELDMNT,HYD TANK MODULE.....115-116
VALVE,SHUTTLE***.....128	WASHER,THRUST,TORQUE HUB.....127-128	WELDMNT,OUTER FRONT AXLE.....15, 17, 43, 45
VALVE,SOLENOID.....120	WATER PUMP, PERKINS (53883).....101	WELDMNT,OUTER REAR AXLE.....31, 61
VALVE,SOLENOID (18660).....215-216	WEAR PAD.....161	WELDMNT,PIVOT BRACKET.....33, 63
VALVE,SOLENOID (34545).....23, 53	WEAR PAD,2.25 X 2.50 X .5.....163-164	WELDMNT,PRECLEANER MOUNT.....231
VALVE,SOLENOID (81029).....53	WEAR PAD,3 X 1.5 X.625 W/NUTS.....187	WELDMNT,RADIATOR MOUNT LRG423...87
VALVE,SOLENOID N/C (SHORT)***.....173-174	WEAR PAD,3 X 2 X .5 W/INSERT.....163-164	WELDMNT,RH,ENGINE MOUNT.....87
VALVE,SOLENOID N/O (LONG)***.....173-174	WEAR PAD,4X2X.5 W/INSERT***.....87, 91, 105, 161	WELDMNT,SWITCH HOLDER.....33, 63
VALVE,SOLENOID,10V W/DIODE***.....83-84, 89, 105		WELDMNT,TT COVER SUPPORT,RH.....139
VALVE,SOLENOID,10V W/DOIDE.....116		WELMNT,DEUTZ ENGINE MOUNT.....89
VALVE,SOLENOID,10V,2POS 3WAY**.....177		WHEEL DRIVE,HW3 87:1***.....25-26, 29, 55-56, 59
VALVE-SOLENOID, 2POS,3WAY,10V.....120		WHEEL DRIVE,W3 73:1***.....47
VENTURI,BEAM (FORD) ***.....75-76		WHEEL, 22.5 X 11.75 S80.....19, 25-26, 29, 47, 55-56, 59
		WIPER.....227
		WIPER BRACKET, PNTD.....227
		WIPER, RING GEAR.....225
		WIPER,RING GEAR.....225
		WIRE CABLE,12GA/3 CON.TPE JKT*.....133-134, 195, 197
		WIRE CABLE,16/4 CON.TPE JKT....133-134, 155, 191, 195, 197
		WIRE CABLE,18/19 CON.TPRJKT.....133-134
		WIRE CABLE,18GA/19 CON.BNDREX.....133-134, 195, 197
		WIRE LOOM,1.25 DIA.....191
		WIRE LOOM,3/8 POLY SLIT.....191
		WIRE,12/3 SJEOW,BULK,BLK-WHT-G.....195, 197
		WIRING DUCT, 1.5 X 1.5.....133-134
		WLDMT.HYD.,SWIVEL MNT.,S60,S80.....123-124, 127-128
		WLDT,INN FR AXLE LH MACHED.....17, 45

W

WASHER,FENDER,.25 X 1.25 X.062.....137, 139

WASHER,FLAT, 313, HARDENED.....235

WASHER,FLAT,.5 HARDENED...47, 123-124, 127-128

WASHER,FLAT,.625 HARDENED.....25-26, 29, 47, 55-56, 59, 87, 91, 115-116, 123-124, 127-128

WASHER,FLAT,.625 X 2.25 X.15.....87, 89, 103, 105

WASHER,FLAT,.640X1.160X.09.....15, 43

WASHER,FLAT,.75 HARDENED.....123-124, 127-128

Part Description Index (continued)

WLDT,INN FR AXLE RH MACHINED.....17, 45

Z

ZERK,GREASE,1/8 NPT.....137

This Page Intentionally Left Blank

Fitting Cross References

Genie PN	Parker PN	Description	Genie PN	Parker PN	Description
12342	6-4 F5OX-S	CONNECTOR,STRAIGHT THREAD TO FLARE TUBE	42794	1 CR-S	ELBOW,90°,MALE PIPE
13757	4 R6X-S	RUN TEE,SWIVEL NUT,ORFS	42795	BV-0839	BALL VALVE
19685	12-10 C5OX-S	ELBOW,90°,STRAIGHT THREAD TO FLARE TUBE	42796	BV-0838	BALL VALVE
22664	12-10 C5OX	ELBOW,90°,STRAIGHT THREAD TO FLARE TUBE	42874	6-8 CLO-S	ELBOW,90°,MALE PIPE TO ORFS
27431	8-12 F5OX-S	CONNECTOR,STRAIGHT THREAD TO FLARE TUBE	42912	13943-6-4	HOSE END,90° FEMALE SWIVEL,JIC
28678	AS-B-33	SLEEVE,NYLON,1.81" ID	42920	BV-0840	BALL VALVE,90°
39871	6 WETX-WLN-S	UNION,90° BULKHEAD W/NUT,FLARE TUBE	42932	AS-B-17	SLEEVE,NYLON,1.22" ID
39872	4 R5OX-S	RUN TEE,STRAIGHT THREAD	42936	10243-2-4	HOSE END,FEMALE PIPE
39873	6 C5OX-S	ELBOW,90°,STRAIGHT THREAD TO FLARE TUBE	42953	1/2 DD-S	ELBOW,90°,FEMALE PIPE
39874	8-6 C5OX-S	ELBOW,90°,STRAIGHT THREAD TO FLARE TUBE	42956	6 WELO-WLNL-S	UNION,90° BULKHEAD W/NUT,ORFS
39875	4-6 C5OX-S	ELBOW,90°,STRAIGHT THREAD TO FLARE TUBE	45349	8 V5OX-S	ELBOW,45°,STRAIGHT THREAD TO FLARE TUBE
39876	6-8 C5OX-S	ELBOW,90°,STRAIGHT THREAD TO FLARE TUBE	45351	4 V5OX-S	ELBOW,45°,STRAIGHT THREAD TO FLARE TUBE
39877	4 F5OX-S	CONNECTOR,STRAIGHT THREAD TO FLARE TUBE	47223	10343-6-6	HOSE END,MALE,JIC
39878	6 F5OX-S	CONNECTOR,STRAIGHT THREAD TO FLARE TUBE	47419	PS690503-6-6	SWIVEL,90°,STRAIGHT THREAD TO 37° FLARE
39879	4-8 F5OX-S	CONNECTOR,STRAIGHT THREAD TO FLARE TUBE	48750	421-4	HOSE,1/4 INCH ID
39880	6-10 F5OX-S	CONNECTOR,STRAIGHT THREAD TO FLARE TUBE	48751	481TC-4	HOSE,1/4 INCH ID
39881	4-6 F5OX-S	CONNECTOR,STRAIGHT THREAD TO FLARE TUBE	48752	482TC-4	HOSE,1/4 INCH ID
39882	4-HP5ON-S	PLUG,STRAIGHT THREAD	48753	451TC-6	HOSE,3/8 INCH ID
39883	8-8 FTX-S	CONNECTOR,MALE PIPE TO FLARE TUBE	48754	482TC-6	HOSE,3/8 INCH ID
39885	269HB 12-12	ELBOW,90°,BEADED HOSE BARB TO MALE PIPE	48755	381-6	HOSE,3/8 INCH ID
39886	431-6	HOSE,3/8 INCH ID	48756	451TC-8	HOSE,1/2 INCH ID
39887	540N-2	HOSE,1/8 INCH ID	48757	482TC-8	HOSE,1/2 INCH ID
39888	801-8	HOSE,1/2 INCH ID	48758	381-8	HOSE,1/2 INCH ID
39889	801-12	HOSE,3/4 INCH ID	48759	381-10	HOSE,5/8 INCH ID
39890	10643-6-6	HOSE END,FEMALE SWIVEL,JIC	48760	451TC-10	HOSE,5/8 INCH ID
39891	13943-6-6	HOSE END,90° FEMALE SWIVEL,JIC	48761	482TC-12	HOSE,3/4 INCH ID
39892	13743-6-6	HOSE END,45° FEMALE SWIVEL,JIC	48762	451TC-12	HOSE,3/4 INCH ID
39894	30682-8-8	HOSE END,FEMALE SWIVEL,JIC	48763	772-12	HOSE,3/4 INCH ID
39895	30682-10-12	HOSE END,FEMALE SWIVEL,JIC	48764	881-16	HOSE,1 INCH ID
42286	8-8 CTX-S	ELBOW,90°,MALE PIPE TO FLARE TUBE	48765	772-16	HOSE,1 INCH ID
42756	8-12 CLO-S	ELBOW,90,MALE PIPE TO ORFS	48766	AS-B-15	SLEEVE,NYLON,1.06" ID
42757	8-12 FLO-S	CONNECTOR,MALE PIPE TO ORFS	48767	AS-B-22	SLEEVE,NYLON,1.42" ID
42758	4 JLO-S	UNION TEE,ORFS	48770	881-8	HOSE,1/2 INCH ID
42759	4-4 FLO-S	CONNECTOR,MALE PIPE TO ORFS			
42760	6-8 FLO-S	CONNECTOR,MALE PIPE TO ORFS			
42761	1J143-6-4	HOSE END,90° FEMALE SWIVEL,SEAL LOK			
42762	1J743-6-4	HOSE END,45° FEMALE SWIVEL,SEAL LOK			
42768	1JO43-4-4	HOSE END,MALE,SEAL LOK			
42776	601-8	HOSE,1/2 INCH ID			
42777	1J743-16-16	HOSE END,45° FEMALE SWIVEL,SEAL LOK			
42786	16 CLO-S	ELBOW,90°,MALE PIPE TO ORFS			
42787	16 R6LO-S	RUN TEE,SWIVEL NUT,ORFS			
42788	16-8 TRLO-BL-S	REDUCER,TUBE END TO SWIVEL,ORFS			
42789	6-6 CLO-S	ELBOW,90°,MALE PIPE TO ORFS			
42790	8-10 V5OLO-S	ELBOW,45°,STRAIGHT THREAD TO ORFS			
42791	3/4 CD-S	ELBOW,90°,MALE TO FEMALE PIPE			
42792	3/4 X 1/2 PTR-S	REDUCER,MALE TO FEMALE PIPE			
42793	1/2 CR-S	ELBOW,90°,MALE PIPE			

Fitting Cross References (Continued)

Genie PN	Parker PN	Description
48771	881-10	HOSE,5/8 INCH ID
48772	381-4	HOSE,1/4 INCH ID
48773	AS-B-13	SLEEVE,NYLON,.86" ID
48800	1JC43-4-4	HOSE END,FEMALE SWIVEL,SEAL LOK
48801	1J743-4-4	HOSE END,45° FEMALE SWIVEL,SEAL LOK
48802	1J943-4-4	HOSE END,90° FEMALE SWIVEL,SEAL LOK
48804	1JM43-4-4	HOSE END,MALE,SEAL LOK, NO O-RING
48805	10643-4-4	HOSE END,FEMALE SWIVEL,JIC
48806	13943-4-4	HOSE END,90° FEMALE SWIVEL,JIC
48807	1JS43-4-4	HOSE END,FEMALE SWIVEL,SEAL LOK
48808	3JC82-8-8	HOSE END,FEMALE SWIVEL,SEAL LOK
48809	3JC82-12-12	HOSE END,FEMALE SWIVEL,SEAL LOK
48810	1JC43-6-4	HOSE END,FEMALE SWIVEL,SEAL LOK
48811	1J943-6-4	HOSE END,90° FEMALE SWIVEL,SEAL LOK
48812	1JC43-6-6	HOSE END,FEMALE SWIVEL,SEAL LOK
48813	1J143-6-6	HOSE END,90° FEMALE SWIVEL,SEAL LOK
48814	1J543-6-6	HOSE END,90° FEMALE SWIVEL,SEAL LOK
48815	1J743-6-6	HOSE END,45° FEMALE SWIVEL,SEAL LOK
48816	1J943-6-6	HOSE END,90° FEMALE SWIVEL,SEAL LOK
48817	1JS43-6-8	HOSE END,FEMALE SWIVEL,SEAL LOK
48818	1J943-8-4	HOSE END,90° FEMALE SWIVEL,SEAL LOK
48819	1JC43-8-6	HOSE END,FEMALE SWIVEL,SEAL LOK
48820	1J743-8-6	HOSE END,45° FEMALE SWIVEL,SEAL LOK
48821	1J943-8-6	HOSE END,90° FEMALE SWIVEL,SEAL LOK
48822	1JC43-8-8	HOSE END,FEMALE SWIVEL,SEAL LOK
48823	1JS43-8-8	HOSE END,FEMALE SWIVEL,SEAL LOK
48824	1J143-8-8	HOSE END,90° FEMALE SWIVEL,SEAL LOK
48825	1J543-8-8	HOSE END,90° FEMALE SWIVEL,SEAL LOK
48826	1J743-8-8	HOSE END,45° FEMALE SWIVEL,SEAL LOK
48827	1J943-8-8	HOSE END,90° FEMALE SWIVEL,SEAL LOK
48828	1JC43-10-8	HOSE END,FEMALE SWIVEL,SEAL LOK
48829	1JS43-10-8	HOSE END,FEMALE SWIVEL,SEAL LOK
48830	1J743-10-8	HOSE END,45° FEMALE SWIVEL,SEAL LOK
48831	1J943-10-8	HOSE END,90° FEMALE SWIVEL,SEAL LOK
48833	1JC43-10-10	HOSE END,FEMALE SWIVEL,SEAL LOK
48834	1J943-10-10	HOSE END,90° FEMALE SWIVEL,SEAL LOK
48835	1JS43-10-12	HOSE END,FEMALE SWIVEL,SEAL LOK
48836	1JC43-12-8	HOSE END,FEMALE SWIVEL,SEAL LOK
48837	1JS43-12-8	HOSE END,FEMALE SWIVEL,SEAL LOK
48838	1J743-12-8	HOSE END,45° FEMALE SWIVEL,SEAL LOK
48839	1J943-12-8	HOSE END,90° FEMALE SWIVEL,SEAL LOK
48840	1J943-12-10	HOSE END,90° FEMALE SWIVEL,SEAL LOK
48841	1JC43-12-12	HOSE END,FEMALE SWIVEL,SEAL LOK
48842	1JO43-12-12	HOSE END,MALE,SEAL LOK
48843	1J143-12-12	HOSE END,90° FEMALE SWIVEL,SEAL LOK
48844	1J543-12-12	HOSE END,90° FEMALE SWIVEL,SEAL LOK
48845	1J743-12-12	HOSE END,45° FEMALE SWIVEL,SEAL LOK
48846	1J943-12-12	HOSE END,90° FEMALE SWIVEL,SEAL LOK

Genie PN	Parker PN	Description
48847	13943-12-12	HOSE END,90° FEMALE SWIVEL,JIC
48848	10543-12-12	HOSE END,MALE,STRAIGHT THREAD
48849	1JC71-12-12	HOSE END,FEMALE SWIVEL,SEAL LOK
48850	1JS71-12-12	HOSE END,FEMALE SWIVEL,SEAL LOK
48851	1J171-12-12	HOSE END,90° FEMALE SWIVEL,SEAL LOK
48852	1J771-12-12	HOSE END,45° FEMALE SWIVEL,SEAL LOK
48853	1J971-12-12	HOSE END,90° FEMALE SWIVEL,SEAL LOK
48854	1JC43-16-16	HOSE END,FEMALE SWIVEL,SEAL LOK
48855	1J943-16-16	HOSE END,90° FEMALE SWIVEL,SEAL LOK
48856	1J171-16-16	HOSE END,90° FEMALE SWIVEL,SEAL LOK
48857	1J971-16-16	HOSE END,90° FEMALE SWIVEL,SEAL LOK
48859	1JS43-8-4	HOSE END,FEMALE SWIVEL,SEAL LOK
48867	PD36BTL	DIAGNOSTIC NIPPLE,SEAL-LOK SWIVEL
48873	6 PNLO-S	PLUG,TUBE END,ORFS
48874	6 PNTX-S	PLUG,FLARE TUBE
48875	6 R6LO-S	RUN TEE,SWIVEL NUT,ORFS
48877	4 F5OLO-SW/.025	CONNECTOR,STRAIGHT THREAD TO ORFS, W/.025 ORI
48878	16-12 C5OLO-S	ELBOW,90°,STRAIGHT THREAD TO ORFS
48879	8 C6LO-S	ELBOW,90°,SWIVEL NUT ORFS
48880	PD6-285	CAP,DIAGNOSTIC NIPPLE
48881	6 HLO-S	UNION,ORFS
48883	8 P5ON-S	PLUG,STRAIGHT THREAD
48884	8M18F87OMLO-S	CONNECTOR,METRIC,STRAIGHT THREAD TO ORFS
48885	4 WGTX-WLN-S	CONNECTOR,BULKHEAD,FEMALE PIPE TO FLARE TUBE
48886	4 F5OLO-SW/2MM	CONNECTOR,MACHINED STRAIGHT THREAD TO ORFS
48887	4 CTX-S	ELBOW,90°,MALE PIPE TO FLARE TUBE
48888	10-12 V5OLO-S	ELBOW,45°,STRAIGHT THREAD TO ORFS
48890	4 S5OLO-S	BRANCH TEE,STRAIGHT THREAD TO ORFS
48891	4 S6LO-S	BRANCH TEE,SWIVEL NUT TO ORFS

Fitting Cross References (Continued)

Genie PN	Parker PN	Description	Genie PN	Parker PN	Description
48892	6 C6LO-S	ELBOW,90°,SWIVEL NUT ORFS	48938	8 R6LO-S	RUN TEE,SWIVEL NUT,ORFS
48893	6 F5OHAO-S	UNION,STRAIGHT THREAD	48939	8 S6LO-S	BRANCH TEE,SWIVEL NUT TO ORFS
48894	8 WLO-WLNL-S	UNION,BULKHEAD,ORFS	48940	8 WJLO-WLNL-S	RUN TEE, BULKHEAD,ORFS
48895	DT-370-MSMO-5	VALVE,CHECK	48941	8-4 TRLO-S	REDUCER,TUBE END TO SWIVEL,ORFS
48896	6 JLO-S	UNION,TEE,ORFS	48942	8-6 C5OLO-S	ELBOW,90°,STRAIGHT THREAD TO ORFS
48897	DT-750-MSMS-5	VALVE,CHECK	48943	8-6 F5OLO-S	CONNECTOR,STRAIGHT THREAD TO ORFS
48898	DT-750-MOMS-5	VALVE,CHECK	48944	8-8 FLO-S	CONNECTOR,MALE PIPE TO ORFS
48899	DT-620-MOMS-5	VALVE,CHECK	48945	8 FTX-S	CONNECTOR,MALE PIPE TO FLARE TUBE
48900	4-6 F5OLO-SW/.035	CONNECTOR,STRAIGHT THREAD TO ORFS, W/.035 ORI	48946	8-10 F5OLO-S	CONNECTOR,STRAIGHT THREAD TO ORFS
48902	16-1 AOE4G-S	ELBOW,90° LONG,FEMALE PIPE TO STRAIGHT THREAD	48947	8-12 C5OLO-S	ELBOW,90°,STRAIGHT THREAD TO ORFS
48903	1 FF-S	NIPPLE,PIPE	48948	8-12 F5OLO-S	CONNECTOR,STRAIGHT THREAD TO ORFS
48904	4 C5OLO-S	ELBOW,90°,STRAIGHT THREAD TO ORFS	48949	8-16 F5OLO-S	CONNECTOR,STRAIGHT THREAD TO ORFS
48905	4 F5OLO-S	CONNECTOR,STRAIGHT THREAD TO ORFS	48950	10 C5OLO-S	ELBOW,90°,STRAIGHT THREAD TO ORFS
48906	4 R5OLO-S	RUN TEE,STRAIGHT THREAD	48951	10 CC5OLO-S	ELBOW,90° LONG,STRAIGHT THREAD TO ORFS
48907	4 V5OLO-S	ELBOW,45°,STRAIGHT THREAD TO ORFS	48952	10 F5OLO-S	CONNECTOR,STRAIGHT THREAD TO ORFS
48908	4 R6LO-S	RUN TEE,SWIVEL NUT,ORFS	48953	10 R5OLO-S	RUN TEE,STRAIGHT THREAD
48909	4 WJLO-WLNL-S	RUN TEE, BULKHEAD,ORFS	48954	10 S5OLO-S	BRANCH TEE,STRAIGHT THREAD TO ORFS
48910	4 GTX-S W/.030	CONNECTOR,FEMALE PIPE TO FLARE TUBE	48955	10 R6LO-S	RUN TEE,SWIVEL NUT,ORFS
48911	4-6 C5OLO-S	ELBOW,90°,STRAIGHT THREAD TO ORFS	48956	10-4 TRLO-BL-S	REDUCER,TUBE END TO SWIVEL,ORFS
48912	4-6 F5OLO-S	CONNECTOR,STRAIGHT THREAD TO ORFS	48957	10-6 TRLO-BL-S	REDUCER,TUBE END TO SWIVEL,ORFS
48913	4-6 F5OLO-SW/.030	CONNECTOR,STRAIGHT THREAD TO ORFS, W/.030 ORI	48958	10-12 F5OLO-S	CONNECTOR,STRAIGHT THREAD TO ORFS
48914	4-8 F5OLO-S	CONNECTOR,STRAIGHT THREAD TO ORFS	48959	12 C5OLO-S	ELBOW,90°,STRAIGHT THREAD TO ORFS
48915	6 C5OLO-S	ELBOW,90°,STRAIGHT THREAD TO ORFS	48960	12 F5OLO-S	CONNECTOR,STRAIGHT THREAD TO ORFS
48916	6 F5OLO-S	CONNECTOR,STRAIGHT THREAD TO ORFS	48961	12 R5OLO-S	RUN TEE,STRAIGHT THREAD
48917	6 FF5OLO-S	CONNECTOR,LONG,STRAIGHT THREAD TO ORFS	48962	12 S5OLO-S	BRANCH TEE,STRAIGHT THREAD TO ORFS
48918	6 R5OLO-S	RUN TEE,STRAIGHT THREAD	48963	12 V5OLO-S	ELBOW,45°,STRAIGHT THREAD TO ORFS
48919	6 S5OLO-S	BRANCH TEE,STRAIGHT THREAD TO ORFS	48964	12 R6LO-S	RUN TEE,SWIVEL NUT,ORFS
48920	6 V5OLO-S	ELBOW,45°,STRAIGHT THREAD TO ORFS	48965	12 CLO-S	ELBOW,90°,MALE PIPE TO ORFS
48921	6 FLO-S	CONNECTOR,MALE PIPE TO ORFS	48966	12 FLO-S	CONNECTOR,MALE PIPE TO ORFS
48922	6-6 FLO-S	CONNECTOR,MALE PIPE TO ORFS	48967	12 JLO-S	UNION TEE,ORFS
48923	6 P5ON-S	PLUG,STRAIGHT THREAD	48968	12 WLO-WLNL-S	UNION,BULKHEAD,ORFS
48925	6 WELO-S	UNION,90° BULKHEAD,ORFS	48969	12 WJLO-WLNL-S	RUN TEE, BULKHEAD,ORFS
48926	6-4 C5OLO-S	ELBOW,90°,STRAIGHT THREAD TO ORFS	48970	12 WELO-WLNL-S	UNION,90° BULKHEAD W/NUT,ORFS
48927	6-4 F5OLO-S	CONNECTOR,STRAIGHT THREAD TO ORFS			
48928	6-4 V5OLO-S	ELBOW,45°,STRAIGHT THREAD TO ORFS			
48929	6-8 C5OLO-S	ELBOW,90°,STRAIGHT THREAD TO ORFS			
48930	6-8 F5OLO-S	CONNECTOR,STRAIGHT THREAD TO ORFS			
48931	6-10 F5OLO-S	CONNECTOR,STRAIGHT THREAD TO ORFS			
48932	8 C5OLO-S	ELBOW,90°,STRAIGHT THREAD TO ORFS			
48933	8 F5OLO-S	CONNECTOR,STRAIGHT THREAD TO ORFS			
48934	8 FF5OLO-S	CONNECTOR,LONG,STRAIGHT THREAD TO ORFS			
48935	8 R5OLO-S	RUN TEE,STRAIGHT THREAD			
48936	8 S5OLO-S	BRANCH TEE,STRAIGHT THREAD TO ORFS			
48937	8 V5OLO-S	ELBOW,45°,STRAIGHT THREAD TO ORFS			

Fitting Cross References (Continued)

Genie PN	Parker PN	Description	Genie PN	Parker PN	Description
48971	12 G5G5JG5-S	TEE,FEMALE STRAIGHT THREAD	49612	PKT02586	O-RING KIT (ORFS FITTINGS)
48972	12 XHL6-S	ADAPTER, 37° MALE TO SWIVEL ORFS	49613	PKT06276	PLUG AND CAP KIT-SERVICE,ORFS
48973	12-1/2 F5OG-S	ADAPTER,FEMALE PIPE TO STRAIGHT THREAD	49728	10143-12-12	HOSE END, MALE PIPE
48974	12-10 C5OLO-S	ELBOW,90°,STRAIGHT THREAD TO ORFS	49729	16-1 F5OG-S	ADAPTER,FEMALE PIPE TO STRAIGHT THREAD
48975	12-10 F5OLO-S	CONNECTOR,STRAIGHT THREAD TO ORFS	49814	12-8 FLO-S	CONNECTOR,MALE PIPE TO ORFS
48976	12-16 C5OLO-S	ELBOW,90°,STRAIGHT THREAD TO ORFS	49829	DT-500-MOMF-5	VALVE,CHECK
48977	12-16 F5OLO-S	CONNECTOR,STRAIGHT THREAD TO ORFS	49831	881-12	HOSE,3/4 INCH ID
48978	12-16 V5OLO-S	ELBOW,45°,STRAIGHT THREAD TO ORFS	49834	16 JLO-S	UNION TEE,ORFS
48980	12-16 FLO-S	CONNECTOR,MALE PIPE TO ORFS	49838	12-8 TRLO-BL-S	REDUCER,TUBE END TO SWIVEL,ORFS
48983	16 C5OLO-S	ELBOW,90°,STRAIGHT THREAD TO ORFS	49840	8 JLO-S	UNION TEE,ORFS
48984	16 F5OLO-S	CONNECTOR,STRAIGHT THREAD TO ORFS	49844	10-8 TRLO-BL-S	REDUCER,TUBE END TO SWIVEL,ORFS
48985	16 V5OLO-S	ELBOW,45°,STRAIGHT THREAD TO ORFS	49854	8 P5ON-S	PLUG,STRAIGHT THREAD
48986	16 FLO-S	CONNECTOR,MALE PIPE TO ORFS	49855	1JC43-16-12	HOSE END,FEMALE SWIVEL,SEAL LOK
48988	16 CD45-S	ELBOW,45°,MALE TO FEMALE PIPE	49859	4 P5ON-S	PLUG,STRAIGHT THREAD
48989	12 CD45-S	ELBOW,45°,MALE TO FEMALE PIPE	49861	4 FF5OLO-S	CONNECTOR,LONG,STRAIGHT THREAD TO ORFS
48990	8 CD45-S	ELBOW,45°,MALE TO FEMALE PIPE	49867	12-3/4 F5OG-S	ADAPTER,FEMALE PIPE TO STRAIGHT THREAD
48991	16-12 FLO-S	CONNECTOR,MALE PIPE TO ORFS	51152	6 R6X-S	RUN TEE,SWIVEL NUT,ORFS
48992	16-12 V5OLO-S	ELBOW,45°,STRAIGHT THREAD TO ORFS	51153	6-4 TRTX-S	REDUCER,TUBE END TO SWIVEL,ORFS
48993	XV501-12	BALL VALVE	51154	4-4 GTX	CONNECTOR,FEMALE PIPE TO FLARE TUBE
48994	XV501-16	BALL VALVE	51264	881-12	HOSE,3/4 INCH ID
48995	XV510P-12	BALL VALVE	51265	8 JLO-S	UNION TEE,ORFS
48996	XV510P-16	BALL VALVE	51508	6 BTX-S	NUT,FLARE TUBE
48997	PD341	DIAGNOSTIC NIPPLE, STRAIGHT THREAD	51580	12-8 TRLO-BL-S	TUBE END REDUCER,ORFS
48998	PD 361	DIAGNOSTIC NIPPLE, STRAIGHT THREAD	51628	6 R6X-S	RUN TEE,SWIVEL NUT,ORFS
48999	DT-500-MOMS-5	VALVE,CHECK	51735	3/8 HHP	PLUG,PIPE THREAD
49201	10 V5OLO-S	ELBOW,45°,STRAIGHT THREAD TO ORFS	51803	1J943-6-8	HOSE END,90° FEMALE SWIVEL,SEAL LOK
49202	1JC43-12-10	HOSE END,FEMALE SWIVEL,SEAL LOK	53023	125HBL-5-4	FITTING,HOSE BARB TO MALE PIPE
49203	10-8 V5OLO-S	ELBOW,45°,STRAIGHT THREAD TO ORFS	53497	PKT02585	O-RING KIT
49205	6 F5OHAO-S	UNION,STRAIGHT THREAD	53499	1JC71-16-16	HOSE END,FEMALE SWIVEL,SEAL LOK
49207	PD34BTL	DIAGNOSTIC NIPPLE,SEAL-LOK SWIVEL	53500	3-904	O-RING,STRAIGHT THREAD,-4
49209	8M18F870MX-S	CONNECTOR,METRIC,STRAIGHT THREAD TO FLARE TUBE	53501	3-906	O-RING,STRAIGHT THREAD,-6
49212	8 WGTX-WLN-S	CONNECTOR,BULKHEAD,FEMALE PIPE TO FLARE TUBE	53502	3-908	O-RING,STRAIGHT THREAD,-8
49213	30682-8-8	HOSE END,FEMALE SWIVEL,JIC	53503	3-910	O-RING,STRAIGHT THREAD,-10
49216	831-8	HOSE,1/2 INCH ID			
49217	33982-8-8	HOSE END,90° FEMALE SWIVEL,JIC			
49219	PS-B-35	SLEEVE,NYLON,2.19" ID			
49418	4-6 V5OLO-S	ELBOW,45°,STRAIGHT THREAD TO ORFS			
49511	DT370-MOMS-5	VALVE,CHECK			
49512	1 DD-S	ELBOW,90°,FEMALE PIPE			
49513	1 FF-S	NIPPLE,PIPE			
49514	10 HP5ON-S	PLUG,STRAIGHT THREAD			
49515	12-16 CLO-S	ELBOW,90°,MALE PIPE TO ORFS			
49517	6 HP5ON-S	PLUG,STRAIGHT THREAD			
49519	16-12 F5OLO-S	CONNECTOR,STRAIGHT THREAD TO ORFS			
49520	4 VTX-S	ELBOW,45°,MALE PIPE TO FLARE TUBE			
49530	16 C6LO-S	ELBOW,90°,SWIVEL NUT ORFS			

Fitting Cross References (Continued)

Genie PN	Parker PN	Description	Genie PN	Parker PN	Description
53535	3-912	O-RING, STRAIGHT THREAD, -12	61083	24 F5OLO-S	CONNECTOR, STRAIGHT THREAD TO ORFS
53536	4-PNLO-S	PLUG, TUBE END, ORFS	61086	20 R5OLO-S	RUN TEE, STRAIGHT THREAD
53537	6 PNLO-S	PLUG, TUBE END, ORFS	61090	24-20 F5OLO-S	CONNECTOR, STRAIGHT THREAD TO ORFS
53538	8 PNLO-S	PLUG, TUBE END, ORFS	61091	1J943 24-24	HOSE END, 90° FEMALE SWIVEL, SEAL LOK
53539	10 PNLO-S	PLUG, TUBE END, ORFS	61093	1J978-12-12	HOSE END, 90° FEMALE SWIVEL, JIC
53540	12 PNLO-S	PLUG, TUBE END, ORFS	61095	1JS43-20-16	HOSE END, FEMALE SWIVEL, SEAL LOK
53946	129HB-5-4	FITTING, 90° HOSE BARB TO MALE PIPE	61100	811-24	HOSE, 1 1/2 INCH ID
53951	8-1/4F50G-S	ADAPTER, FEMALE PIPE TO STRAIGHT THREAD	61130	1JS43-24-24	HOSE END, FEMALE SWIVEL, SEAL LOK
53980	6 S6LO-S	BRANCH TEE, SWIVEL NUT TO ORFS	61131	1JS78 12-12	HOSE END, FEMALE SWIVEL, SEAL LOK
54132	4 C6LO-S	ELBOW, 90°, SWIVEL NUT ORFS	61132	1J778-12-12	HOSE END, 45° FEMALE SWIVEL, JIC
54135	11343-16-16	HOSE END, MALE SWIVEL, PIPE	61152	139HB-6-4	ELBOW, 45°, BARB TO MALE PIPE
54283	8-10 C5OLO-S	ELBOW, 90°, STRAIGHT THREAD TO ORFS	61251	BV-0750	BALL VALVE
54428	8M18C870MLO-S	ELBOW, 90° METRIC, STRAIGHT THREAD TO ORFS	61259	4 CC5OLO-S	ELBOW, 90° LONG, STRAIGHT THREAD TO ORFS
54803	FS-F-16-10	SLEEVE, FIRE, .96" ID	61260	20-12 TRLO-BL	REDUCER, TUBE END TO SWIVEL, ORFS
54954	10143-2-4	HOSE END, MALE PIPE	61262	12 C6LO-S	ELBOW, 90°, SWIVEL NUT ORFS
55190	3/8 HP-S	PLUG, PIPE THREAD	61263	20 F5OHAO-S	UNION, STRAIGHT THREAD
55448	8 HLO-S	UNION, ORFS	61264	6-10 C5OLO-S	ELBOW, 90°, STRAIGHT THREAD TO ORFS
55839	6 F65OX-S	CONNECTOR, STRAIGHT THREAD TO 37° SWIVEL	61265	6 WNLO-WLNL-S	UNION, BULKHEAD 45°, ORFS
55968	10 C5OX-S	ELBOW, 90°, STRAIGHT THREAD TO FLARE TUBE	61268	4 WNLO-WLNL-S	UNION, BULKHEAD 45°, ORFS
56003	6 CC5OLO-S	ELBOW, 90° LONG, STRAIGHT THREAD TO ORFS	61269	4 WLO-WLNL-S	UNION, BULKHEAD, ORFS
56166	BV-0837	BALL VALVE, 90°	61272	12 AOEL6	ELBOW, 90°, STRAIGHT THREAD TO ORFS SWIVEL
56188	10143-8-6	HOSE END, MALE PIPE	61316	482TC-16	HOSE, 1 INCH ID
56233	2-011	O-RING, ORFS, -4	61321	6 JLO-S	UNION TEE, ORFS
56234	2-012	O-RING, ORFS, -6	61327	782-12	HOSE, 3/4 INCH ID
56235	2-014	O-RING, ORFS, -8	61328	881-24	HOSE, 1 1/2 INCH ID
56236	2-016	O-RING, ORFS, -10	61336	11943-20-24	HOSE END, 90° FLANGE HEAD
56237	2-018	O-RING, ORFS, -12	61345	12 WJLO-WLNL-S	RUN TEE, BULKHEAD, ORFS
56238	2-021	O-RING, ORFS, -16	61346	8 WNLO-WLNL-S 4	UNION, BULKHEAD 45°, ORFS
56352	6 WLNL-S	LOCKNUT, BULKHEAD	61569	33782-8-8	HOSE END, 45° FEMALE SWIVEL, JIC
56353	3J782-12-12	HOSE END, 45° FEMALE SWIVEL, SEAL LOK	61610	12 FF5OLO-S	CONNECTOR, LONG, STRAIGHT THREAD TO ORFS
56354	3J982-12-12	HOSE END, 90° FEMALE SWIVEL, SEAL LOK	61742	1/8 X 1.5 FFF	NIPPLE, PIPE
56604	10-8 F5OLO-S	CONNECTOR, STRAIGHT THREAD TO ORFS	63426	8 PNTX-S	PLUG, FLARE TUBE
56639	3JC82-10-10	HOSE END, FEMALE SWIVEL, SEAL LOK			
56640	3J982-10-10	HOSE END, 90° FEMALE SWIVEL, SEAL LOK			
56655	3JC82-8-10	HOSE END, FEMALE SWIVEL, SEAL LOK			
56676	10-8 C5OLO-S	ELBOW, 90°, STRAIGHT THREAD TO ORFS			
56776	471TC-6	HOSE, 3/8 INCH ID			
56777	471TC-8	HOSE, 1/2 INCH ID			
56789	811-16	HOSE, 1 INCH ID			
57884	3/8 FF	NIPPLE, PIPE			
59335	6 FNL-S	CAP, TUBE END			
59342	4 FNL-S	CAP, TUBE END			
59371	8 HP5ON-S	PLUG, STRAIGHT THREAD			
60653	BV-0751	BALL VALVE			
60806	125HB-3-4	FITTING, HOSE BARB TO MALE PIPE			
61064	5-1/4 F50G-S	ADAPTER, FEMALE PIPE TO STRAIGHT THREAD			
61079	4 WELO-WLNL-S	UNION, 90° BULKHEAD W/NUT, ORFS			
61080	6 WLO-WLNL-S	UNION, BULKHEAD, ORFS			

Fitting Cross References (Continued)

Genie PN	Parker PN	Description	Genie PN	Parker PN	Description
64271	4 WLO-WLNL-S	UNION,BULKHEAD,ORFS	75631	801-6	HOSE,3/8 INCH ID
64272	6 WLO-WLNL-S	UNION,BULKHEAD,ORFS	75654	20 F5OLO-S	CONNECTOR,STRAIGHT THREAD TO ORFS
65776	8 F65OL-S	CONNECTOR,STRAIGHT THREAD TO ORFS SWIVEL	75655	1J943-20-20	HOSE END,90° FEMALE SWIVEL,SEAL LOK
65880	6001012	O-RING KIT	75656	881-20	HOSE,1-1/4 INCH ID
66154	6 WTX-WLNS	UNION,BULKHEAD,FLARE TUBE	75971	8 F5OHAO-S	UNION,STRAIGHT THREAD
66155	6 WETX-S	UNION,BULKHEAD 90°,FLARE TUBE	77307	1JB43-8-8	HOSE END,BULKHEAD,SEAL LOK
66156	6 WLN-S	BULKHEAD LOCKNUT	77309	8 WLNL-S	BULKHEAD LOCKNUT
66389	6-8 F5OX-S	CONNECTOR,STRAIGHT THREAD TO FLARE TUBE	77379	8M18C87OMX-S	ELBOW,90° METRIC,STRAIGHT THREAD TO FLARE TUBE
66392	6 R5OX-S	RUN TEE,STRAIGHT THREAD	77703	3J982-8-8	HOSE END,90° FEMALE SWIVEL,SEAL LOK
66396	811-12	HOSE,3/4 INCH ID	77711	801-10	HOSE,5/8 INCH ID
66829	H3174PP	CLAMP,TUBE	77758	12 WNLO-WLNL-S	UNION,BULKHEAD 45°,ORFS
67217	4 KLO-S	UNION,CROSS,ORFS	78091	6 C6X-S	ELBOW,90°,SWIVEL NUT TO FLARE TUBE
67339	10-6 F5OX-S	CONNECTOR,STRAIGHT THREAD TO FLARE TUBE	78684	30582-8-8B	HOSE END,PUSH LOK,MALE
67357	13943-8-6	HOSE END,90° FEMALE SWIVEL,JIC	78852	549-2	HOSE,1/8 INCH ID
67358	10 HP5ON-S	PLUG,STRAIGHT THREAD	78855	10657-4-2	HOSE END,FEMALE SWIVEL,JIC
67371	12 S6LO-S	BRANCH TEE,SWIVEL NUT TO ORFS	79138	PS-B-37	SLEEVE,NYLON,2.38" ID
67498	4 FNL-S	CAP, TUBE END	79476	1JS43-6-8	HOSE END,FEMALE SWIVEL,SEAL LOK
67906	DC-370-F0F0-5	VALVE,CHECK	79847	12-3/4 A0EG-S	ELBOW,90°,STRAIGHT THREAD TO FEMALE PIPE
69316	8 FLO-S	CONNECTOR,MALE PIPE TO ORFS	80044	8 CLO-S	ELBOW,90°,MALE PIPE TO ORFS
69333	H3174PP	CLAMP,HYDRAULIC HOSE	80502	8 F5OX-S	CONNECTOR,STRAIGHT THREAD TO FLARE TUBE
69503	4 F65OX-S	CONNECTOR,STRAIGHT THREAD TO 37° SWIVEL	80503	8 C5OX-S	ELBOW,90°,STRAIGHT THREAD TO FLARE TUBE
69775	8 FNL-S	CAP, TUBE END	81010	AS-B-27	SLEEVE,NYLON,1.63" ID
71038	1/4X1/4F3HG-S	ADAPTER,CONVERSION	83052	821-6	HOSE,3/8 INCH ID
71196	12-8 F5OLO-S	CONNECTOR,STRAIGHT THREAD TO ORFS	83053	821-8	HOSE,1/2 INCH ID
71383	1/4 CD45-S	ELBOW,45°,MALE TO FEMALE PIPE	83054	821-12	HOSE,3/4 INCH ID
72270	12FNL-S	CAP, TUBE END	83055	30682-6-6	HOSE END,FEMALE SWIVEL,JIC
73436	60C-4	SLEEVE,COMPRESSION	83056	30682-12-12	HOSE END,FEMALE SWIVEL,JIC
73437	61C-4	NUT,COMPRESSION	83057	33782-6-6	HOSE END,45° FEMALE SWIVEL,JIC
73438	33482-4-4B	HOSE END,PUSH LOK,MALE	83058	33982-6-6	HOSE END,90° FEMALE SWIVEL,JIC
73767	1CD-S	ELBOW,90°,MALE TO FEMALE PIPE	83060	33982-12-12	HOSE END,90° FEMALE SWIVEL,JIC
73768	20-16-F5OG5-S	ADAPTER,FEMALE PIPE TO STRAIGHT THREAD	83063	13743-4-4	HOSE END,45° FEMALE SWIVEL,JIC
73769	16-20 F5OLO-S	CONNECTOR,STRAIGHT THREAD TO ORFS			
74660	6-8 F42EDMLO-S	CONNECTOR,MALE BSPP TO ORFS			
74661	8-8 F42EDMLO-S	CONNECTOR,MALE BSPP TO ORFS			
75007	4 FLO-S	CONNECTOR,MALE PIPE TO ORFS			
75008	1/8 HP-S	PLUG,PIPE THREAD			
75014	1/2 HP-S	PLUG,PIPE THREAD			
75042	8 WELO-WLNL-S	UNION,90° BULKHEAD W/NUT,ORFS			
75043	3/4 FF-S	NIPPLE,PIPE			
75254	24 F5OHAO-S	UNION,STRAIGHT THREAD			
75255	12 F5OHAO-S	UNION,STRAIGHT THREAD			
75256	XV506P-24	BALL VALVE			
75574	4 WLNL-S	BULKHEAD LOCKNUT			
75612	8 WJLO-WLNL-S	RUN TEE, BULKHEAD,ORFS			
75613	12-8 F5OG5-S	ADAPTER,FEMALE PIPE TO STRAIGHT THREAD			
75614	8 CC5OLO-S	ELBOW,90° LONG,STRAIGHT THREAD TO ORFS			
75628	1JB43-4-4	HOSE END,BULKHEAD,SEAL LOK			

Fitting Cross References (Continued)

Genie PN	Parker PN	Description	Genie PN	Parker PN	Description
83064	13743-8-8	HOSE END,45° FEMALE SWIVEL,JIC	89449	6 WJLO-WLNL-S	RUN TEE, BULKHEAD,ORFS
83065	13743-12-12	HOSE END,45° FEMALE SWIVEL,JIC	89489	4 WJMLO-S	BRANCH TEE,BULKHEAD,ORFS
83066	13943-8-8	HOSE END,90° FEMALE SWIVEL,JIC	89551	1JB43-6-6	HOSE END,BULKHEAD,SEAL LOK
83067	14143-6-6	HOSE END,90° FEMALE SWIVEL,JIC	89552	1JB43-8-8	HOSE END,BULKHEAD,SEAL LOK
83068	14143-8-8	HOSE END,90° FEMALE SWIVEL,JIC	89593	20 C5OLO-S	ELBOW,90°,STRAIGHT THREAD TO ORFS
83069	14143-12-12	HOSE END,90° FEMALE SWIVEL,JIC	94161	8-8 CLO-S	ELBOW,90°,MALE PIPE TO ORFS
83070	772-8	HOSE,1/2 INCH ID	94358	351TC-12	HOSE,3/4 INCH ID
83071	10671-8-8	HOSE END,FEMALE SWIVEL,JIC	94418	20 FLO-S	CONNECTOR,MALE PIPE TO ORFS
83072	10671-12-12	HOSE END,FEMALE SWIVEL,JIC	96358	12 TX-S	SLEEVE,FLARE TUBE
83073	13771-8-8	HOSE END,45° FEMALE SWIVEL,JIC	96359	12 BTX-S	NUT,FLARE TUBE
83074	13771-12-12	HOSE END,45° FEMALE SWIVEL,JIC	96397	8 F5OX-S	CONNECTOR,STRAIGHT THREAD TO FLARE TUBE
83075	13971-8-8	HOSE END,90° FEMALE SWIVEL,JIC	96398	12-8 F5OX-S	CONNECTOR,STRAIGHT THREAD TO FLARE TUBE
83076	13971-12-12	HOSE END,90° FEMALE SWIVEL,JIC	96402	10343-6-6	HOSE END,MALE,JIC
83077	14171-8-8	HOSE END,90° FEMALE SWIVEL,JIC	96407	30382-6-6B	HOSE END,MALE,JIC
83078	14171-12-12	HOSE END,90° FEMALE SWIVEL,JIC			
83080	13943-16-16	HOSE END,90° FEMALE SWIVEL,JIC			
83103	10671-16-12	HOSE END,FEMALE SWIVEL,JIC			
83104	10671-10-12	HOSE END,FEMALE SWIVEL,JIC			
83112	1JC71-8-8	HOSE END,FEMALE SWIVEL,SEAL LOK			
83113	1JS71-16-12	HOSE END,FEMALE SWIVEL,SEAL LOK			
83114	1JS71-10-12	HOSE END,FEMALE SWIVEL,SEAL LOK			
83115	1J971-8-8	HOSE END,90° FEMALE SWIVEL,SEAL LOK			
83116	1J171-8-8	HOSE END,90° FEMALE SWIVEL,SEAL LOK			
83117	1J771-8-8	HOSE END,45° FEMALE SWIVEL,SEAL LOK			
83127	1J543-6-8	HOSE END,90° FEMALE SWIVEL,JIC			
83128	1JC43-6-8	HOSE END,FEMALE SWIVEL,SEAL LOK			
87033	12-6 TRLO-S	REDUCER,TUBE END TO SWIVEL,ORFS			
87034	3J782-8-8	HOSE END,45° FEMALE SWIVEL,SEAL LOK			
87172	12 HP5ON-S	PLUG,STRAIGHT THREAD			
87185	8 WNLO-WLNL-S	UNION,BULKHEAD 45°,ORFS			
87246	4 C6X-S	ELBOW,90°,SWIVEL NUT TO FLARE TUBE			
87679	6 LHP-S	FLANGE SEAL FITTING, MALE			
87681	6PLS N0702	BONDED SEAL			
88100	SR88100	ADAPTER,OIL DRAIN,GM 3.0L			
88311	1JS43-20-20	HOSE END,FEMALE SWIVEL,SEAL LOK			
88353	20 V5OLO-S	ELBOW,45°,STRAIGHT THREAD TO ORFS			
88474	10081-20	Crimp Shell, 1.25"			
88475	1988-20-24	HOSE END,90° FLANGE HEAD			
88476	JS88-24-24	HOSE END,FEMALE SWIVEL,SEAL LOK			
88477	1JC88-20-20	HOSE END,FEMALE SWIVEL,SEAL LOK			
88478	811-20	HOSE,11/4 INCH ID			
88936	20-16 F5OLO-S	CONNECTOR,STRAIGHT THREAD TO ORFS			
88937	20-16 FLO-S	CONNECTOR,MALE PIPE TO ORFS			
88938	1JC88-16-16	HOSE END,FEMALE SWIVEL,SEAL LOK			
88939	1J988-16-16	HOSE END,90° FEMALE SWIVEL,ORFS			
88940	811-16	HOSE,1 INCH ID			
88944	1J988-20-20	HOSE END,90° FEMALE SWIVEL,ORFS			
89403	16 VLO-S	ELBOW,45°,MALE PIPE TO ORFS			

California Proposition 65

Warning

The exhaust from this product contains chemicals known to the State of California to cause cancer, birth defects or other reproductive harm.

Genie North America

Phone 425.881.1800
Toll Free USA and Canada
800.536.1800
Fax 425.883.3475

Genie Australia Pty Ltd.

Phone +61 7 3375 1660
Fax +61 7 3375 1002

Genie China

Phone +86 21 53852570
Fax +86 21 53852569

Genie Malaysia

Phone +65 98 480 775
Fax +65 67 533 544

Genie Japan

Phone +81 3 3453 6082
Fax +81 3 3453 6083

Genie Korea

Phone +82 25 587 267
Fax +82 25 583 910

Genie Brasil

Phone +55 11 41 665 755
Fax +55 11 41 665 754

Genie Holland

Phone +31 183 581 102
Fax +31 183 581 566

Genie Scandinavia

Phone +46 31 575100
Fax +46 31 579020

Genie France

Phone +33 (0)2 37 26 09 99
Fax +33 (0)2 37 26 09 98

Genie Iberica

Phone +34 93 579 5042
Fax +34 93 579 5059

Genie Germany

Phone +49 (0)4202 88520
Fax +49 (0)4202 8852-20

Genie U.K.

Phone +44 (0)1476 584333
Fax +44 (0)1476 584334

Genie Mexico City

Phone +52 55 5666 5242
Fax +52 55 5666 3241

Distributed By:

Parts Manual

S-80,S-85

from SN 966 to 3081

Part No.
65615

Rev E27

Genie
A TEREX BRAND